

Resistive Linear Position Transducer

LPT



- Measuring range 30mm – 1250mm
- Long mechanical life 100.000.000 cycles
- Excellent repeatability
- Very low temperature drift
- Infinite resolution

Main Applications

Plastic/ Metal Injection Moulding Machineries, Textile Machineries, Transfer/ Hydraulic Machineries, Marble/ Stone Machineries and General Automation Applications

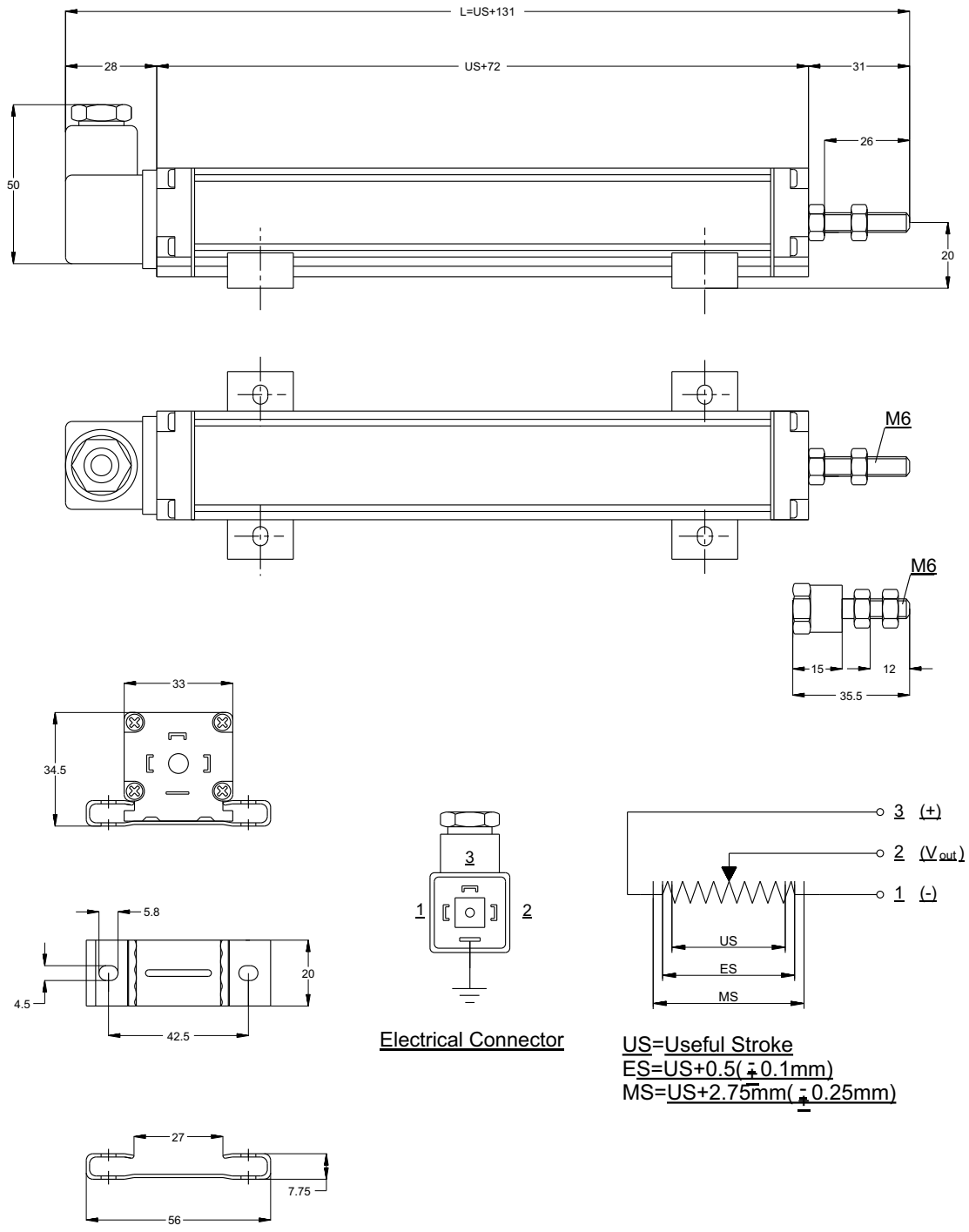
Specifications

Mechanical stroke	30mm to 1250mm
Linearity	± %0,05
Resolution	Infinite
Resistance output	5 Kohm or 10 Kohm
Resistance tolerance	± %20
Load resistance	Min. 100 Kohm
Repeatability	≤ %0.01
Mechanical life	100 * 10 ⁶ Cycles
Displacement speed	≤ 5 m/s
Permissible applied voltage	28 VDC max
Recommended cursor current	< 1 µA
Electrical connections	4 Pole connector
Case dimensions	33mm x 33mm
Case material	Anodized aluminium
Rod diameter	6mm
Rod material	Stainless steel
IP Degree	IP 65
Working temperature	- 20 / + 80 °C
Mechanical fixing	Variable brackets

Dimensions

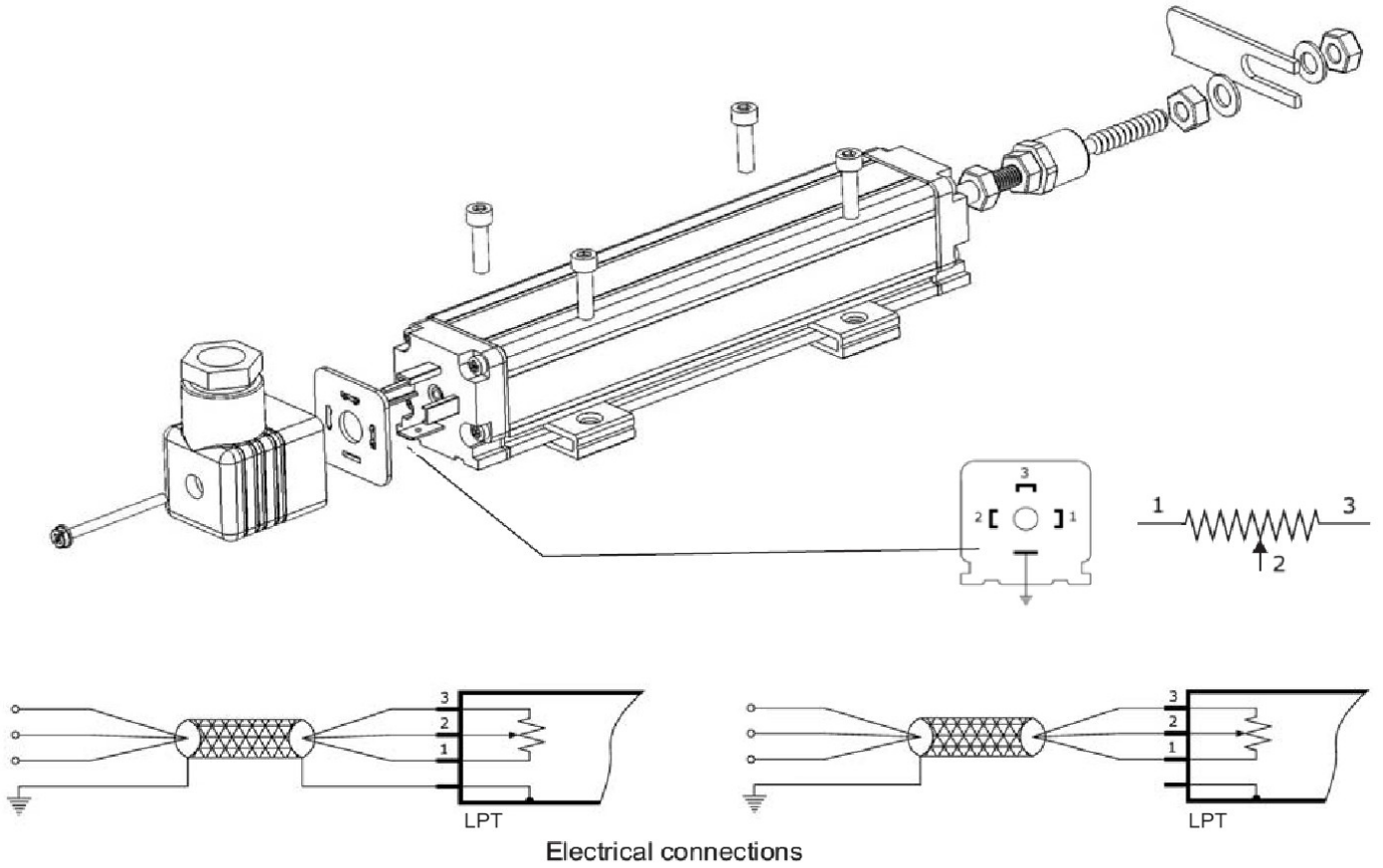
Model	LM	Mechanical stroke (MS)	Electrical measuring stroke (EMS)	Total lengt (L)
LPT	30	32mm	30mm	161mm
LPT	50	52mm	50mm	181mm
LPT	75	77mm	75mm	206mm
LPT	100	102mm	100mm	231mm
LPT	125	127mm	125mm	399mm
LPT	130	132mm	130mm	261mm
LPT	150	152mm	150mm	281mm
LPT	175	177mm	175mm	306mm
LPT	200	202mm	200mm	331mm
LPT	225	227mm	225mm	356mm
LPT	250	252mm	250mm	381mm
LPT	275	277mm	275mm	406mm
LPT	300	302mm	300mm	431mm
LPT	325	327mm	325mm	456mm
LPT	350	352mm	350mm	481mm
LPT	375	377mm	375mm	506mm
LPT	400	402mm	400mm	531mm
LPT	450	452mm	450mm	581mm
LPT	500	502mm	500mm	631mm
LPT	550	552mm	550mm	681mm
LPT	600	602mm	600mm	731mm
LPT	650	652mm	650mm	781mm
LPT	700	702mm	700mm	831mm
LPT	750	752mm	750mm	881mm
LPT	800	802mm	800mm	931mm
LPT	850	852mm	850mm	981mm
LPT	900	902mm	900mm	1031mm
LPT	1000	1002mm	1000mm	1131mm
LPT	1250	1252mm	1250mm	1381mm

DIMENSIONS



Electrical Connector

US=Useful Stroke
ES=US+0.5(±0.1mm)
MS=US+2.75mm(±0.25mm)

User Guide

- Ürün açılmadan muhafaza edildiği sürece garanti kapsamındadır. Ürünün herhangi bir vidasını açmak garantiye yönelik tüm talepleri geçersiz kılar.
Warranty claims can only be valid if the unit is kept unopened.
Opening any of the screws on the body will cancel all warranty claims.
- Kullanıcılar ürünün yanlış kullanılmasından kaynaklanabilecek zararlardan sorumludur.
Users are responsible for any damage caused by misuse of the transducer.
- Unutmamak gerekir ki; milin yanlış merkezlenmesi ürüne kalıcı zararlar verebilir ve ürünün mekanik ömrünü ciddi ölçüde azaltır.
Users are reminded that wrong centering of the rod may cause permanent damage to the transducer and it would decrease the mechanical life of the transducer dramatically.

