



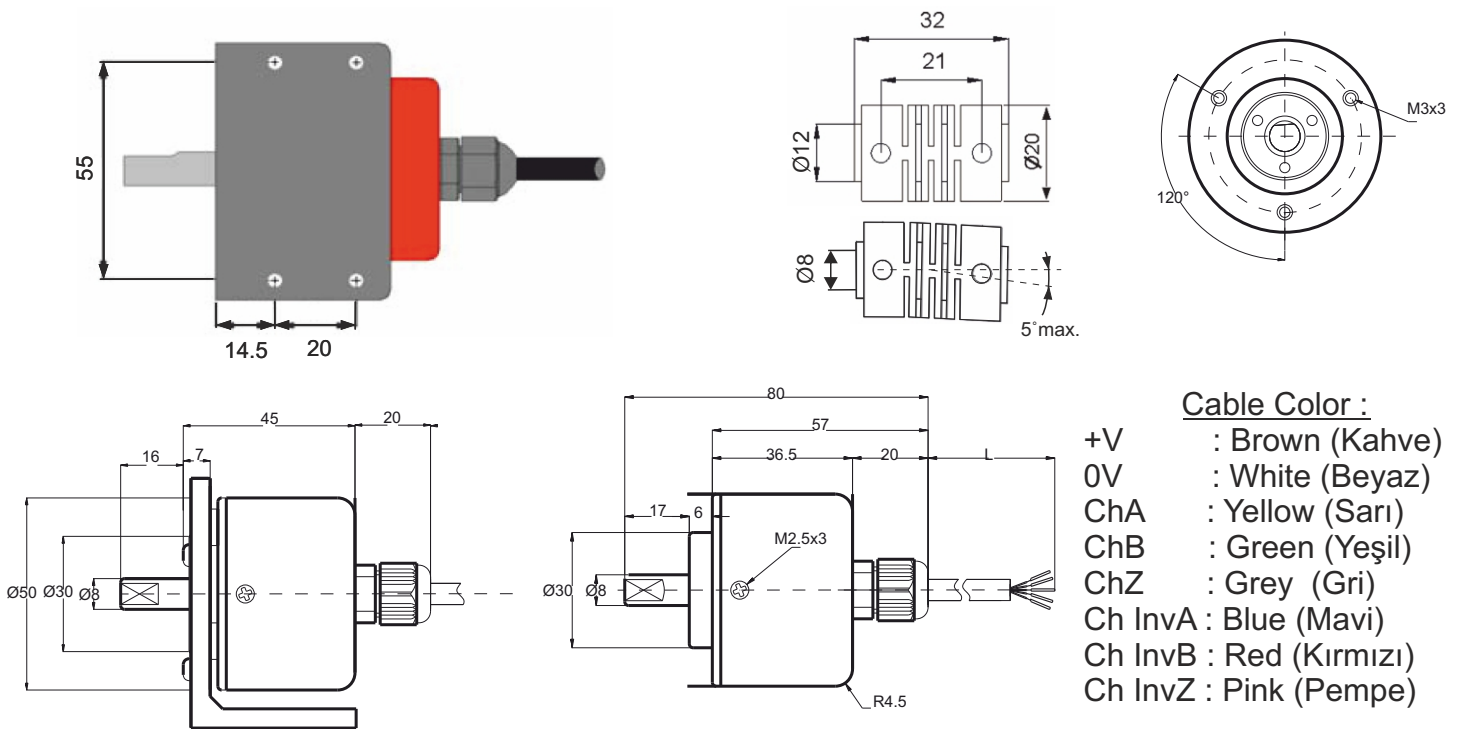
- Ø 50 mm
- Optical rotary
- Incremental 100-200-360-400-500
600-720-1000-1024-1800
2000-2048-2500-3600
4000-4096-5000 pulse / turn

Main Applications

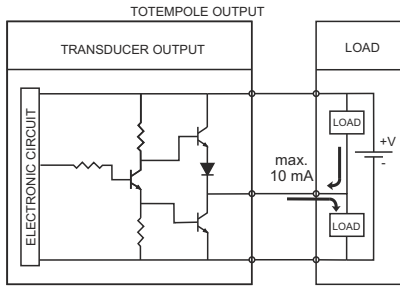
Position/ Angle Measurement Applications for Automation Systems

Specifications

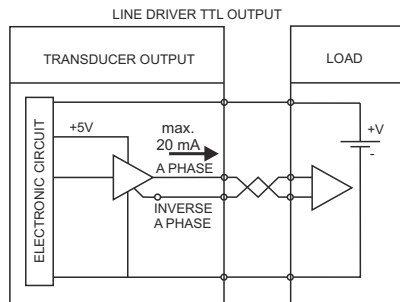
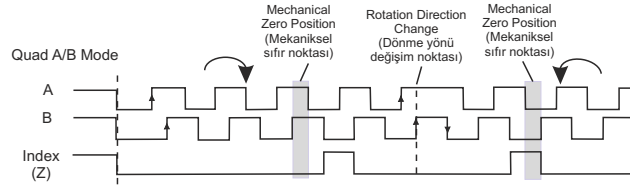
Case Diameter	Ø 50 mm
Rod Diameter	Ø 6,8 mm
Case Material	Aluminium and steel
Rod Material	Stainless Steel
Measurement Type	Optical
Output Type	TP (push-pull), TTL LineDriver , HTL Linedriver
Supply Voltage	5V, 8-24V, or 5-30V DC
Maximum Speed	4000 rpm
Working Temperature	-20.....+80 °C
Electrical Connection	2.5 m Cable (Standard)



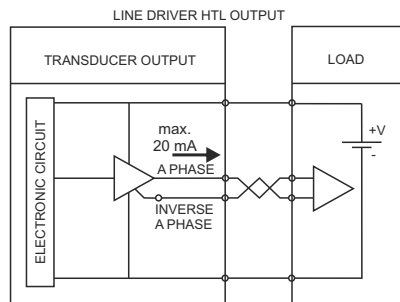
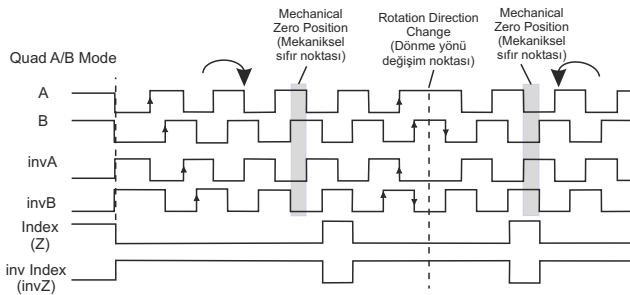
PRI	50	TP	360	Z	V2	2M5
Model	Case Diameter	Output Type TP = Totempole TT = TTL LD= Line Driver HLD= High Line Driver	Resolution 100-200-360-400-500 720-1000-1024-1800 2000-2048-2500-3600 4000-4096-5000 pulse/turn	Output Signal B:AB Z: A, B, Z or ZZ : AA',BB',ZZ'	Supply Voltage V1: 5V V2: 8-24V or V3: 5-30V	Cable length 2.5 metre (Standard)



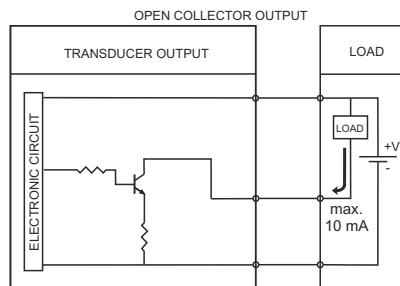
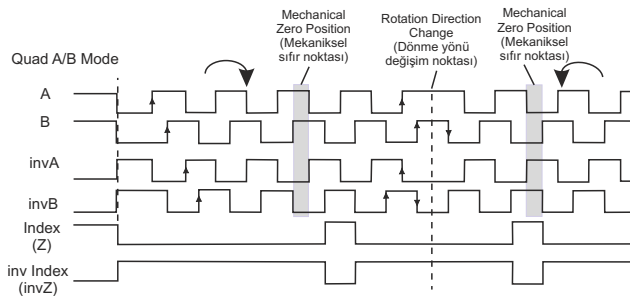
Supply Voltage : 8-24 VDC
Output Current : max. 10 mA



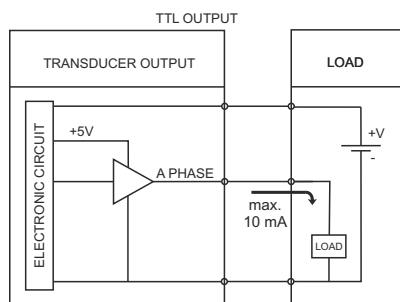
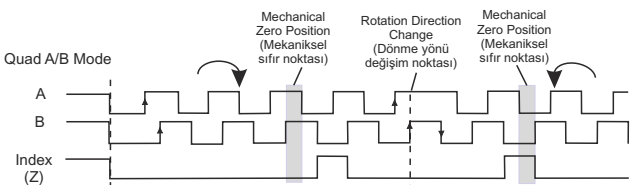
Supply Voltage : 5 VDC or 8-24 VDC
Output Voltage : 5 VDC



Supply Voltage : 8-24 VDC
Output Voltage : Supply Voltage



Supply Voltage : 8-24 VDC or 5 VDC
Output Current : max. 10 mA



Supply Voltage : 5 VDC or 8-24 VDC
Output Voltage : 5 VDC

