

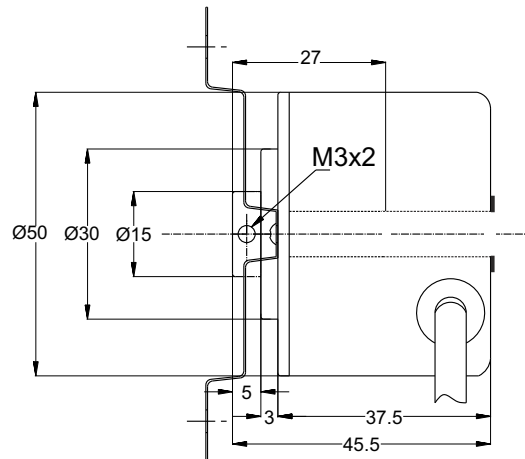
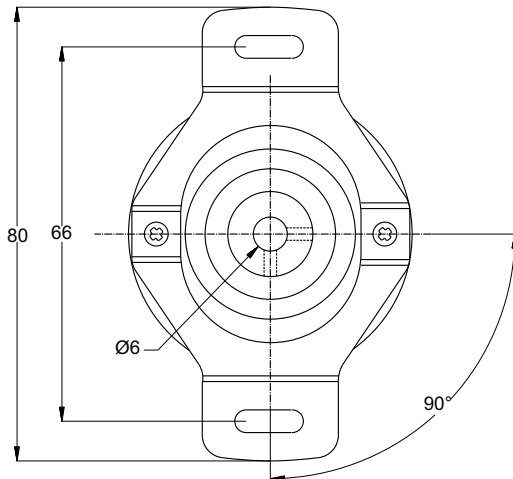
- Ø 50 mm
- Optical rotary
- Incremental 100-200-360-400-500
600-720-1000-1024-1800
2000-2048-2500-3600
4000-4096-5000 pulse / turn
- Hollow Shaft 6,8 mm

Main Applications

Position/ Angle Measurement Applications for Automation Systems

Specifications

Case Diameter	Ø 50 mm
Hollow Diameter	Ø 6,8 mm
Case Material	Aluminium and steel
Rod Material	Stainless Steel
Measurement Type	Optical
Output Type	TP (push-pull), TTL LineDriver , HTL Linedriver
Supply Voltage	5V, 8-24V, or 5-30V DC
Maximum Speed	4000 rpm
Working Temperature	-20.....+80 °C
Electrical Connection	2.5 m Cable (Standard)

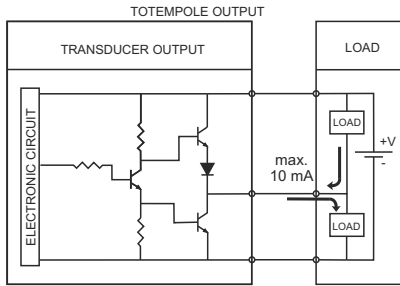


Cable Color :

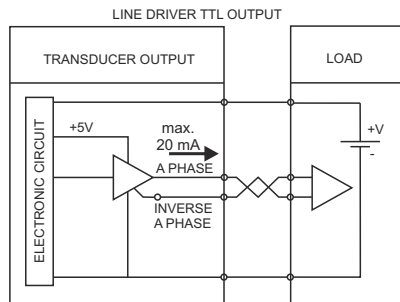
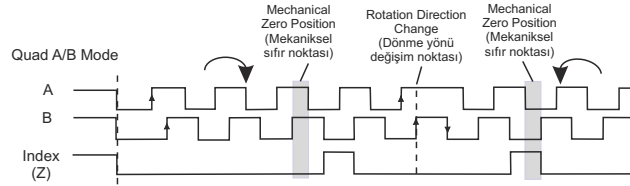
+V	: Brown (Kahve)
0V	: White (Beyaz)
ChA	: Yellow (Sarı)
ChB	: Green (Yeşil)
ChZ	: Grey (Gri)
Ch InvA	: Blue (Mavi)
Ch InvB	: Red (Kırmızı)
Ch InvZ	: Pink (Pembe)

Ordering Procedure

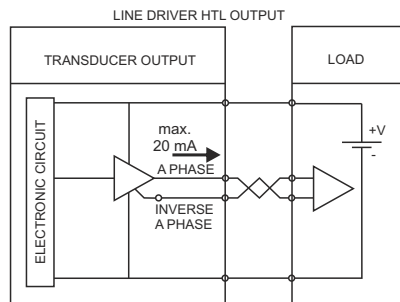
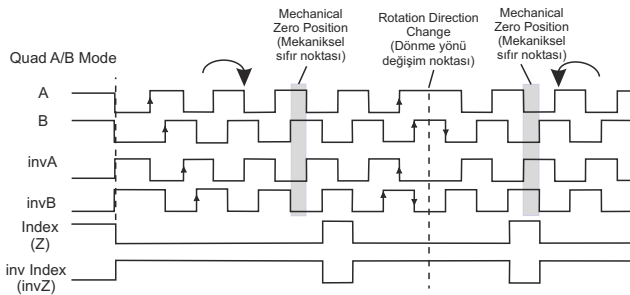
PRI 50H	6	TP	360	Z	V2	2M5
Model	Hollow Diameter	Output Type TP = Totempole TT = TTL LD= Line Driver HLD= High Line Driver	Resolution 100-200-360-400-500 720-1000-1024-1800 2000-2048-2500-3600 4000-4096-5000 pulse/turn	Output Signal B:AB Z: A, B, Z or ZZ : AA',BB',ZZ'	Supply Voltage V1: 5V V2: 8-24V or V3: 5-30V	Cable length 2.5 metre (Standard)



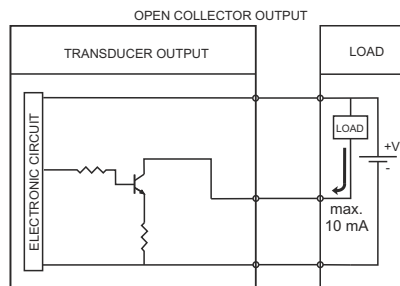
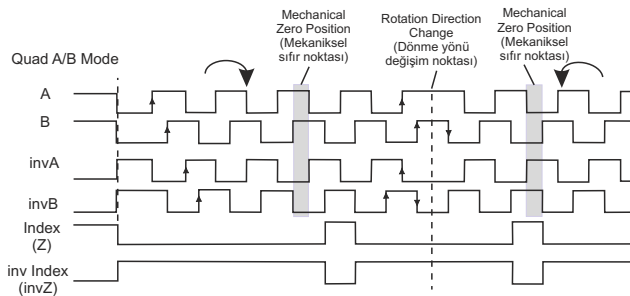
Supply Voltage : 8-24 VDC
Output Current : max. 10 mA



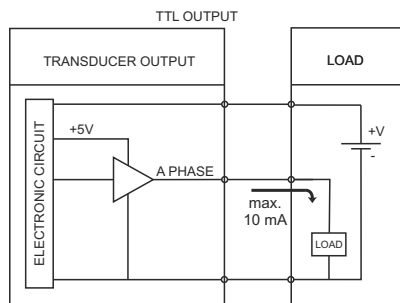
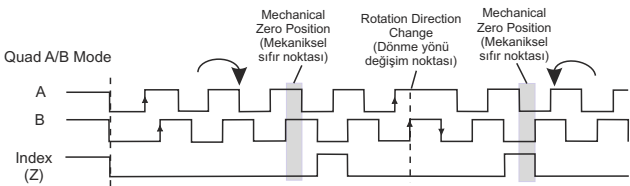
Supply Voltage : 5 VDC or 8-24 VDC
Output Voltage : 5 VDC



Supply Voltage : 8-24 VDC
Output Voltage : Supply Voltage



Supply Voltage : 8-24 VDC or 5 VDC
Output Current : max. 10 mA



Supply Voltage : 5 VDC or 8-24 VDC
Output Voltage : 5 VDC

