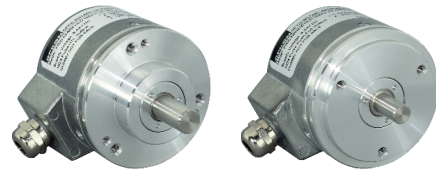


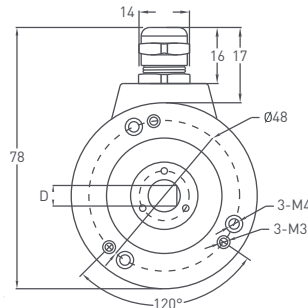
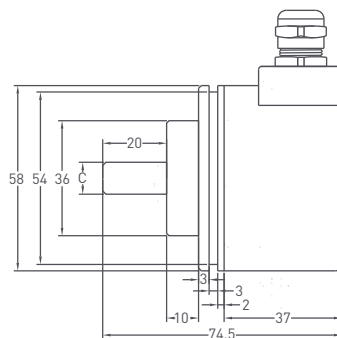
INCREMENTAL

- 58 mm case diameter
- 100 - 150 - 200 - 360 - 400 - 500 - 600 - 720 - 1000 - 1024
1800 - 2000 - 2048 - 2500 - 3600 - 4000 - 4096 - 5000 ppr.
- Push-Pull, TTL, Linedriver, HLD output
- Rod diameter 6 - 8 - 10 mm
- 3500 rpm max.

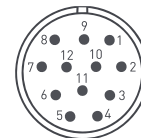


Technical Specifications	
Resolution	100 - 5000 ppr.
Output channels	A, B, Z or A, \bar{A} , B, \bar{B} , Z, \bar{Z}
Output type	TTL, Linedriver, Push-Pull, HLD
Power supply	5 VDC, 5-24 VDC or 8-24 VDC
Power consumption (without load)	<40 mA (24 VDC)
Cable	2,5 meter (standard) 5 wire + shield (Push-Pull) 2,5 meter (standard) 8 wire + shield (Linedriver)
Max. permissible shaft loading radial	60 N
axial	40 N
Displacement speed	3500 rpm
Rod diameter	Ø6 - 8 - 10 mm
Rod material	Stainless steel
Case dimensions	Ø58 mm
Case material	Aluminium and painted steel
Protection level	IP 54
Operating temperature	-20°C ... +80°C
Storage temperature	-30°C ... +90°C

Mechanical Specifications



A Type (Clamping flange)



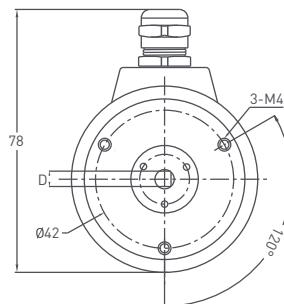
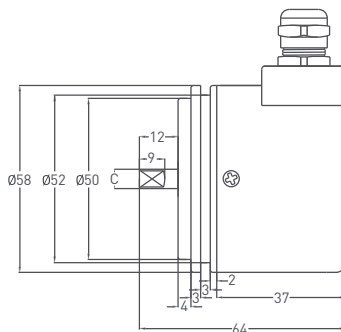
C12 Type connector
Please ask for connection details

Push-Pull Cable Output

+V : Brown
0V : White
GND : Shield
Ch A : Yellow
Ch B : Green
Ch Z : Gray

TTL - HLD - Linedriver Cable Output

+V : Brown
0V : White
GND : Shield
Ch A : Yellow
Ch B : Green
Ch Z : Gray
Ch A inv: Blue
Ch B inv: Red
Ch Z inv: Pink



B Type (Synchro flange)

PRI 58	A (shaft)		B (shaft)	
	C	D	C	D
	Ø6mm	5mm	Ø6mm	5mm
Ø8mm	7mm	Ø8mm	7mm	
Ø10mm	9mm	Ø10mm	9mm	

Ordering Procedure

Model	Case dimensions	Case type	Rod diameter	Output type	Resolution	Output signal	Power supply	Connector / Cable	Cable output
PRI	58	A	8	HLD	1024	Z	V2	2M5	R
PRI	58: 58 mm	A : Clamping flange B : Senkro flange	R6 : 6mm R8 : 8mm R10: 10mm	LTD : Push-Pull LD : Linedriver HLD : High Linedriver TT : TTL	100 - 5000 ppr.	Z : A, B, Z B : A, B ZZ : A \bar{A} , B \bar{B} , Z \bar{Z}	V1 : 5 VDC V2 : 8 - 24 VDC V3 : 5 - 24 VDC	2M5 : 2,5 meter cable 5M : 5 meter cable 8M : 8 meter cable 10M : 10 meter cable C12 : 12 pin connector	R : Radial