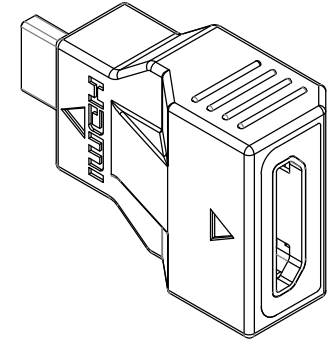
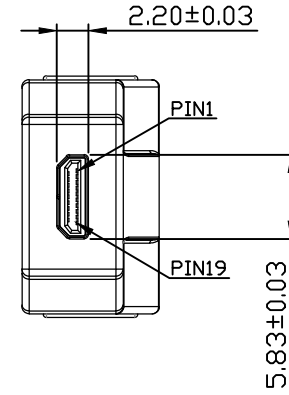
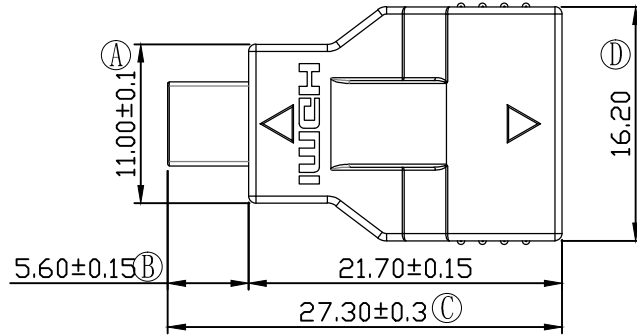
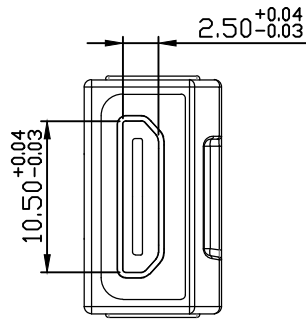
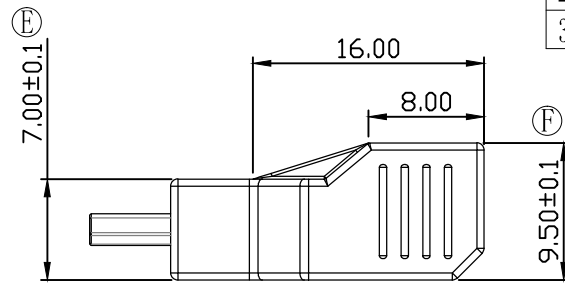


版本/次	标记	内容	日期
A0		设计完成图	

NO.	SUB PART NAME OR NO.	MATERIAL	MANUFACTURE TYPE & FINISH	QTY	REMARK
1	HCB-0208-JPD			1	
2	INTERIOR MOLDING	LDPE	COLOR:WHITE	1	
3	OVER MOLDING	PVC	COLOR:BLACK	1	



Type D-to-Type C Cable & Adaptor Wire Assignment

Type D pin	Signal Name	Wire	Type C pin
1	Hot Plug Detect	C	19
2	Utility	C	17
3	TMS Data2+	A	2
4	TMS Data2 Shield	B	1
5	TMS Data2-	A	3
6	TMS Data1+	A	5
7	TMS Data1 Shield	B	4
8	TMS Data1-	A	6
9	TMS Data0+	A	8

10	TMS Data0 Shield	B	7
11	TMS Data0 -	A	9
12	TMS Clock+	A	11
13	TMS Clock Shield	B	10
14	TMS Clock -	A	12
15	CEC	C	14
16	DOC/CEC Ground	D	13
17	SCL	C	15
18	SDA	C	16
19	+5V Power	5V	18
SHELL	Shield	-	SHELL

单位: (mm)	图纸: (A4)
x.x	±0.30
x.xx	±0.20
x.xxx	±0.10
x.*	±3.0*
x.x*	±2.0*
x.xx*	±1.0*

OPTION:  ALL SHIELD CIRCUIT SHORT  SHIELD CIRCUIT NON-SHORT

NOTES:

- CONTACT RESISTANCE : 30 MILLIOHMS MAX.
- DIELECTRIC STRENGTH : 500 VAC MIN.
- INSULATION RESISTANCE : 100 MEGOHMS MIN.
- OPERATING TEMPERATURE : -20°C TO +85°C.
- UNDERPLATING : NICKEL ALL OVER.
- OPERATING FORCE:
  - 6.1 INSERTION FORCE: 44.1N (4.5kgf) MAX.
  - 6.1 WITHDRAWAL FORCE: Type C: 7N MIN. 25N MAX.
  - Type D: 5N MIN. 25N MAX.

日期 DATE 2010.11.23 比例 SCALE 1:1 单位 UNITS 毫米 (MM)

件名 PART NAME HDMI CF DM ADAPTOR

VIEW DIRECTION:

核 APPROVED BY 审核 CHECK BY 制图 DRAW BY

型号 ITEM NO HCB-0208-JPD-F

编 FILE No. 号

张 SHEET NO. 数 1/1