

## BET-1000M

100 Watt

- Desktop adapter for medical applications
- Class 2 equipment – without PE
- Compliant with ErP and CEC level V

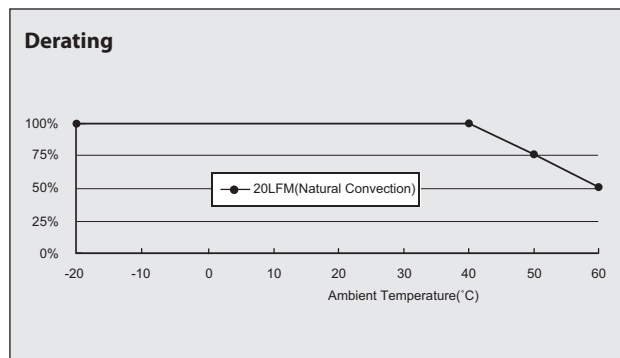
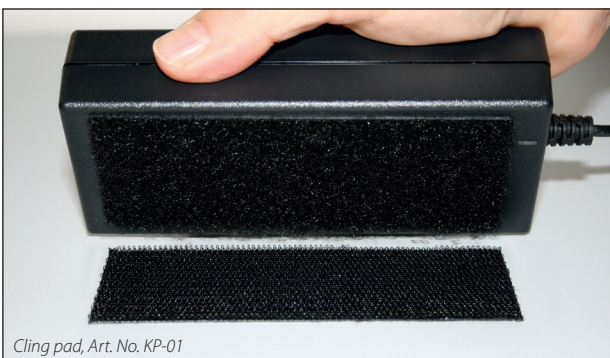
The series BET-1000M desktop adapters supply power to medical devices. They are internationally certified according to IEC/EN / UL 60601-1 (3rd Edition) standards. The desktop adapters are designed for many years of reliable operation. Robustly constructed, the adapters are also equipped with top quality components. The entire closed plastic case can easily be cleaned and disinfected.



Desktop adapter

Technical data	
Input voltage	90...264 V AC
Input frequency	47...63 Hz
Inrush current	100 A max (240 V AC)
Efficiency	88...89 %
Idle consumption	≤0.5 W
Hold up time	16 ms / 115 VAC
Protection	Short circuit protection: Switch off with auto recovery Overvoltage protection
Insulation voltage	Input/Output 4675 VAC (2xMOPP)
Line regulation	±1 % at rated load and input voltage change of 100...240 VAC
Load regulation	≤ ±4 %
Leakage current	<100 µA touch current (264 VAC / 63 Hz)
Safety / EMC	TÜV (IEC/EN60601-1 3rd Edition), UL (UL60601-1 3rd Edition), CB, CE
Temperature	Operating: -20...+60 °C / Storage: -20...+85 °C
Derating	In the range of +40...+60 °C, 2.5 % / °C
Max. operation altitude	3000 m
MTBF	>165 000 h according to MIL-HDBK-217F at +25 °C
Humidity	Operating: 10...85 % RH, non-condensing / Storage: 10...90 % RH, non-condensing
Dimensions (WxDxH)	58 x 142 x 37 mm ±0.5 mm
Weight (net)	0.485 kg

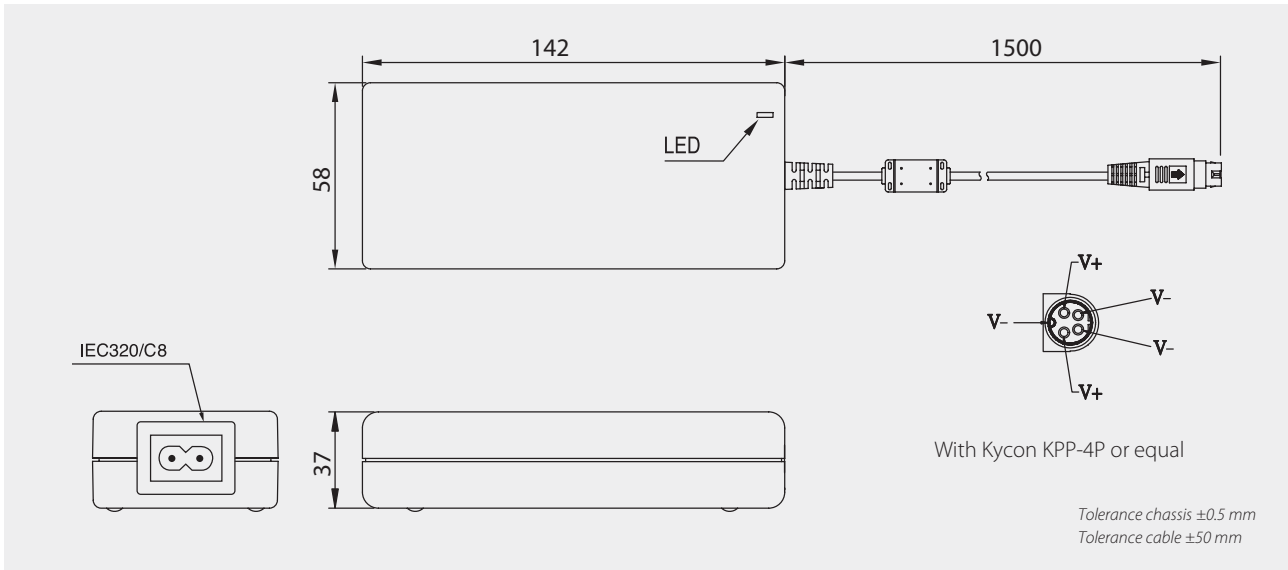
Product specific data	
ECO standard	ErP directive 2009/125/EG, CEC level V



Article No.	Output voltage	Output current min	Output current rated load	Ripple & Noise	Efficiency
BET-1012M	+12 V	0 A	8.3 A	<120 mV <sub>SS</sub>	88 %
BET-1015M	+15 V	0 A	6.6 A	<150 mV <sub>SS</sub>	88 %
BET-1019M	+19 V	0 A	5.2 A	<190 mV <sub>SS</sub>	88 %
BET-1024M	+24 V	0 A	4.1 A	<240 mV <sub>SS</sub>	89 %

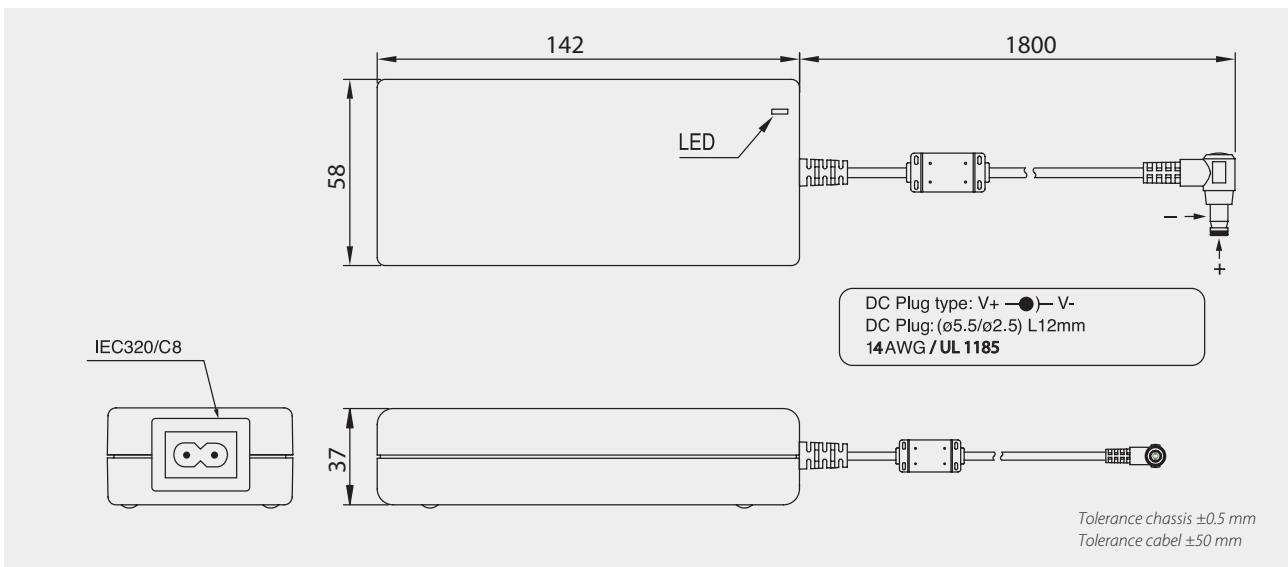
Ripple and Noise was measured by a 20 MHz bandwidth limited oscilloscope with connected 100 nF and 10 µF capacitors at the output.  
The final assembly has to comply with the valid EMC and safety standards.

## Drawing BET-1012M and BET-1015M



Desktop adapter

## Drawing BET-1019M and BET-1024M



**Optional accessory** ▷▷▷ For detailed information please visit our website [www.bicker.de](http://www.bicker.de) and refer to the article number.

Article No.	Description
KP-01	Cling pad for fast and easy attachment of desktop adapters
X1-135	Power cord with European IEC-60320-C7 connector
PSZ-1008	Female adapter, DC jack on screw terminal (for models BET-1019M and BET-1024M)
CB-TRG-EXT	DC extension cable

Specification is subject to change without notice. Errors excepted. Status as at: 06.11.2015