

## BET-1600M

160 Watt

- Desktop adapter for medical applications
- High efficiency
- Compliant with ErP and CEC level V

The series BET-1600M desktop adapters supply power to medical devices. They are internationally certified according to IEC/EN / UL 60601-1 (3rd Edition) standards. The desktop adapters are designed for many years of reliable operation. Robustly constructed, the adapters are also equipped with top quality components. Due to its compact design, the BET-1600M has a high power density.



### Technical data

Input voltage	90...264 V AC
Input frequency	47...63 Hz
Inrush current	100 A max (240 V AC)
Efficiency	89...91 %
Idle consumption	≤0.5 W
Hold up time	>16 ms / 115 VAC
Protection	Overload protection: Switch off with auto recovery Overtemperature protection: Switch off with auto recovery
Insulation voltage	Input/Output 6067 VDC (2x MOPP) Input/FG 2327 VDC (1x MOPP)
Line regulation	≤ ±4 %
Load regulation	≤ ±5 %
Leakage current	<227 µA earth leakage current / <100 µA touch current (264 V AC / 60 Hz)
Safety / EMC	TÜV (IEC/EN60601-1 3rd Edition), UL (UL60601-1 3rd Edition), CB, CE
Temperature	Operating: 0...+60 °C / Storage: -20...+80 °C
Derating	In the range of +40...+60 °C, 2.5 % / °C
Max. operation altitude	3000 m
MTBF	App. 300 000 h according to Telcordia SR-332 at 25 °C
Humidity	Operating: 10...85 % RH, non-condensing / Storage: 10...90 % RH, non-condensing
Dimensions (WxDxH)	81 x 183.2 x 42.3 mm ±0.5 mm
Weight (net)	0.68 kg

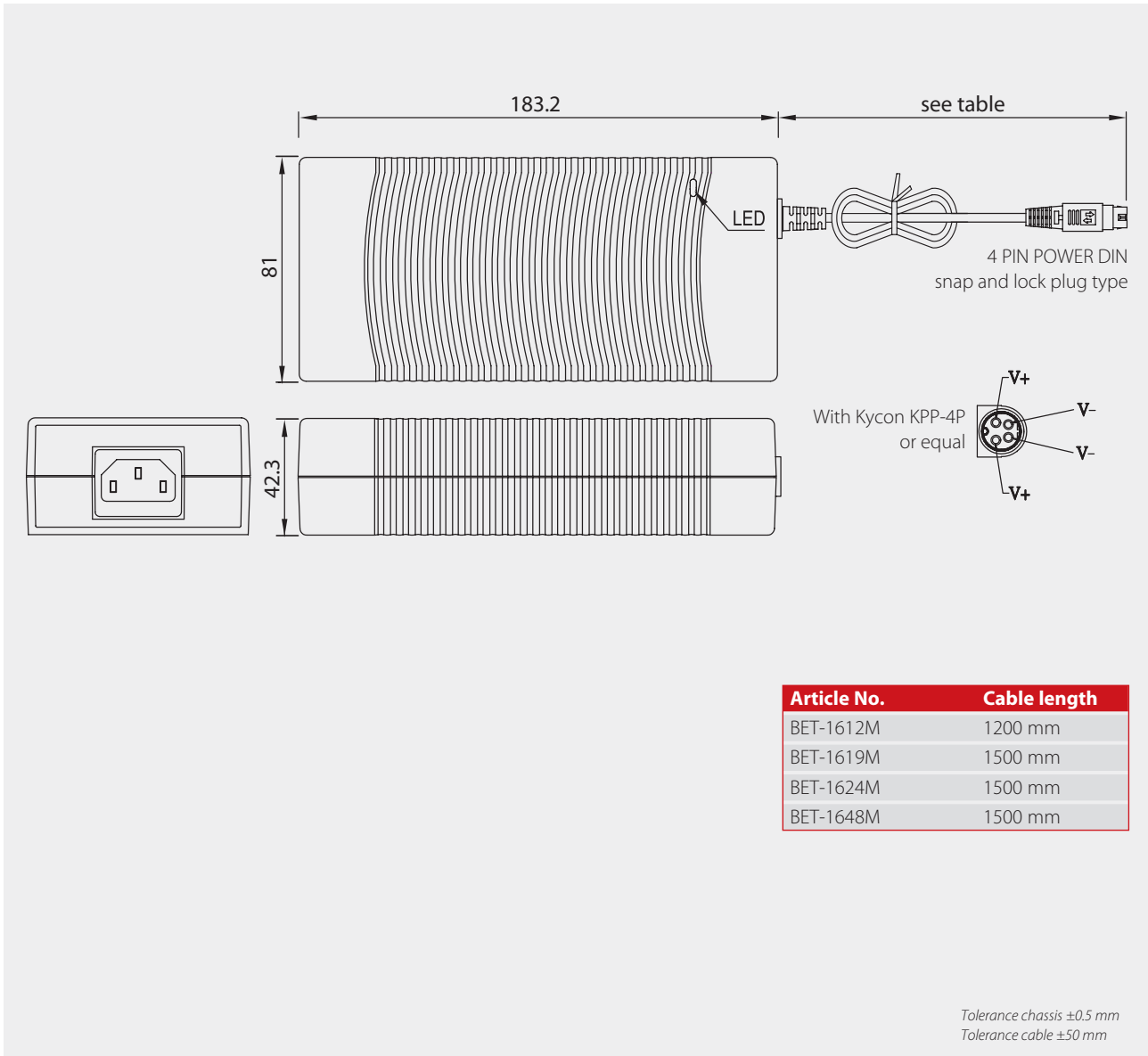
### Product specific data

ECO standard	ErP directive 2009/125/EG, CEC level V
Earth conductor	The earth conductor PE (primary) is not connected to -V <sub>out</sub> (secondary)

Article No.	Output voltage	Output current		Ripple & Noise	Efficiency
		min	rated load		
BET-1612M	+12 V	0 A	12.5 A	<120 mVss	88 %
BET-1619M	+19 V	0 A	8.4 A	<190 mVss	89 %
BET-1624M	+24 V	0 A	6.6 A	<240 mVss	91 %
BET-1648M	+48 V	0 A	3.3 A	<480 mVss	91 %

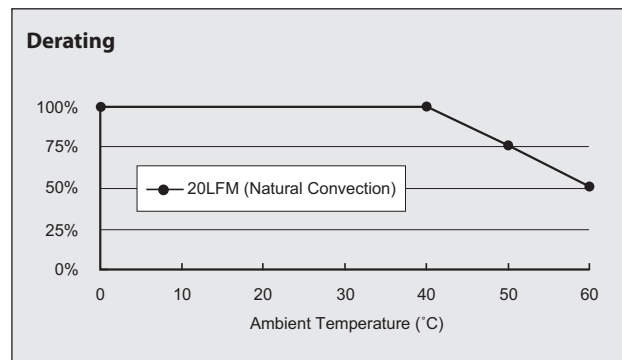
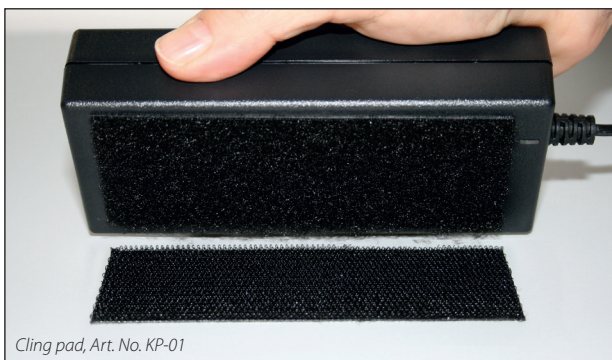
Ripple and Noise was measured by a 20 MHz bandwidth limited oscilloscope with connected 0.1-µF and 10-µF capacitors at the output. The final assembly has to comply with the valid EMC and safety standards.

## Drawing BET-1600M



Desktop adapter

Specification is subject to change without notice. Errors excepted. Status as at: 31.07.2015



**Optional accessory** ▷▷▷ For detailed information please visit our website [www.bicker.de](http://www.bicker.de) and refer to the article number.

Article No.	Description
KP-01	Cling pad for fast and easy attachment of desktop adapters
X1-132	Power cord with European IEC-60320-C13 connector