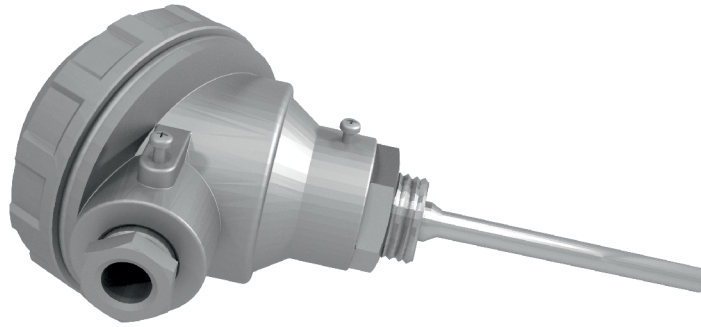
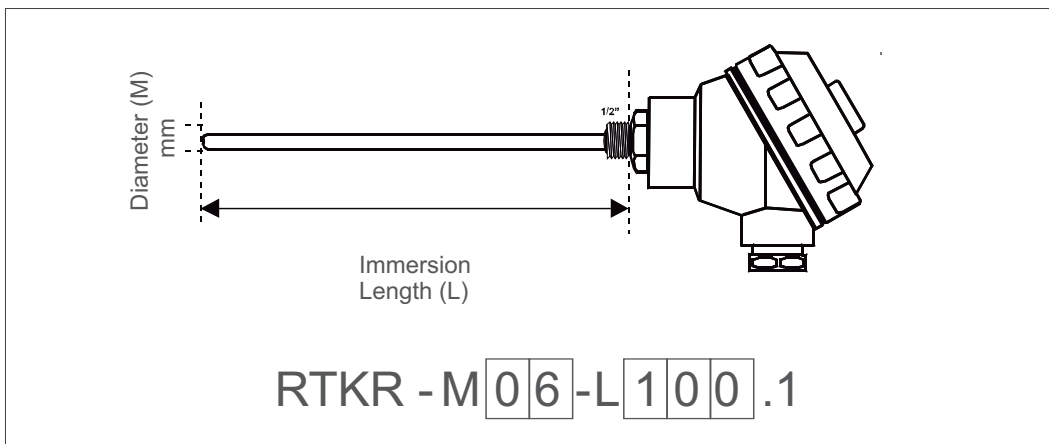


► (RTKR) Terminal Block with Fittingnut  
**RTKR-M06-L100.1**

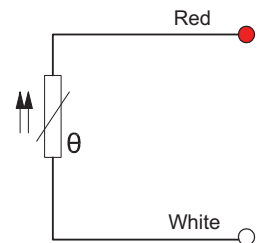


Max. operating temperature : -50 °C / +500 °C  
Sensor type : DIN/EN60751 Class "A" 1xPT-100  
Protection tube material : AISI304 (DIN1.4301) Stainless Steel  
Fittingnut : Standard 1/2"

► Technical drawing



PT-100 Connections



Diameter (M) : 6 mm  
Immersion Length (L) : 100 mm