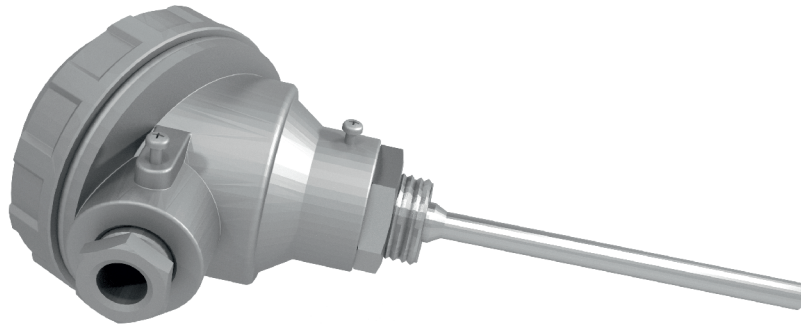
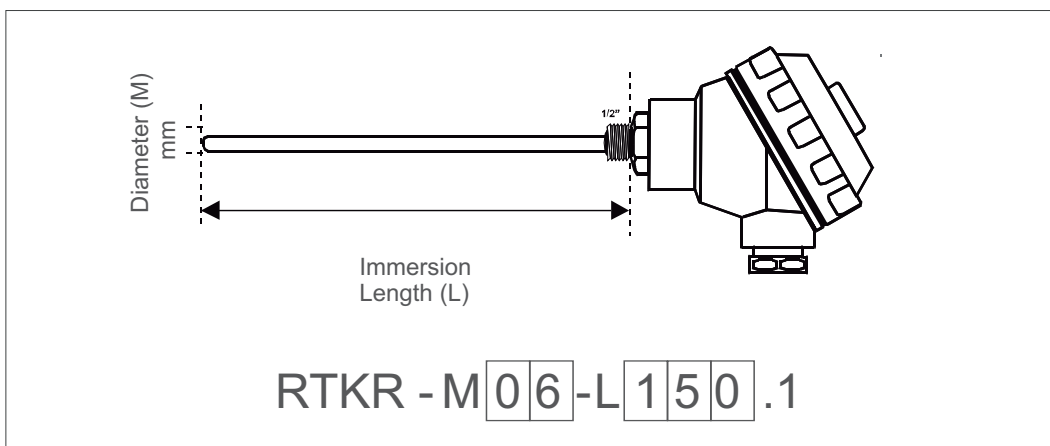


► (RTKR) Terminal Block with Fittingnut  
**RTKR-M06-L150.1**

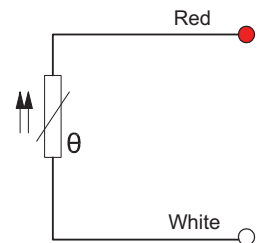


- Max. operating temperature : -50 °C / +500 °C
- Sensor type : DIN/EN60751 Class "A" 1xPT-100
- Protection tube material : AISI304 (DIN1.4301) Stainless Steel
- Fittingnut : Standard 1/2"

► Technical drawing



PT-100 Connections



- Diameter (M) : 6 mm
- Immersion Length (L) : 150 mm