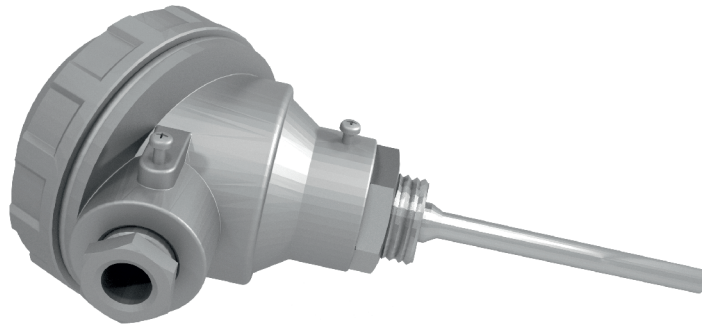
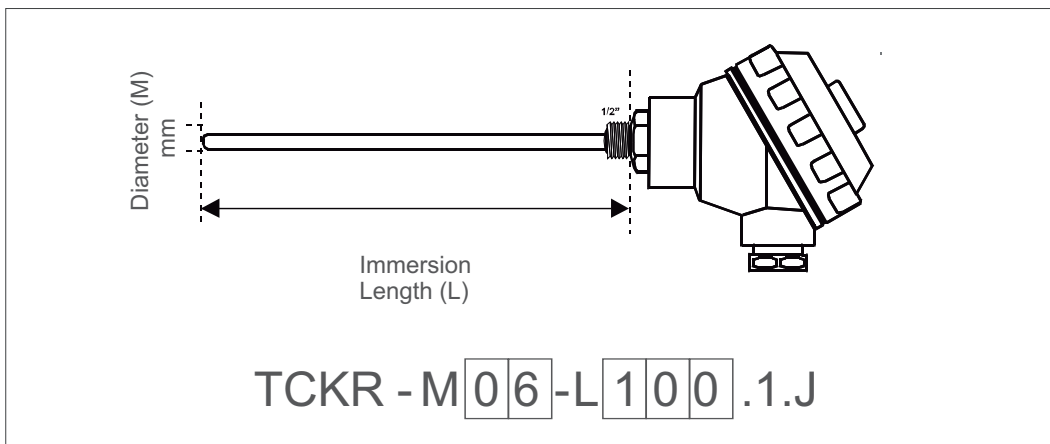


► (TCKR) Terminal Block with Fittingnut  
TCKR-M06-L100.1.J

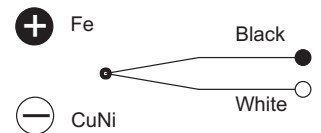


Max. operating temperature : -50 °C / +500 °C  
Sensor type : DIN/IEC-584 "J" Fe-CuNi E=J  
Protection tube material : AISI304 (DIN1.4301) Stainless Steel  
Fittingnut : Standard 1/2"

► Technical drawing



Thermoelement Connections



Diameter (M) : 6 mm  
Immersion Length (L) : 100 mm