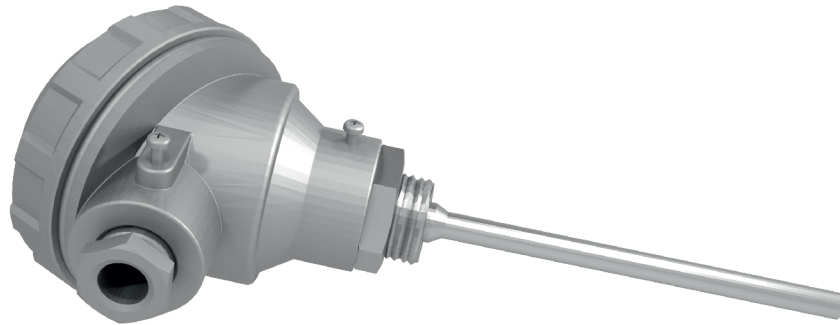
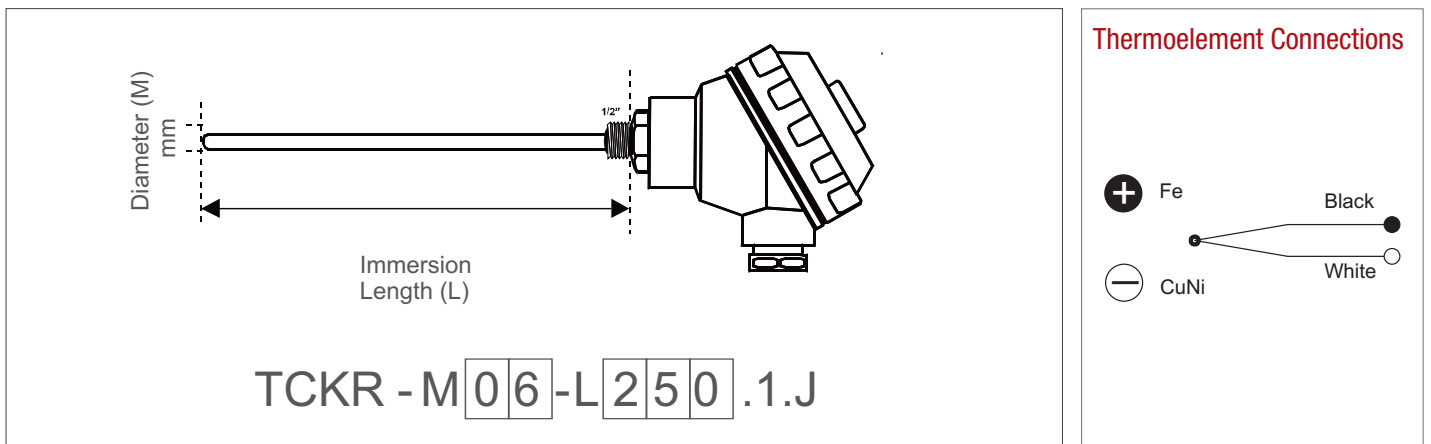


► (TCKR) Terminal Block with Fittingnut
TCKR-M06-L250.1.J



Max. operating temperature : -50 °C / +500 °C
Sensor type : DIN/IEC-584 "J" Fe-CuNi E=J
Protection tube material : AISI304 (DIN1.4301) Stainless Steel
Fittingnut : Standard 1/2"

► Technical drawing



Diameter (M) : 6 mm
Immersion Length (L) : 250 mm