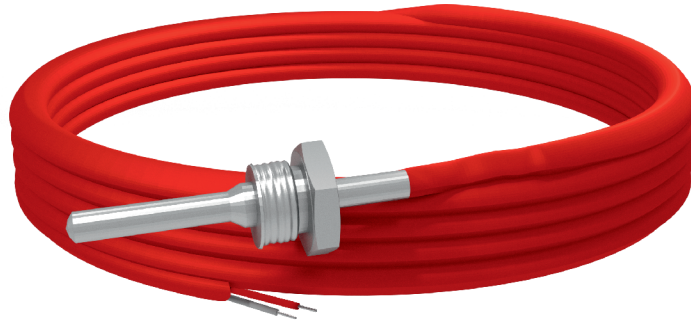
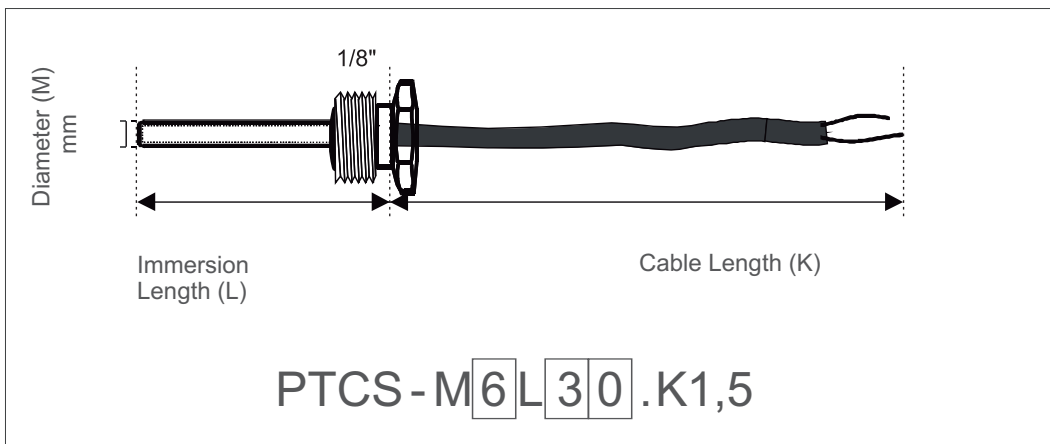


► (PTCS) Bayonet Bore Type
PTCS-M6L30-K1.5

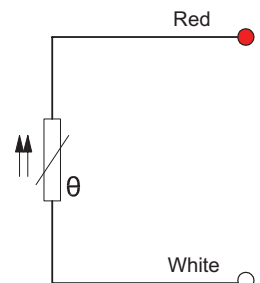


Max. operating temperature : -50 °C / +130 °C
Standard cable types : Silicone + Silicone
Sensor type : PTC-1K
Protection tube material : Nickel coated brass
Fittignut : Standard 1/8"

► Technical drawing



PTC Connections



Diameter (M) : 6 mm
Immersion Length (L) : 30 mm
Cable length (K) : 1,5 meter