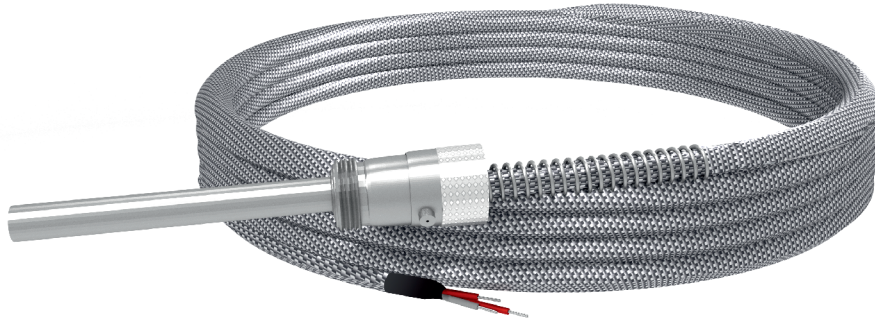
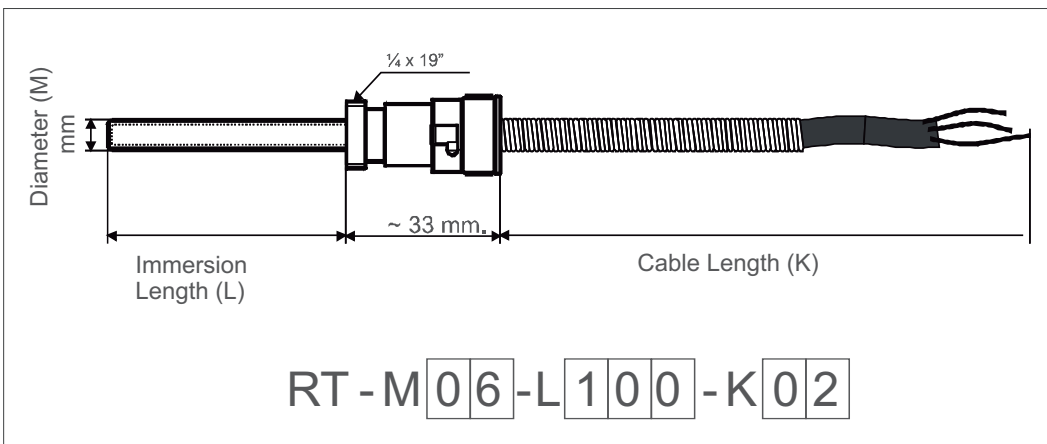


► (RT) Standard Bayonet Type
RT-M06-L100-K02

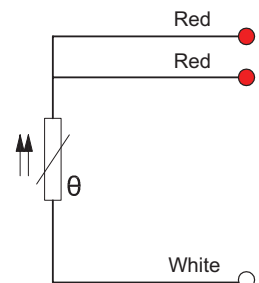


- Max. operating temperature : -50 °C / +400 °C
- Standard cable types : Fiber glass + fiber glass + braided wire
- Sensor type : DIN/EN60751 Class "B" 1xPT-100
- Protection tube material : AIS304 (DIN1.4301) Stainless Steel
- Connector : Standard 1/4 x 19"

► Technical drawing



PT-100 Connections



- Diameter (M) : 6 mm
- Immersion Length (L) : 100 mm
- Cable length (K) : 2 meter