



### ESM-3711-H 77 x 35 DIN Size Digital, ON / OFF Temperature Controller

- 3 Digits display
- PTC Input or,  
J type Thermocouple Input or,  
K type Thermocouple Input or,  
2-Wire PT 100 Input or,  
2-Wire PT 1000 Input (It must be determined in order)
- ON/OFF temperature control
- Adjustable temperature offset
- Set value low limit and set value high limit boundaries
- Relay or SSR driver output
- Digital Input (Cooking time start/stop input)
- Adjustable cooking time from front panel
- Temperature control according to the cooking time (Timer)
- User can select to start cooking time (Timer) when temperature reaches to the set value
- Temperature control with manual heating function
- Alarm parameters
- Adjustable internal buzzer according to cooking time, probe defect and alarm status
- Button protection
- Password protection for programming section

Instruction manual of ESM-3711-H Temperature Controller consists of two main sections. Explanation of these sections are below. Also, there are other sections which include order information and technical specifications of the device. All titles and page numbers in instruction manual are in “**CONTENTS**” section. User can reach to any title with section number.

### **Installation:**

In this section, physical dimensions of the device, panel mounting, electrical wiring, physical and electrical installation of the device to the system are explained.

### **Operation and Parameters:**

In this section user interface of the device, accessing to the parameters, description of the parameters are explained.

Also in these sections, there are warnings to prevent serious injury while doing the physical and electrical mounting or using the device.

Explanation of the symbols which are used in these sections are given below.



This symbol is used for safety warnings. User must pay attention to these warnings.



This symbol is used to determine the dangerous situations as a result of an electric shock. User must pay attention to these warnings definitely.



This symbol is used to determine the important notes about functions and usage of the device.

## Contents

<b>1.PREFACE</b> .....	Page	5
1.1 GENERAL SPECIFICATIONS		
1.2 ORDERING INFORMATION		
1.3 WARRANTY		
1.4 MAINTENANCE		
<b>2.INSTALLATION</b> .....	Page	7
2.1 GENERAL DESCRIPTION		
2.2 FRONT VIEW AND DIMENSIONS OF ESM-3711-H TEMPERATURE CONTROLLER		
2.3 PANEL CUT-OUT		
2.4 ENVIRONMENTAL RATINGS		
2.5 PANEL MOUNTING		
2.6 INSTALLATION FIXING CLAMP		
2.7 REMOVING FROM THE PANEL		
<b>3.ELECTRICAL WIRINGS</b> .....	Page	12
3.1 TERMINAL LAYOUT AND CONNECTION INSTRUCTIONS		
3.2 ELECTRICAL WIRING DIAGRAM		
3.3 VIEW OF THE DEVICE LABEL		
3.4 SUPPLY VOLTAGE INPUT CONNECTION OF THE DEVICE		
3.5 TEMPERATURE INPUT SENSOR CONNECTION		
3.5.1 TC (THERMOCOUPLE) CONNECTION		
3.5.2 PTC CONNECTION		
3.5.3 PT-100 AND PT-1000 CONNECTION		
3.6 GALVANIC ISOLATION TEST VALUES OF ESM-3711-H TEMPERATURE CONTROLLER		
3.7 OUTPUT CONNECTIONS		
3.7.1 RELAY OUTPUT CONNECTION		
3.7.2 SSR DRIVER OUTPUT CONNECTION		
<b>4.FRONT PANEL DEFINITION AND ACCESSING TO THE MENUS</b> .....	Page	19
4.1 OBSERVATION OF SOFTWARE REVISION ON THE DISPLAYS		
4.2 CHANGING AND SAVING SET VALUE		
4.3 CHANGING AND SAVING COOKING TIME (TIMER) PARAMETER VALUE		
4.4 PROGRAMMING MODE PARAMETER LIST		
4.5 COOKING TIME (TIMER) ON/OFF OPERATION		
4.5.1 COOKING TIME (TIMER) ON/OFF OPERATION WITH COOKING BUTTON		
4.5.2 COOKING TIME (TIMER) ON/OFF OPERATION WITH COOKING TIME START/STOP INPUT		
4.6 OPERATION GRAPHICS OF ESM-3711-H HEATING CONTROLLER		
4.7 EASY ACCESS DIAGRAM OF PROGRAMMING MODE PARAMETERS		
4.8 ENTERING TO THE PROGRAMMING MODE, CHANGING AND SAVING PARAMETERS		
<b>5.FAILURE MESSAGES IN ESM-3711-H HEATING CONTROLLER</b> .....	Page	29
<b>6.SPECIFICATIONS</b> .....	Page	30

## EU DECLARATION OF CONFORMITY

**Manufacturer Company Name** : Emko Elektronik A.S.

**Manufacturer Company Address:** DOSAB, Karanfil Sokak, No:6, 16369 Bursa, Turkiye

The manufacturer hereby declares that the product conforms to the following standards and conditions.

**Product Name** : Heating Controller

**Model Number** : ESM-3711-H

**Type Number** : ESM-3711-H

**Product Category** : Electrical equipment for measurement, control and laboratory use

**Conforms to the following directives :**

73 / 23 / EEC The Low Voltage Directive as amended by 93 / 68 / EEC

89 / 336 / EEC The Electromagnetic Compatibility Directive

**Has been designed and manufactured according to the following specifications**

EN 61000-6-4:2001 EMC Generic Emission Standard for the Industrial Environment

EN 61000-6-2:2001 EMC Generic Immunity Standard for the Industrial Environment

EN 61010-1:2001 Safety Requirements for electrical equipment for measurement, control and laboratory use.

## 1.Preface

ESM-3711-H series heating controllers are designed for measuring and controlling temperature. They can be used in many applications with their easy use, On/ Off control form and cooking time properties.

Some application fields which they are used are below:

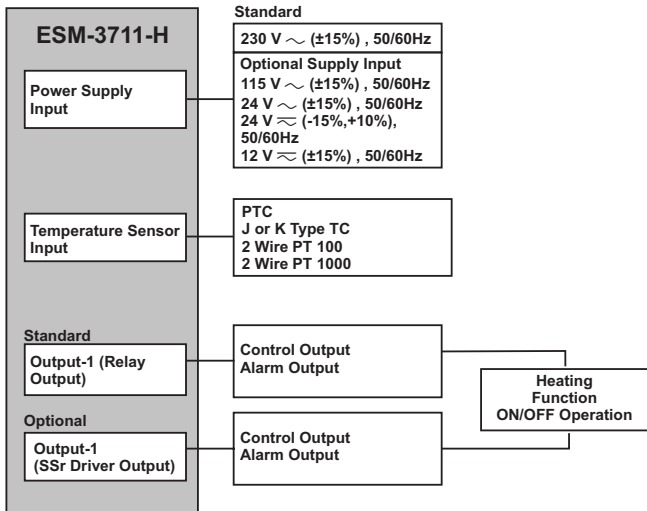
### Application Fields

Glass  
Food  
Plastic  
Petro-Chemistry  
Textile, Automotive  
Machine Production Industries  
etc...

### Applications

Heating  
Baking Ovens  
Incubators  
Storages  
Air Conditioning  
Etc...

## 1.1 General Specifications



## 1.2 Ordering Information

ESM-3711-H (77x35 DIN Size)	A	BC	D	E	/	FG	HI	/	U	V	W	Z
			0		/	00	00	/	1	0	0	0

A	Supply Voltage
2	24V $\sim$ (-15%, +10%) 50/60Hz
3	24V $\sim$ ( $\pm$ 15%) 50/60Hz
4	115V $\sim$ ( $\pm$ 15%) 50/60Hz
5	230V $\sim$ ( $\pm$ 15%) 50/60Hz
6	12V $\sim$ ( $\pm$ 15%) 50/60Hz
9	Customer

BC	Input Type	Scale(°C)	
05	J, Fe CuNi IEC584.1(ITS90)	0°C	800°C
10	K, NiCr Ni IEC584.1(ITS90)	0°C	999°C
11	PT 100, IEC751(ITS90)	-50°C	400°C
09	PT 100, IEC751(ITS90)	-19.9°C	99.9°C
12	PTC (Note-1)	-50°C	150°C
15	PTC (Note-1)	-19.9°C	99.9°C
14	PT 1000, IEC751(ITS90)	-50°C	400°C
13	PT 1000, IEC751(ITS90)	-19.9°C	99.9°C

Note-1 : If input type is selected PTC ( BC = 12 or BC = 15), PTC Temperature sensor is given with the device. For this reason, PTC sensor type ( V ) must be declared in ordering information.

E	Output-1
1	Relay Output (resistive load 10 A@250 V $\sim$ , 1 NO + 1NC )
2	SSR Driver Output (Maximum 15 mA@5 V ---)

V	Temp.Sensor which is given with ESM-3711-H
0	None
1	PTC-M6L40.K1.5(PTC Air probe with 1.5 m silicon cable)
2	PTCS-M6L30.K1.5(PTC Liquid probe with 1.5 m silicon cable)
9	Customer

All order information of ESM-3711-H Temperature Controller are given on the table at left. User may form appropriate device configuration from information and codes that at the table and convert it to the ordering codes.

Firstly, supply voltage then other specifications must be determined. Please fill the order code blanks according to your needs.

Please contact us, if your needs are out of the standards.



$\sim$   $\Rightarrow$  Vac,

---  $\Rightarrow$  Vdc,

$\sim$  ---  $\Rightarrow$  Vdc or Vac can be applied.

## 1.3 Warranty

EMKO Elektronik warrants that the equipment delivered is free from defects in material and workmanship. This warranty is provided for a period of two years. The warranty period starts from the delivery date. This warranty is in force if duty and responsibilities which are determined in warranty document and instruction manual performs by the customer completely.

## 1.4 Maintenance

Repairs should only be performed by trained and specialized personnel. Cut power to the device before accessing internal parts.

Do not clean the case with hydrocarbon-based solvents (Petrol, Trichlorethylene etc.). Use of these solvents can reduce the mechanical reliability of the device. Use a cloth dampened in ethyl alcohol or water to clean the external plastic case.

## 2.Installation



Before beginning installation of this product, please read the instruction manual and warnings below carefully.

In package ,

- One piece unit
- Two pieces mounting clamps
- One piece instruction manual

A visual inspection of this product for possible damage occurred during shipment is recommended before installation. It is your responsibility to ensure that qualified mechanical and electrical technicians install this product.

If there is danger of serious accident resulting from a failure or defect in this unit, power off the system and separate the electrical connection of the device from the system.

The unit is normally supplied without a power supply switch or a fuse. Use power switch and fuse as required.

Be sure to use the rated power supply voltage to protect the unit against damage and to prevent failure.

Keep the power off until all of the wiring is completed so that electric shock and trouble with the unit can be prevented.

Never attempt to disassemble, modify or repair this unit. Tampering with the unit may results in malfunction, electric shock or fire.

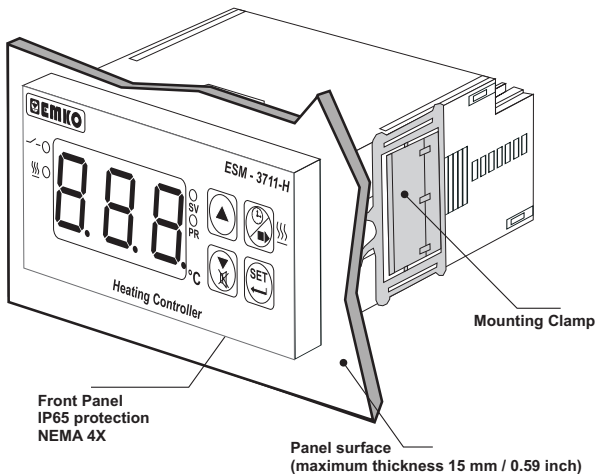
Do not use the unit in combustible or explosive gaseous atmospheres.

During the equipment is putted in hole on the metal panel while mechanical installation some metal burrs can cause injury on hands, you must be careful.

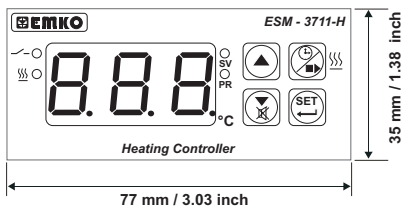
Montage of the product on a system must be done with it's fixing clamps. Do not do the montage of the device with inappropriate fixing clamp. Be sure that device will not fall while doing the montage.

It is your responsibility if this equipment is used in a manner not specified in this instruction manual.

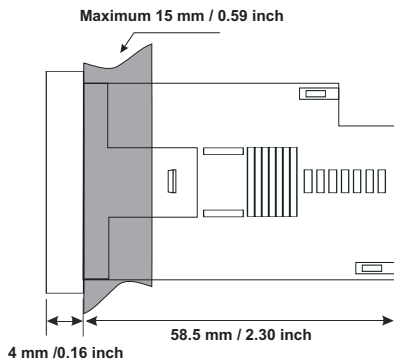
## 2.1 General Description



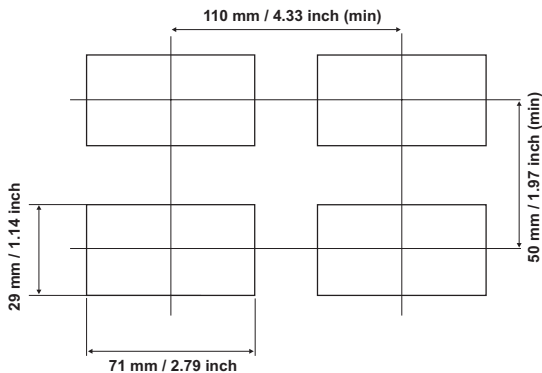
## 2.2 Front View and Dimensions of ESM-3711-H Temperature Controller







### 2.3 Panel Cut-Out



## 2.4 Environmental Ratings

### Operating Conditions



**Operating Temperature** : 0 to 50 °C



**Max. Operating Humidity** : 90% Rh (non-condensing)



**Altitude** : Up to 2000 m.



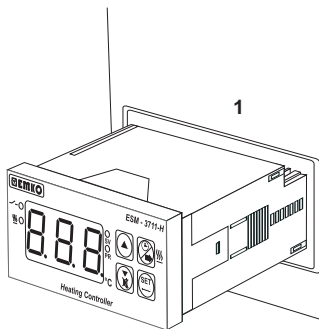
#### Forbidden Conditions:

Corrosive atmosphere

Explosive atmosphere

Home applications (The unit is only for industrial applications)

## 2.5 Panel Mounting



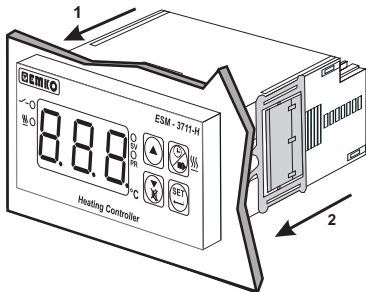
1-Before mounting the device in your panel, make sure that the cut-out is of the right size.

2-Insert the device through the cut-out. If the mounting clamps are on the unit, put out them before inserting the unit to the panel.



During installation into a metal panel, care should be taken to avoid injury from metal burrs which might be present. The equipment can loosen from vibration and become dislodged if installation parts are not properly tightened. These precautions for the safety of the person who does the panel mounting.

## 2.6 Installation Fixing Clamp



The unit is designed for panel mounting.

1-Insert the unit in the panel cut-out from the front side.

2- Insert the mounting clamps to the fixing sockets that located left and right sides of device and make the unit completely immobile within the panel

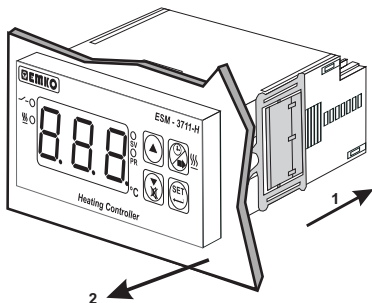


Montage of the unit to a system must be done with it's own fixing clamps. Do not do the montage of the device with inappropriate fixing clamps. Be sure that device will not fall while doing the montage.

## 2.7 Removing from the Panel



Before starting to remove the unit from panel, power off the unit and the related system.



1-Pull mounting clamps from left and right fixing sockets.

2-Pull the unit through the front side of the panel

### 3. Electrical Wiring



You must ensure that the device is correctly configured for your application. Incorrect configuration could result in damage to the process being controlled, and/or personal injury. It is your responsibility, as the installer, to ensure that the configuration is correct.

Device parameters has factory default values. These parameters must be set according to the system's needs.



Only qualified personnel and technicians should work on this equipment. This equipment contains internal circuits with voltage dangerous to human life. There is severe danger for human life in the case of unauthorized intervention.

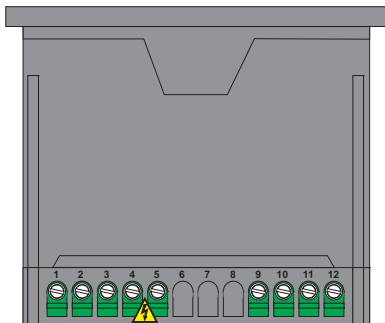


Be sure to use the rated power supply voltage to protect the unit against damage and to prevent failure.



Keep the power off until all of the wiring is completed so that electric shock and trouble with the unit can be prevented.

#### 3.1 Terminal Layout and Connection Instructions



Screw driver  
0,8 x3 mm



Torque  
0,5 Nm

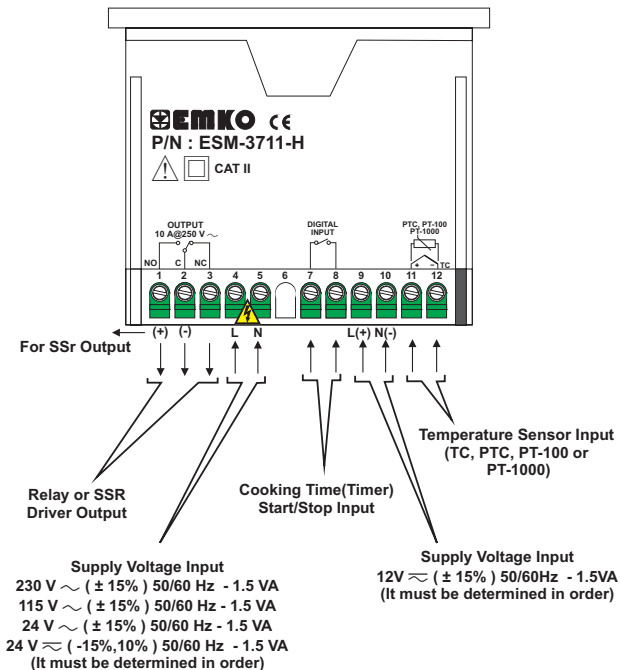


Max. 2.5 mm / 0.098 inch  
Wire Size:  
14 AWG/1 mm<sup>2</sup>  
Solid /Stranded

### 3.2 Electrical Wiring Diagram



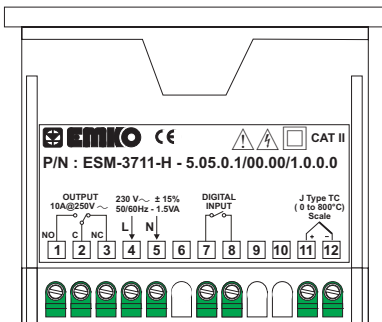
Electrical wiring of the device must be the same as 'Electrical Wiring Diagram' below to prevent damage to the process being controlled and personnel injury.



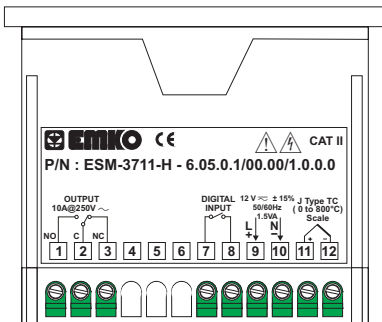
Temperature Sensor Input is in CAT II class.

### 3.3 View of the Device Label

Device Label for J Type ( 0 ; 800 ) scaled, with Thermocouple input , 230V  $\sim$  Supply Voltage Input and Relay Output

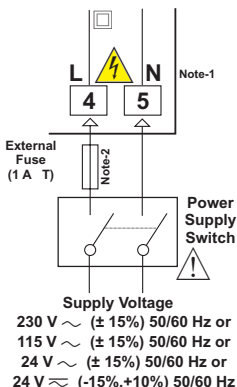


Device Label for J Type ( 0 ; 800 ) scaled, with 12V  $\sim$  Supply Voltage Input and Relay Output

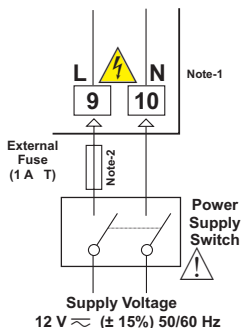


### 3.4 Supply Voltage Input Connection of the Device

Connection of Supply Voltage Input



Connection of Supply Voltage Input



Note-1: "L" is (+), "N" is (-) for 12V  $\overline{\overline{=}}$  and 24V  $\overline{\overline{=}}$  Supply Voltage

Note-2: External Fuse is recommended



Make sure that the power supply voltage is same indicated on the instrument. Switch on the power supply only after that all the electrical connection have been completed.

Supply voltage range must be determined in order. While installing the unit, supply voltage range must be controlled and appropriate supply voltage must be applied to the unit. Controlling prevents damages in unit and system and possible accidents as a result of incorrect supply voltage.



There is no power supply switch or fuse on the device. So a power supply switch and a fuse must be added to the supply voltage input. Power supply switch and fuse must be put to a place where user can reach easily.

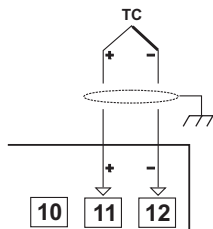
Power supply switch must be two poled for separating phase and neutral. On/Off condition of power supply switch is very important in electrical connection. On/Off condition of power supply switch must be signed for preventing the wrong connection.

External fuse must be on phase connection in  $\sim$  supply input.

External fuse must be on (+) line connection in  $\overline{\overline{=}}$  supply input.

### 3.5 Temperature Sensor Input Connection

#### 3.5.1 TC (Thermocouple) Connection



Connect the wires with the polarity as shown in the figure left.

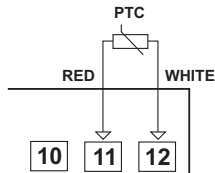


Always use compensation wire corresponding to the thermocouple used. If present, the shield must be connected to a proper ground.



Input resistance is greater than 10M $\Omega$ .

#### 3.5.2 PTC Connection

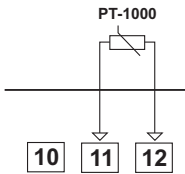
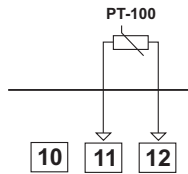


Pay attention the cable colours of PTC probe while doing the PTC probe connection.



Input resistance is greater than 10M $\Omega$ .

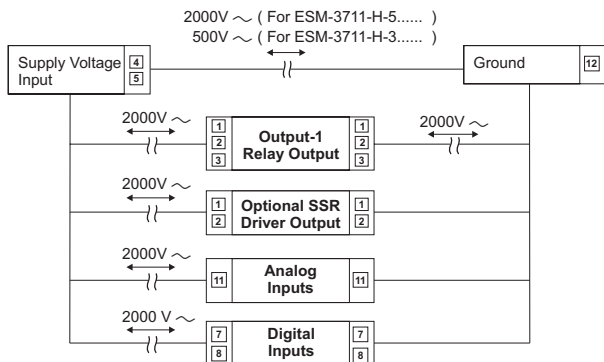
#### 3.5.3 PT-100 and PT-1000 Connection



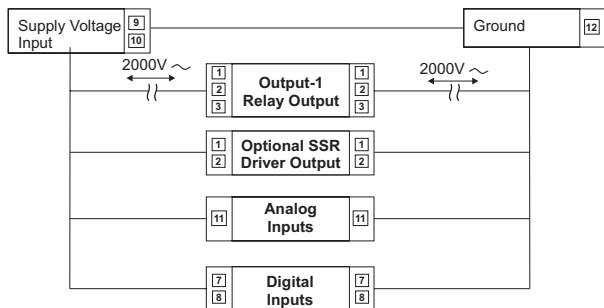
Input resistance is greater than 10M $\Omega$ .



### 3.6 Galvanic Isolation Test Values of ESM-3711-H Temperature Controller

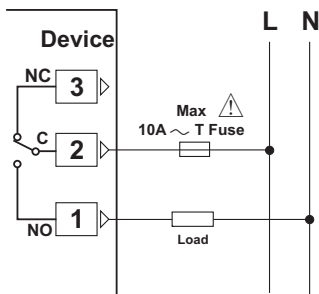


Galvanic Isolation Test Values for the devices with 12 V  $\approx$  Supply voltage input:



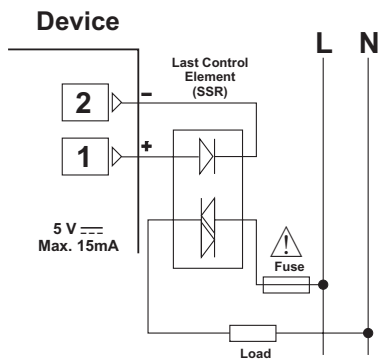
### 3.7 Output Connections

#### 3.7.1 Relay Output Connection



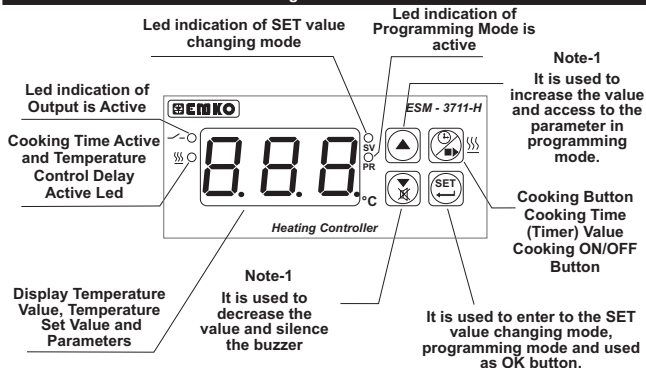
Fuses must be selected according to the application.

#### 3.7.2 Output (SSR Driver Output) Connection



Fuses must be selected according to the application.

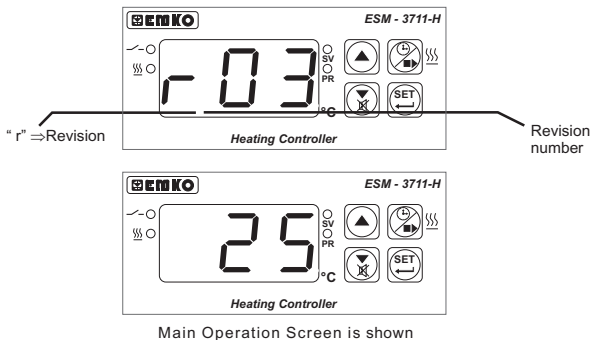
#### 4. Front Panel Definition and Accessing to the Menus



**Note-1:** If increment or decrement button is pressed for 5 seconds continuously, increment and decrement number become 10, if increment or decrement button is pressed for 10 seconds continuously, increment and decrement number become 100.

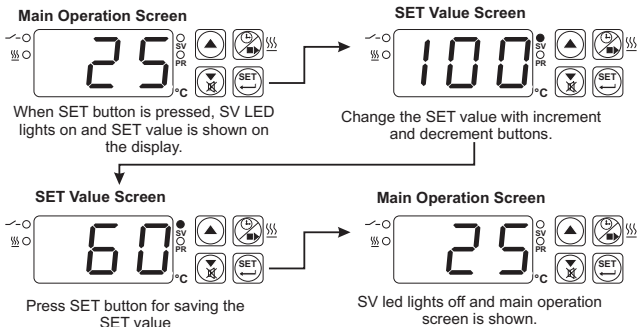
#### 4.1 Observation of Software Revision on the Displays

When power is first applied to the temperature controller, software revision number is shown on the displays.



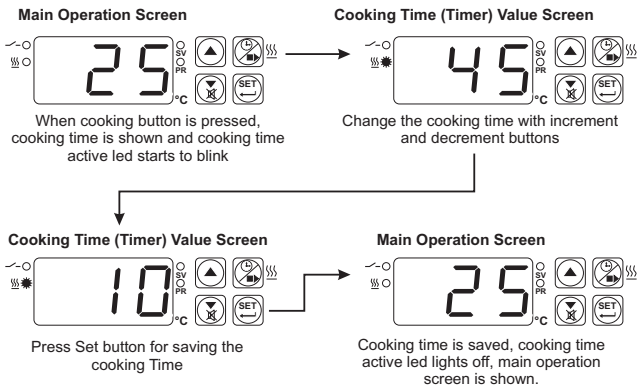
If there is an unexpected situation while opening the device, power off the device and inform a qualified personnel.

## 4.2 Changing and Saving Set Value



SET value is can be adjusted from minimum set value parameter  $[5UL]$  to maximum set value parameter  $[5UH]$ , Which can be accessed from programming parameters.

## 4.3 Changing and Saving Cooking Time (Timer) Parameter Value



If no operation is performed in cooking Time enter mode and Set value enter mode for 20 seconds, device turns to main operation screen automatically.

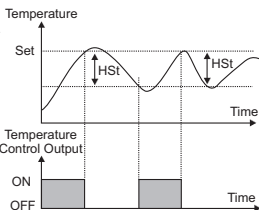
#### 4.4 Programming Mode Parameter List

**HSt**

##### Hysteresis Parameter for Output (Default = 0)

From 0 to 100 °C for TC Type devices,  
From 0 to 100 °C for PT-100 (-50°C, 400°C) and PT-1000 (-50°C, 400°C),  
From 0.0 to 10.0 °C for PT-100 (-19.9°C, 99.9°C) and PT-1000 (-19.9°C, 99.9°C)  
From 0 to 20 °C for PTC (-50°C, 150°C),  
From 0.0 to 10.0 °C PTC (-19.9°C, 99.9°C)

In ON/OFF control algorithm, temperature value is tried to keep equal to set value by opening or closing the last control element. ON/OFF controlled system, temperature value oscillates continuously. Temperature value's oscillation period or amplitude around set value changes according to controlled system. For reducing oscillation period of temperature value, a threshold zone is formed below or around set value and this zone is named hysteresis.



**SuL**

##### Minimum Set Value Parameter (Default = Input Type Minimum Scale)

Set value can not be lower than this value.  
This parameter value can be adjusted from minimum value of device scale to maximum set value parameter **SuH**

**SuH**

##### Maximum Set Value Parameter (Default = Input Type Maximum Scale)

Set value can not be greater than this value.  
This parameter value can be adjusted from minimum set value parameter **SuL** to maximum value of the device scale

**oFt**

##### Process Offset Parameter (Default = 0)

From -100 to 100°C for TC Type devices,  
From -100 to 100°C for PT-100 (-50°C, 400°C) and PT-1000 (-50°C, 400°C),  
From -10.0 to 10.0°C for PT-100 (-19.9°C, 99.9°C) and PT-1000 (-19.9°C, 99.9°C),  
From -20 to 20°C for PTC (-50°C, 150°C),  
From -10.0 to 10.0°C for PTC (-19.9°C, 99.9°C)

**PHd**

##### Temperature Control Delay at Power On (Default = 0)

It can be adjusted from 0 to 99 minutes.

**Ht1**

##### Cooking Time (Timer) Parameter (Default = 45)

It can be adjusted from 1 to 999 minutes. When it is 1, **---** can be observed by pressing decrement button on the display. So Manual Control is selected. In Manual control, user can start and stop temperature controlling with cooking ON/OFF button or cooking time start/stop input.

**PHS**

##### Selection of Temperature Control and Starting Cooking Time (Timer) Parameter (Default = 0)

- 0 Temperature control and cooking time (Timer) starts at power on
- 1 Temperature control starts at power on. Cooking time (Timer) can be started by pressing cooking ON/OFF button or when cooking time start/stop input is getting closed condition.
- 2 Temperature control and cooking time (Timer) can be started by pressing cooking ON/OFF button or when cooking time start/stop input is getting closed condition.

**HLS****Cooking Time Starting Conditions Parameter (Default = 0)**This parameter can be observed if cooking time (Timer)  $[HLS]$  is  $\geq 1$ . 0

Cooking time (Timer) is started with cooking ON/OFF button or when cooking time start/stop input is getting closed condition.

 1

Cooking time (Timer) is started when temperature reaches to the process set value after pressing cooking ON/OFF button or when cooking time start/stop input is getting closed condition.

**HCO****Temperature Controlling Continuity Selection Parameter (Default = 0)**Temperature controlling can be continues or stopped according to the selection. This parameter can be observed if cooking time (Timer)  $[HLS]$  is  $\geq 1$  0**Continuous Operation** : Temperature control starts after the temperature control starting delay at power on  $[PHD]$  is expired and continues. If buzzer function selection parameter  $[buf]$  is 1 or 4, at the end of the cooking time, (Timer) internal buzzer operates to indicate cooking time has finished. 1**Interrupted Operation** : Temperature control starts after temperature control starting delay at power on  $[PHD]$  is expired. Temperature control can be stopped at the end of the cooking time (Timer) or by pressing cooking ON/OFF button or when cooking time start/stop input is getting open condition. Temperature control does not start till cooking ON/OFF button is pressed again or when cooking time start/stop input is getting closed condition again.**ALS****Temperature Alarm Function Selection Parameter (Default = 0)** 0

Temperature Alarm function is inactive.

 1Absolute alarm is selected. If temperature is lower than  $[AuL]$  and higher than  $[AuH]$ , then alarm is on. 2Relative alarm is selected. Alarm operates according to the set value. If temperature is below (Set -  $[AuL]$ ) or above (Set +  $[AuH]$ ), alarm occurs.**AuL****Minimum Alarm Parameter (Default = Input Type Minimum Scale)**

It can be adjusted from minimum scale of the device to maximum alarm value (AuH).

**AuH****Maximum Alarm Parameter (Default = Input Type Maximum Scale)**

It can be adjusted from minimum alarm value (AuL) to maximum scale of the device.

**ADL****Alarm Delay Parameter (Default = 0)**

If an alarm occurs, delay can be defined with this parameter. It can be adjusted from 0 To 99 minutes.

**APD****Alarm Delay After Power On Parameter (Default = 0)**

This parameter defines the delay for the alarm is being active after power on. It can be adjusted from 0 to 99 minutes.

**buf****Buzzer Function Selection Parameter (Default = 1)** 0

Buzzer is inactive.

 1

Buzzer is active at the end of the cooking time.

 2

Buzzer is active if an alarm occurs.

 3

Buzzer is active during sensor failures.


 4

Buzzer is active at the end of the cooking time, alarm or sensor failures.

**bon****Buzzer is Active During This Time ( Default = --- )**

This parameter can be observed if buzzer function selection **[b u F]** is  $\geq 1$ . It can be adjusted from 1 to 99 minutes. When this parameter is 1, if decrement button is pressed, **[---]** is observed. Then buzzer becomes active till buzzer silence button

**Pr t****Button Protection Parameter ( Default = 0 )**

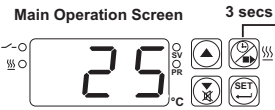
- [ 0 ]** There is no protection
- [ 1 ]** Cooking time(Timer) can not be changed. Cooking ON/OFF operation is not performed.
- [ 2 ]** SET value can not be changed
- [ 3 ]** Cooking time (Timer) and set value can not be changed. Cooking ON/OFF operation is not performed.
- [ 4 ]** Cooking time (Timer) and set value can not be changed. Cooking ON/OFF operation is performed when  button is pressed.

**PAS****Programming Mode Accessing Password ( Default = 0 )**


Password for entering to the programming mode is defined with this parameter. It can be adjusted from 0 to 999. If it is 0, programming mode accessed without entering password.

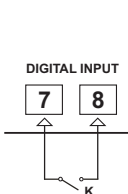
**4.5 Cooking Time (Timer) ON/OFF Operation****4.5.1 Cooking Time (Timer) ON/OFF Operation with Cooking Button**

**Main Operation Screen**



**3 secs**

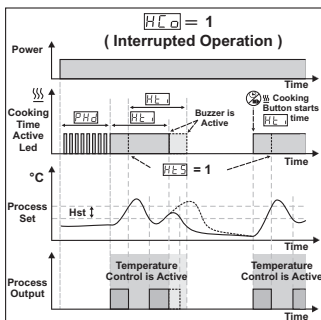
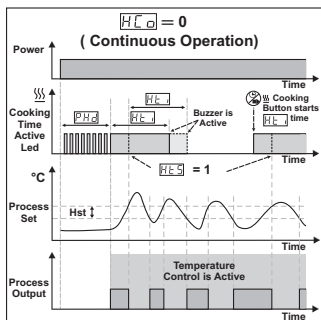
In main operation screen, If cooking button is pressed for 3 seconds, then cooking time (Timer) is started and cooking time active led becomes active. While cooking time (Timer) continues if cooking button is pressed for 3 seconds, cooking time (Timer) is finished and cooking time active led lights off. If button protection parameter **[Pr t] = 4** cooking time (Timer) ON/OFF operation is performed when  button is pressed.

**4.5.2 Cooking Time (Timer) ON/OFF Operation with Cooking Time Start/Stop Input**

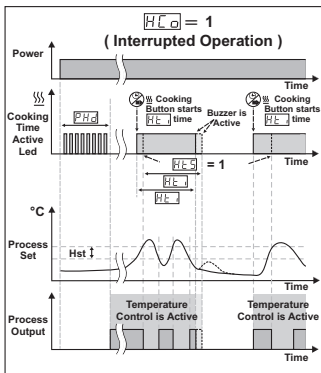
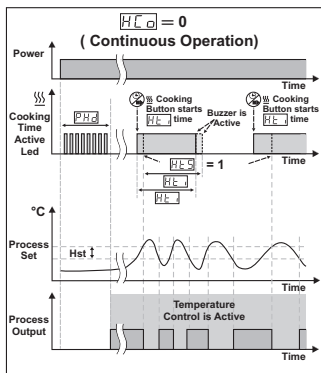
When K switch that is connected to the cooking time start/stop input, getting closed condition, cooking time (Timer) is started and cooking time active led becomes active. While cooking time (Timer) continues if K switch getting open condition, cooking time (Timer) is finished and cooking time active led lights off.

#### 4.6 Operation Graphics of ESM-3711-H Heating Controller

1- When cooking time parameter  $[Ht_1] \geq 1$ , if selection of temperature control and starting the cooking time parameter  $[PHS] = 0$  (Temperature control and cooking time starts at power on) is selected;

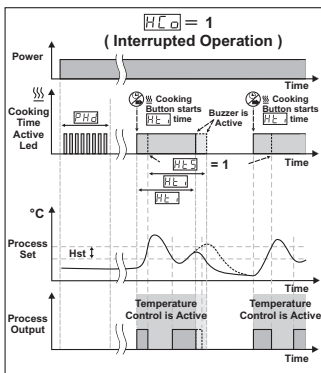
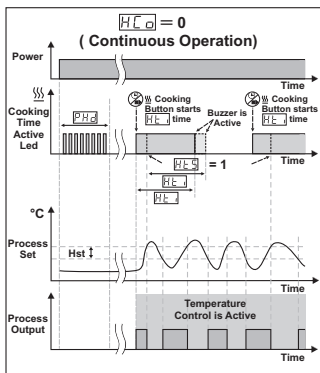


2- When cooking time parameter  $[Ht_1] \geq 1$ , if selection of temperature control and starting the cooking time parameter  $[PHS] = 1$  (Temperature control starts at power on. Cooking time (Timer) can be started by pressing cooking ON/OFF button or when cooking time start/stop input is getting closed condition) is selected;

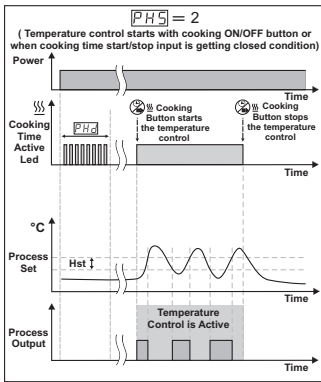
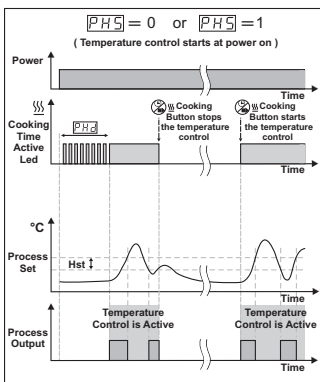




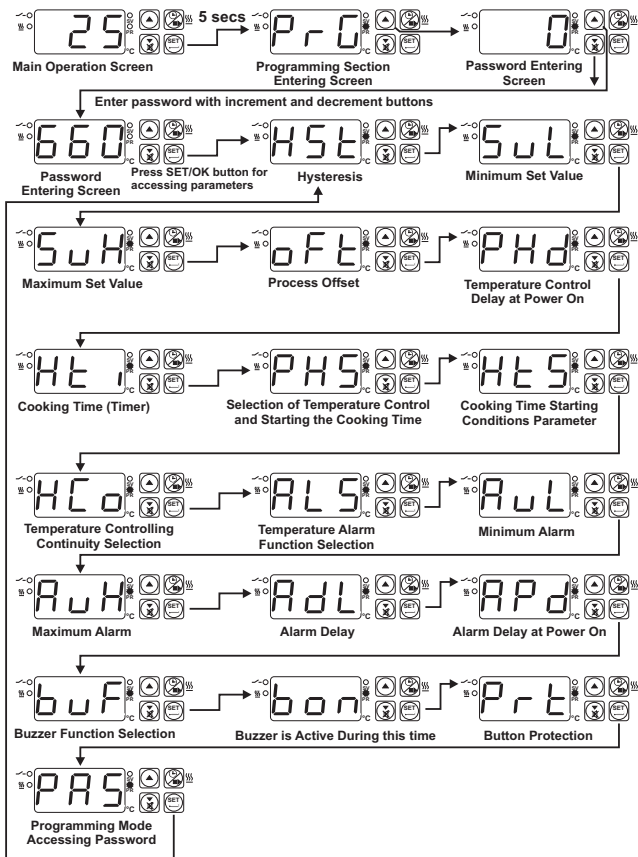
3- When cooking time parameter  $Ht_i \geq 1$ , if selection of temperature control and starting the cooking time parameter  $PHS = 2$  (Temperature control and cooking time (Timer) can be started by pressing cooking ON/OFF button or when cooking time start/stop input is getting closed condition) is selected;



4- Manual Control : If cooking time (Timer)  $Ht_i = ---$



## 4.7 Easy Access Diagram of Programming Mode Parameters



If no operation is performed in programming mode for 20 seconds, device turns to main operation screen automatically.

## 4.8 Entering to the Programming Mode, Changing and Saving Parameters

### Operation Screen



When SET button is pressed for 5 seconds, "PR" led starts to blink. If programming section entering password is different from 0, programming section entering screen [P r 0] is observed.

**Note-1:** If programming section accessing password is 0, hysteresis screen [H5L] is observed instead of programming screen accessing password [P r 0].



**Programming Section Entering Screen**  
Press increment button for accessing to the password



**Password Entering Screen**  
Enter Programming Section Accessing Password with increment and decrement buttons.



**Password Entering Screen**  
Press SET/OK button for accessing to the parameters.

**Note-2:** Parameters can be observed by pressing SET/OK button in password entering screen without entering the programming section entering password. But parameters can not be changed.

### Programming Screen



#### Hysteresis Parameter

Press increment button for accessing to the parameter value. Press Set button for accessing to the next parameter.



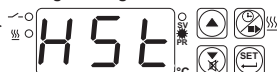
#### Hysteresis

Change the value with increment and decrement buttons.



#### Hysteresis

Press Set button for saving the parameter.

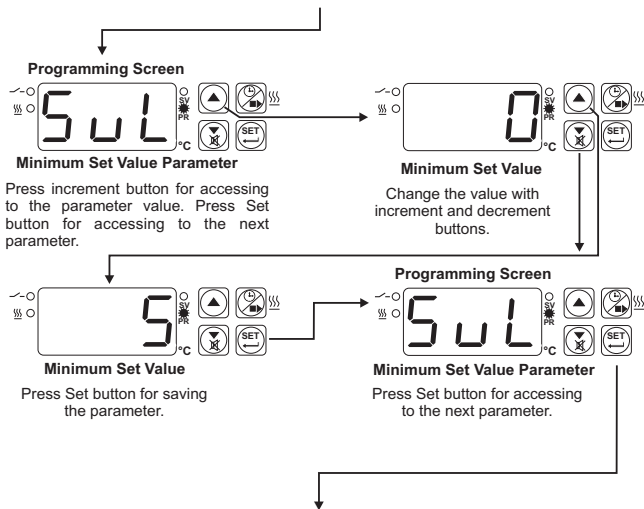


#### Hysteresis Parameter

Press Set button for accessing to the next parameter.



If no operation is performed in programming mode for 20 seconds, device turns to main operation screen automatically.

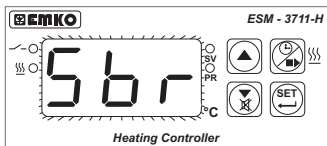


Other Programming mode parameters can be accessed with the same method explained above, observed and changed.

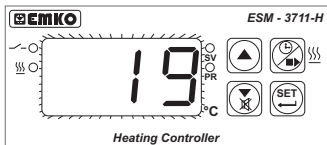


If no operation is performed in programming mode for 20 seconds, device turns to main operation screen automatically.

## 5. Failure Messages in ESM-3711-H Heating Controller



1- Probe failure in analog inputs. Sensor connection is wrong or there is no sensor connection. When this message is on the screen, if buzzer function selection parameter  $\text{bUF}$  is 3 or 4, internal buzzer starts to operate.



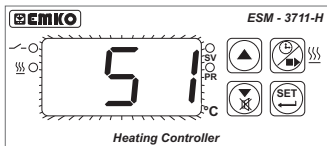
2-Blinking the Screen Value

If temperature higher than the alarm parameters limit, value on the screen starts to blink

Example-1 :

If alarm function selection parameter  $\text{ALS}$  in programming section is 1(Absolute alarm) and minimum alarm parameter  $\text{AUL}$  is 20 ;

When temperature is less than 20°C, value on the screen starts to blink. Also if buzzer function selection parameter  $\text{bUF}$  is 2 or 4, then internal buzzer is on.



Example-2 :

If alarm function selection parameter  $\text{AL5}$  in programming section is 1 (Absolute Alarm) and maximum alarm parameter  $\text{AUH}$  is 50

When temperature is above 50 °C, value on the screen starts to blink. Also buzzer function selection parameter  $\text{bUF}$  is 2 or 4, then internal buzzer is on.

## 6. Specifications

<b>Device Type</b>	: Heating Controller
<b>Housing&amp;Mounting</b>	: 77mm x 35mm x 62.5mm plastic housing for panel Mounting. Panel cut-out is 71x29mm.
<b>Protection Class</b>	: NEMA 4X (IP65 at front, IP20 at rear).
<b>Weight</b>	: Approximately 0.20 Kg.
<b>Environmental Ratings</b>	: Standard, indoor at an altitude of less than 2000 meters with none condensing humidity.
<b>Storage / Operating Temperature:</b>	: -40 °C to +85 °C / 0 °C to +50 °C
<b>Storage / Operating Humidity</b>	: 90 % max. (None condensing)
<b>Installation</b>	: Fixed installation
<b>Overvoltage Category</b>	: II.
<b>Pollution Degree</b>	: II, office or workplace, none conductive pollution
<b>Operating Conditions</b>	: Continuous
<b>Supply Voltage and Power</b>	: 230V ~ (± 15%) 50/60 Hz. 1.5VA 115V ~ (± 15%) 50/60 Hz. 1.5VA 24V ~ (± 15%) 50/60 Hz. 1.5VA 24 V ≈ (-%15, +%10) 50/60 Hz. 1.5 VA 12 V ≈ (± 15%) 50/60 Hz. 1.5 VA
<b>Temperature Sensor Inputs</b>	: PTC, TC, RTD
<b>PTC Input Type</b>	: PTC (1000 Ω @ 25 °C )
<b>Thermocouple Input Types</b>	: J, K (IEC584.1)(ITS90)
<b>Thermoresistance Input Type</b>	: PT-100, PT-1000 (IEC751)(ITS90)
<b>Accuracy</b>	: ±1 % of full scale for thermocouple and thermoresistance
<b>Cold Junction Compensation</b>	: Automatically ± 0.1°C/1°C.
<b>Sensor Break Protection</b>	: Upscale
<b>Sampling Cycle</b>	: 3 samples per second
<b>Control Form</b>	: ON / OFF
<b>Relay Output</b>	: 10A@250V ~ for resistive load (Electrical Life : 100.000 switching at full load)
<b>Optional SSR Output</b>	: Maximum 15 mA@5 V ---
<b>Display</b>	: 14 mm Red 3 digits LED Display
<b>LED</b>	: SV (Green) , Output Active (Red) , PR(Red) , Cooking Time Active (Red) 3 mm Led
<b>Internal Buzzer</b>	: ≥83dB
<b>Approvals</b>	: GOST-R, CE