



Bild 1: Ansicht Geräte
Figure 1: View of units
Figure 1: Vue des appareils
Figura 1: Vista degli apparecchi
Figura 1: Vista de aparatos



Bild 2: Maßbild
Figure 2: Dimensions
Figure 2: Dimensions
Figura 2: Dimensione
Figura 2: plano acotado

Description

The PSU100P SITOP power supplies are provided for Indoor and Outdoor application, degree of protection IP67, protection class I.

Primary switched-mode power supplies for connection to 1-phase AC system (TN, TT system in accordance with VDE 0100 T 300 / IEC 364-3) with rated voltages of 120/230 V, 50/60 Hz; +24 V DC output voltage, isolated, short-circuit-proof and idling-proof.

See also Figure 1

Safety notes

NOTICE

Appropriate transport, proper storage, mounting, and installation, as well as careful operation and service, are essential for the error-free, safe and reliable operation of the device/system.

Setup and operation of this device/system are permitted only if the instructions and warnings of the corresponding documentation are observed.

Only qualified personnel are allowed to install the device/system and set it into operation.

Assembling

Wall mounting.

The device must be mounted in such a way that the input and output terminals are at the bottom.

A clearance of at least 50 mm must be maintained above and 20mm in front of the device .

See also Figure 2

See also Figure 4

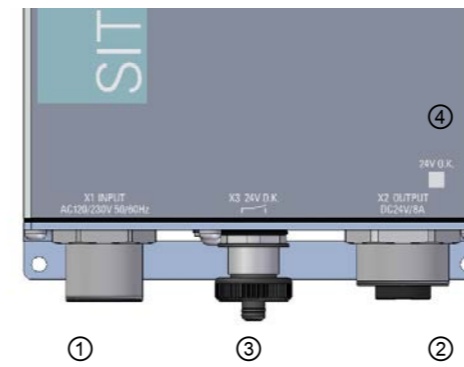


Bild 3: Input ① Output ②, Meldekontakt ③

Figure 3: Input ① Output ②, signaling contact ③

Figure 3: Input ① Output ②, contact de signalisation ③

Figura 3: Input ① Output ②, contatto di segnalazione ③

Figura 3: Entradas ① Salidas ②, contacto de señalización ③

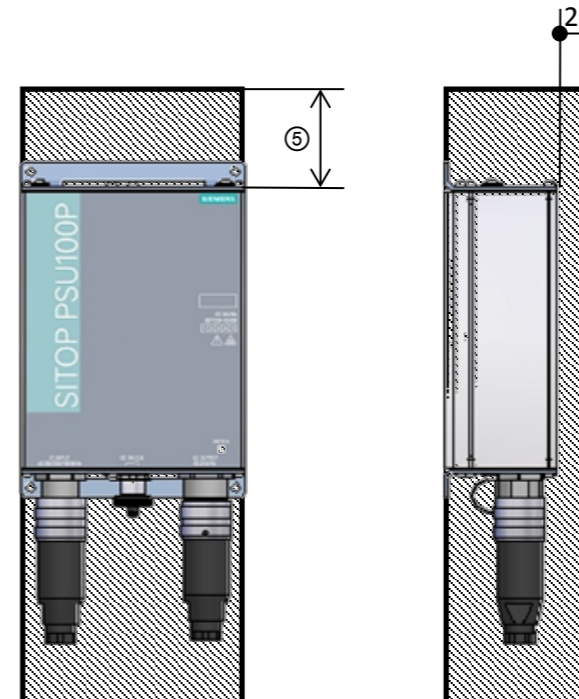


Bild 4: ⑤ Freiraum für Kühlung

Figure 4: ⑤ Required clearance for cooling

Figure 4: ⑤ Espace libre pour refroidissement

Figura 4: ⑤ Spazio libero per raffreddamento

Figura 4: ⑤ Espacio libre para refrigeración

Connecting

⚠ WARNING

Before installation or maintenance work can begin, the system's main switch must be switched off and measures taken to prevent it being switched on again. If this instruction is not observed, touching live parts can result in death or serious injury. It is only permissible to use an insulated screwdriver when actuating the potentiometer. For installation of the devices, the relevant country-specific regulations must be observed.

The supply voltage (1 AC 120/230 V) must be connected in accordance with IEC 60364 and EN 50178.

Instructions for UL compliant use:

The input/output connection is to be made using UL-Listed (CYJV) connector/cable combination with minimum ratings of 300 V, 8 A, 60°C operating temperature.

The signal connection is to be made using UL-Listed (CYJV) connector/cable combination with minimum ratings of 240 V, 4 A, 60°C operating temperature.

Plug connectors are not included

Input ①:
cable connector 7/8"-16UN 3 Pol.
E.g. Binder 99-2440-12-03

Output ②:
cable connector 7/8"-UN 4-Pol
E.g. Binder 99-2443-12-04

Signaling Contact ③:
cable connector M12, 4-Pol
E.g. Binder 99-0429-14-04

See also Figure 3

Structure

①	AC input
②	DC output
③	Signaling contact
④	Indicator light (24 V OK)
⑤	Clearance for cooling

Power Rating [%] 60°C

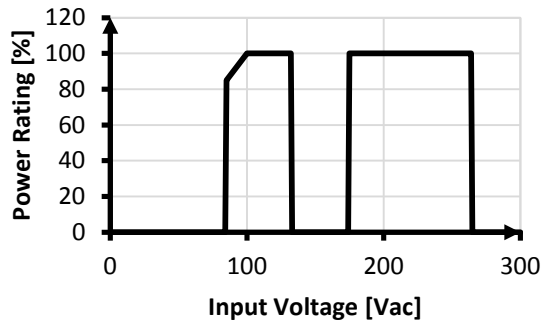
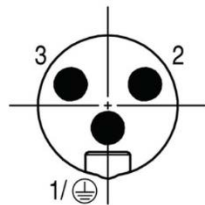


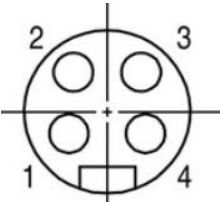
Bild 5: Derating
Figure 5: Derating
Figure 5: Déclassement
Figura 5: Derating
Figura 5: Reducción de potencia

Input ①



1	PE
2	L1
3	N

Output ②



1	- (-1)
2	- (-2)
3	+ (+1)
4	+ (+2)

Meldekontakt, signaling contact ③

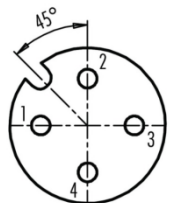


Bild 6: Anschlussbelegung
Figure 6: Contact arrangement
Figure 6: Brochage
Figura 6: Schema dei contatti
Figura 6: Asignación de conectores

Operating mode

Signaling
⑤ LED is green: Output voltage OK
Alarm signals
③ Signaling contact: Output OK Contact rating 30 V AC/0.5 A, 30 V DC/1 A

See also Figure 4

Technical data

6EP1333-7CA00 24 V/5 A	6EP1334-7CA00 24 V/8 A
① Input variables	
Rated input voltage $U_{in \text{ rated}}$: 1 AC 120/230 V 50/60 Hz	
Voltage range: 1 AC 85-132/170-264 V	
Rated input current $I_{in \text{ rated}}$: At nominal load	
2,3/1,3 A	3,6A/1,6 A
Input fuse: Internal	
Recommended miniature circuit breaker: Characteristic C or B min.: 6 A	
Power consumption (active power) full load (typical)	
133 W	206 W
② Output variables	
Rated output voltage $U_{out \text{ rated}}$:	
24 V	24 V
Rated output current $I_{out \text{ rated}}$:	
5 A	8 A
Ambient conditions	
Temperature for operation: -25...+60 °C; Natural convection. No direct sunlight. Derating In Voltage $U_{in} < 100$ V output power reduction depending on the ambient temperature. See Figure 5	
Protective function	
Current limitation at permanent overload $< 1,3 \times I_{OUT \text{ rated}}$	
Characteristic of current limitation constantly decreasing to 20V. Hiccup mode below 20 V.	

Dimensions width × height × depth in mm:	
120x155x61 mounting lug and plugs not included	120x155x61 mounting lug and plugs not included

SITOP IP65/67 Portfolio

- Function expansion possible using DC UPS (UPS500P)
- Power supply PSU300P for 3ph connection (3 AC 400 – 500V)

www.siemens.com/sitop

Disposal guidelines

Packaging and packaging aids can and must always be recycled. The product itself may not be disposed of by means of domestic refuse.

Service and Support

<http://support.automation.siemens.com>

Telephone: + 49 (0) 911 895 7222