

SIEMENS

SITOP UPS1100

Batteri modul 1,2 Ah

6EP4131-0GB00-0AY0

Batteri modul 3,2 Ah

6EP4133-0GB00-0AY0

Batteri modul 7 Ah

6EP4134-0GB00-0AY0

Operating Instructions (compact)

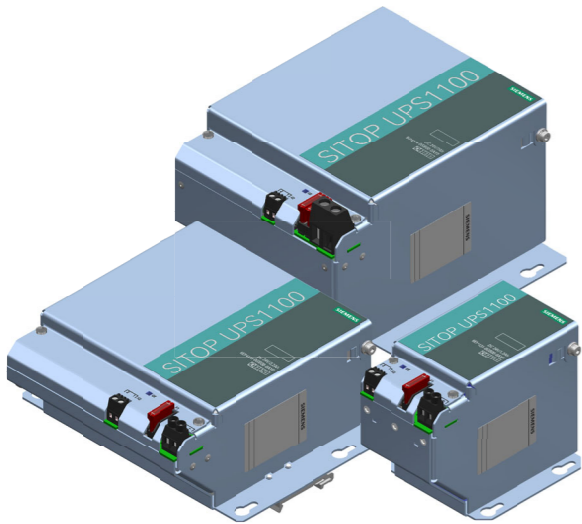


Bild 1: Ansicht Geräte
Figure 1: View of the devices
Figure 1: Vue des appareils
Figura 1: Vista degli apparecchi
Figura 1: Vista de aparatos

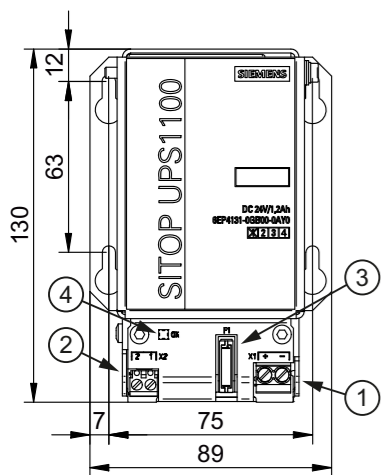


Bild 2: Montage 1,2 Ah
Figure 2: Mounting 1.2 Ah
Figure 2: Montage 1,2 Ah
Figura 2: Montaggio 1,2 Ah
Figura 2: Montaje 1,2 Ah

ENGLISH

Description

The 24 V/1.2 Ah, 3.2 Ah or 7 Ah battery module has 2x maintenance-free, sealed lead AGM rechargeable batteries as well as terminals for the connecting cables to the uninterruptible power supply SITOP UPS1600.
degree of protection IP20 according to EN 60529

See Figure 1 View of the devices (Page 1)

Safety notes

NOTICE

The fuses should only be inserted in the fuse holder when commissioning the device.

When replacing the rechargeable batteries, always use batteries with the same batch number. (approximately the same charge state).

The rechargeable batteries must be disposed of, discharged according to the applicable regulations.

When storing, installing and operating the buffer batteries, the regulations of VDE 0510 Part 2 / EN 50272-2 or the applicable national regulations must be complied with.

It must be ensured that the battery location is suitably ventilated.

Location of the battery module: In the lower part of the control cabinet or at the coolest location in the control cabinet.

Only qualified personnel are allowed to install the device/system and set it into operation.

Assembling

Direct wall mounting
or
DIN EN 60715-TH35-15/7,5 for 1.2 Ah
or
DIN EN 60715-TH35-15 for 3.2 Ah

The device must be mounted in such a way that the input and output terminals are at the bottom.

A clearance of at least 50 mm must be maintained above and below the device.

See Figure 2 Mounting 1.2 Ah (Page 1)

See Figure 3 Mounting 3.2 Ah (Page 2)

See Figure 4 Mounting 7 Ah (Page 2)

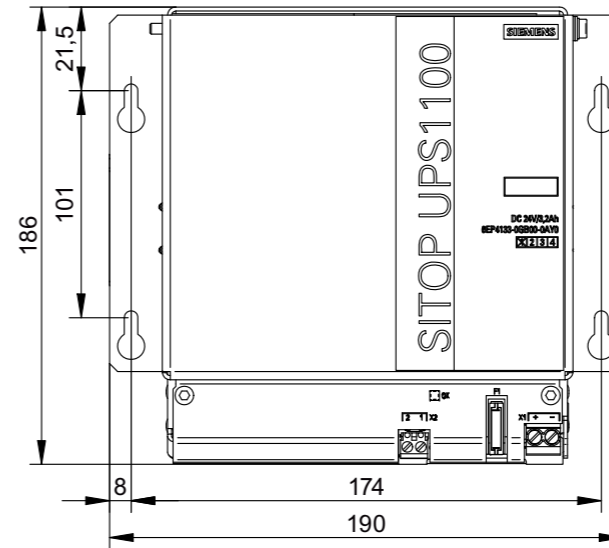


Bild 3: Montage 3,2 Ah
Figure 3: Mounting 3.2 Ah
Figure 3: Montage 3,2 Ah
Figura 3: Montaggio 3,2 Ah
Figura 3: Montaje 3,2 Ah

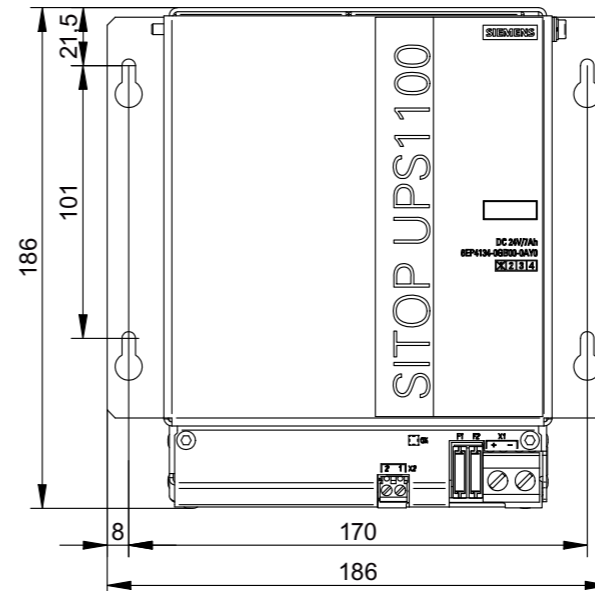


Bild 4: Montage 7 Ah
Figure 4: Mounting 7 Ah
Figure 4: Montage 7 Ah
Figura 4: Montaggio 7 Ah
Figura 4: Montaje 7 Ah

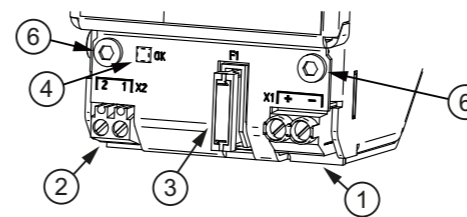


Bild 5: Input/Output 1,2 Ah
Figure 5: Input/output 1.2 Ah
Figure 5: Entrée/sortie 1,2 Ah
Figura 5: Input/Output 1,2 Ah
Figura 5: Entrada/salida 1,2 Ah

Connecting

For installation of the devices, the relevant country-specific regulations must be observed.

See Figure 5 Input/output 1.2 Ah (Page 2)

See Figure 6 Input/output 7 Ah (Page 3)

See Figure 7 Terminal data 1.2 Ah/3.2 Ah (Page 3)

See Figure 8 Terminal data 7 Ah (Page 3)

Structure

①	DC input X1
②	Signal terminal X2
③	Fuses F1/F2 (F2 only for 7 Ah)
④	Signaling (LED)
⑥	Screws for battery replacement (Torx T10)

See Figure 5 Input/output 1.2 Ah (Page 2)

See Figure 6 Input/output 7 Ah (Page 3)

Battery

2x maintenance-free lead AGM rechargeable batteries
12 V/1.2 Ah: Type: YUASA NP1.2-12
12 V/3.2 Ah: Type: YUASA NP3.2-12 or B.B.Battery BP3.6-12
12 V/7 Ah: Type: YUASA NP7-12 or B.B.Battery BP7-12

Battery replacement

- Remove the fuse
- Release the screws ⑥, open the cover
- Press the reset button for at least 2s (LED flashes)
- Replacing the battery
- Press the reset button for at least 2s
- Close the cover (screw)
- Insert the fuse

See Figure 9 Reset (Page 3)

See Figure 10 Wiring schematic (Page 4)

The self-discharge rates of the rechargeable batteries is approx. 3%/month for a temperature of 20 °C. This value is temperature dependent, and for an increasing temperature, becomes more unfavorable and for a decreasing temperature, more favorable.

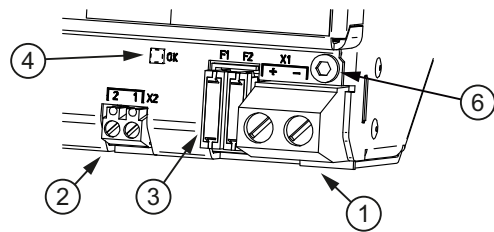


Bild 6: Input/output 7 Ah
 Figure 6: Input/output 7 Ah
 Figure 6: Entrée/sortie 7 Ah
 Figura 6: Input/Output 7 Ah
 Figura 6: Entrada/salida 7 Ah

	①	②
	SZS 0,6 x 3,5	SZS 0,6 x 3,5
	1 x 0,2 - 6 mm ²	1 x 0,14 - 4 mm ²
	1 x 0,2 - 4 mm ²	1 x 0,14 - 2,5 mm ²
AWG	24 - 10	22 - 12
Nm	0,5 Nm	0,5 - 0,7 Nm
	8 mm	6,5 mm

Bild 7: Klemmdaten 1,2 Ah/3,2 Ah
 Figure 7: Terminal data 1.2 Ah/3.2 Ah
 Figure 7: Caractéristiques des bornes 1,2 Ah/3,2 Ah
 Figura 7: Dati dei morsetti 1,2 Ah/3,2 Ah
 Figura 7: Datos de bornes 1,2 Ah/3,2 Ah

	①	②
	SZS 1,0 x 5,5	SZS 0,6 x 3,5
	1 x 0,5 - 16 mm ²	1 x 0,14 - 4 mm ²
	1 x 0,5 - 16 mm ²	1 x 0,14 - 2,5 mm ²
AWG	26 - 6	22 - 12
Nm	1,2 - 1,5 Nm	0,5 - 0,7 Nm
	12 mm	6,5 mm

Bild 8: Klemmdaten 7 Ah
 Figure 8: Terminal data 7 Ah
 Figure 8: Caractéristiques des bornes 7 Ah
 Figura 8: Dati dei morsetti 7 Ah
 Figura 8: Datos de bornes 7 Ah

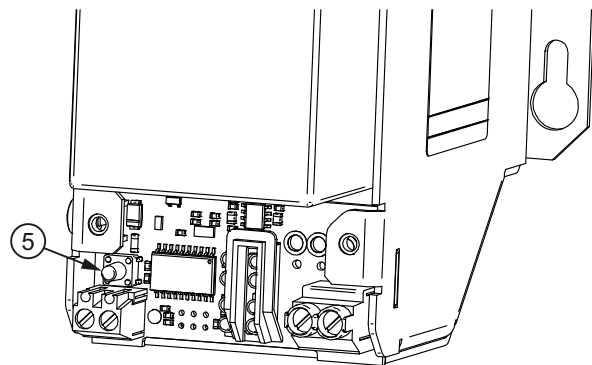
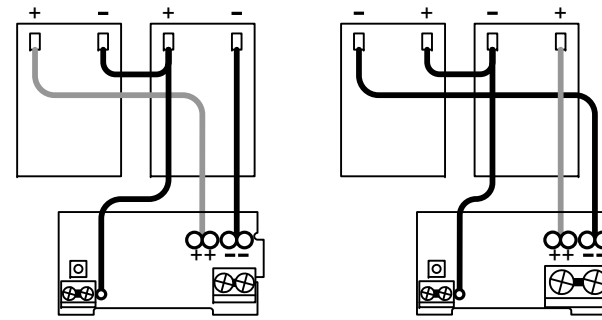


Bild 9: Reset
 Figure 9: Reset
 Figure 9: Reset
 Figura 9: Reset
 Figura 9: Reset

Technical data

Input variables
Rated input voltage $U_{e \text{ rated}}$: 24 V DC
Input voltage range: 21 to 29 V DC
Output variables
Rated output current $I_{a \text{ rated}}$:
UPS1100 1.2 Ah: 10 A
UPS1100 3.2 Ah: 20 A
UPS1100 7 Ah: 40 A
Backup
Flat fuse 15 A (provided in the packet of accessories) for the 1.2 Ah rechargeable battery
Flat fuse 25 A (provided in the packet of accessories) for the 3.2 Ah or 7 Ah rechargeable battery (2x)
Ambient conditions
Temperature for operation: 0... +40 °C
Temperature for operation: -20... +50 °C
Pollution degree 2
Natural convection
Connections
2 pin screw terminals X1 2x connections, rechargeable battery (+Bat and -Bat)
2 pin screw terminals X2 2x signal connections
See Figure 7 Terminal data 1.2 Ah/3.2 Ah (Page 3) see Figure 8 Terminal data 7 Ah (Page 3)
See also Figure 5 Input/output 1.2 Ah (Page 2)
See also Figure 6 Input/output 7 Ah (Page 3)
Dimensions
1.2 Ah: width x height x depth in mm: 89 x 130 x 107
3.2 Ah: width x height x depth in mm: 190 x 169 x 79
7 Ah: width x height x depth in mm: 186 x 186 x 110



6EP4131-0GB00-0AY0 1,2Ah
 6EP4133-0GB00-0AY0 3,2Ah
 6EP4134-0GB00-0AY0 7Ah

Bild 10: Verdrahtungsschema
 Figure 10: Wiring schematic
 Figure 10: Schéma de câblage
 Figura 10: Schema di cablaggio
 Figura 10: Esquema de cableado

Weight
1.2 Ah: 1.9 kg
3.2 Ah: 3.8 kg
7 Ah: 6.1 kg

Accessories

SITOP UPS1600
www.siemens.com/sitop

Service and Support

You can obtain additional information through the homepage www.siemens.de/sitop/manuals
http://support.automation.siemens.com telephone: + 49 (0) 911 895 7222