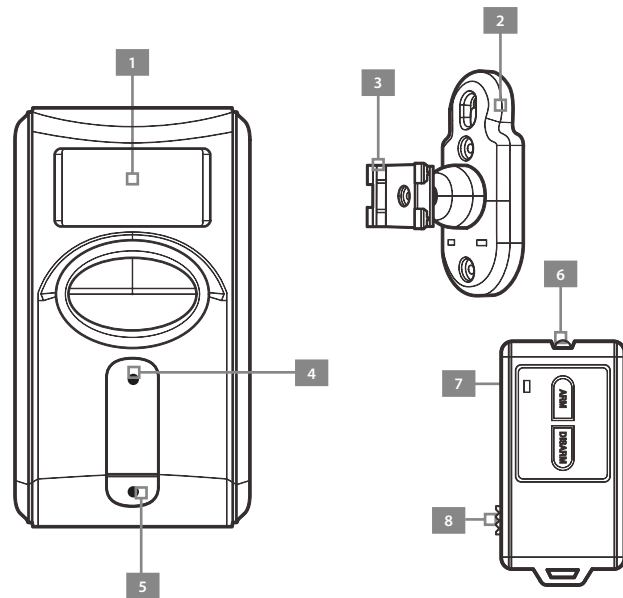


# Motion Detector Alarm with Remote Control

Instruction manual



1. PIR-sensor

2. Mounting bracket

3. Halteclip

4. Indicator light

5. IR-sensor

6. IR-sensor

7. Indicator light

8. ALARM/CHIME button

We are pleased that you have decided to buy our product. We wish you have a lot of fun with this product.

Information on this user manual. This user manual contains important information for the safe use of the product. Therefore, for your own safety and for a successful use, please read this user manual completely before assembling and using the product.

Keep the packing and user manual in a safe place for future transport. When passing on the product to another person, be sure to include the user manual.

## LIABILITY

No liabilities will be taken for damages or claims resulting out of not reading and/or not following the user guide and/or any form of modification on or in the product. Under these circumstances, no warranty services will be given. Liability cannot be taken for consequential damages.

## DESIGNATED USE

This motion-detector alarm is a simple, wireless security system for your home and only suitable for indoor use. Additionally, it can be used as a gong or panic alarm via remote control.

The designated use is also defined by the instruction manual and in following the appliance and the warnings mentioned in this user manual. This device is only designed for your personal safety and convenience not for commercial or industrial use.

## GENERAL NOTES

All mentioned company and product names are registered trademarks under the rights of their owners. © All rights reserved.

The contents of this user manual may differ from the product. If so, please consult additional manuals in the packing. Keep this user manual in a safe place. If you give this product away to a third party, make sure that you also pass on the user manual.

The CE conformity has been declared and proven, and the corresponding documents have been deposited with the manufacturer. For the reason of safety and CE-licensing it is not allowed to modify this unit in any way and/or use it for functions, other than the designated use. Only original spare parts may be used.

## SERVICE ADDRESS

lived non food GmbH  
TOR 8 – 9  
Donaustraße 20  
D-38120 Braunschweig

Phone: +49 (0) 531 224 356 82  
E-Mail: [service@x4-life.de](mailto:service@x4-life.de)  
Internet: [www.x4-life.de](http://www.x4-life.de)

## IMPORTER ADDRESS

lived non food GmbH  
Donaustraße 20  
D-38120 Braunschweig

E-Mail: [info@lived-non-food.de](mailto:info@lived-non-food.de)  
Internet: [www.lived-non-food.de](http://www.lived-non-food.de)

## SIGNAL WORDS

**! DANGER** High risk! Failure to observe this regulation may mean danger to life and limb!

**! WARNING** Medium risk! Failure to observe this regulation may lead to property damage.

**! CAUTION** Little or no risk! Regulations to observe when handling this product.

## SAFETY GUIDE

Please read the safety guide before using the product. This information is for your safety and the protection of the device and devices connected. You will also find specific safety instructions in the following chapters of this user manual.

**! DANGER!** Dangerous for children or other groups of people!

This product or its packaging are no toys and should not be handled by infants and small children. Children cannot assess the dangers connected with electrical devices and/or packaging material. Do not leave the packaging material lying around.

Keep batteries and rechargeable batteries away from children. Expired or damaged batteries can cause cauterization on contact with the skin.

**! DANGER!** Danger to life!

This device should only be opened and/or repaired by an expert or a person who is qualified to do so. Only original spare parts may be used. If you have doubts on the function or questions, please contact your local dealer or our service center.

**! WARNING** Misuse may lead to property damage!

Use indoors only.

Keep this product away from water or any other dampness. If the product is moved from a cold to a warm room, condensation can occur within the unit. Let the device reach room temperature, before using it.

The product may not be subjected to extreme heat or cold. Do not expose the product to intense sunlight, open fire or other heat sources: Working temperature: 0°C to 40°C

## CLEANING AND MAINTENANCE

**! WARNING** Always use a soft, dry and lint-free cloth to clean the unit's exterior. If the device is extremely dirty you can use a soft cloth, dampened with water or a mild cleaning solution to clean.

Never use any abrasive or harsh cleaning agents (e.g. alcohol, petrol or thinners) as these could damage the controls, casing, accessories or any markings and labels found on the device.

## TECHNICAL DATA

Frequency	Infrared
Protection Class	IP20
Power Supply Infrared Remote Control	1x 3 V battery (CR2032)
Power Supply Motion Detector	3x 1,5 V batteries (AA, L6/LR6)
Dimensions Motion Detector	115 x 66 x 34 mm
Weight Motion Detector	82 g
Dimensions Infrared Remote Control	64 x 33 x 8 mm
Weight Infrared Remote Control	14 g

## CONTENTS

Motion detector
Remote control
Mounting base
Batteries
Manual DE/EN

## INTRODUCTION

The infrared motion detector triggers an alarm when people or animals move at its detection zone.

### The system features three functions

**1. ALARM:** A loud and continuous alarm signal sounds when something is moving at the detection zone.

**2. CHIME:** The sound of a chime is activated when something is moving at the detection zone.

**3. PANIC ALARM:** When pressing both buttons of the remote control for 2 seconds, the alarm signal is activated immediately.

## CONNECTION AND START-UP

The motion detector can be placed wall mount using the bracket. The fixing clip can be turned in different directions.

### Safety Information

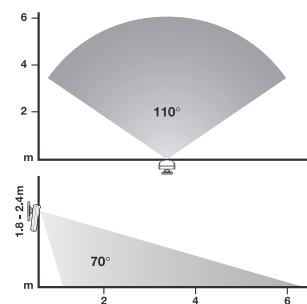
Take care when drilling, to ensure that no cables or in-wall wiring is damaged. Otherwise, this may result in a life-threatening electric shock! Use appropriate search equipment to reveal hidden cables.

Personal protective equipment, as well as protective goggles have to be used at any time. While working near the alarm signal hearing protectors are required.

Please ensure your safety when working with electrical tools. Follow the safety instruction of the manuals.

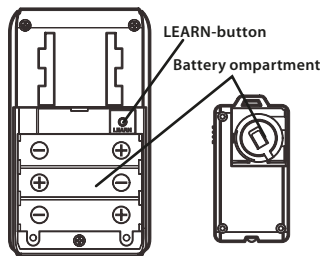
Select your desired location to mount the Motion Detector. Ideal installation height is 1,8 to 2,4 meters. Please note the detection zone via this table:

2. Please note the detection zone via this table:



3. Mount the wall bracket using the included screws at your desired location.

4. Install the batteries. (LEARN button, battery compartment)



### Installing batteries Remote Control

- ▶ The remote control uses a 3 V battery (CR2032).
- ▶ Slide of the cover of the battery compartment
- ▶ Install the battery with the PLUS-pole at the top.
- ▶ Close the battery compartment.

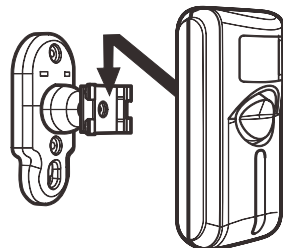
### Installing batteries Motion Detector

- ▶ The Motion Detector uses three 1,5 V batteries (AA, L6/LR6).
- ▶ Remove the screw of the battery compartment and slide of the cover.
- ▶ Install the batteries. The MINUS-pole has to be set to the spring.
- ▶ Close the battery compartment and secure the screw.
- ▶ The Motion Detector is provided with a battery control lamp. When the lamp flashes, batteries have to be replaced.

### 5. Setting up a connection

- Open the battery compartment (for further advice please see "Install batteries")
- The batteries have to be installed.
- Press the "LEARN" button.
- Point the remote control at the front of the Motion Detector and press the "ARM" button. After a successfully set up connection a single short tone will sound and the lamp will stop flashing.
- Close the battery compartment.

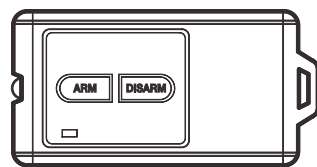
6. When connecting the Motion Detector to the wall bracket pay attention to the "Click" sound. It ensures a secure hold of the Motion Detector.



7. Choose the desired mode "ALARM/CHIME" with the remote control.



8. Turn on the function via the remote control.



## ALARM

### Alarm Function

The alarm function is used to set off a loud alarm when motion is detected at the detection zone.

### Activate

Slide the switch at the remote control to "Alarm". Point the remote control towards the front of the motion detector and press the "ARM" button. The alarm sounds and the warning lamp starts flashing.

After a 45 seconds exit delay the alarm sounds. This exit delay allows to leave the protected area.

As soon as a motion is detected at the detection zone the lamp starts flashing and a short tone will sound. The alarm will start 30 seconds later, to allow switching off the alarm with the remote control. If not switched off, the alarm will sound for 30 seconds. 15 seconds later the detection zone will be scanned again. If still motion is detected the alarm will start again. This procedure is repeated until the alarm is switched off.

### Deactivate

Point the remote control at the front of the motion detector and press "DISARM". The alarm is now deactivated.

*The alarm has to be switched off within 30 seconds or the alarm is triggered.*

## CHIME

### Chime Function

The chime function is used to warn when motion is detected at the detection zone.

### Activate

Slide the switch at the remote control to "Chime". Point the remote control towards the front of the motion detector and press the "ARM" button.

*The chime will be immediately activated when motion is sensed at the detection zone.*

### Deactivate

Point the remote control at the front of the motion detector and press "DISARM". The chime is now deactivated.

## PANIC FUNCTION

To release an immediate alarm signal point the remote control towards the front of the motion detector and press "DISARM" and "ARM" simultaneously for 2 seconds. To deactivate the panic function point the remote control towards the front of the motion detector and press "DISARM".

## TESTING THE MOTION DETECTOR

Slide the switch of the remote control to "CHIME", point it towards the motion detector and press "ARM". The chime sounds once. Please wait for 15 seconds and move at the detection zone. If the chime is activated immediately, the motion detector is working properly.

## DISPOSAL

Electrical- and electronic devices must never be disposed of in the regular household waste!



Consumers are legally obligated and responsible for the proper disposal of electronic and electrical devices by returning them to collecting sites designated for the recycling of electrical and electronic equipment waste. For more information concerning disposal sites, please contact your local authority or waste management company.

Do not throw batteries and rechargeable batteries into the household waste!



Customers are legally obliged to return used and rechargeable batteries, whether they contain harmful substances\* or not, designated disposal sites or collecting sites in shops selling batteries. By doing so you are contributing to a better and cleaner environment.

\* marking: Cd= Cadmium; Hg= Mercury; Pb= Lead