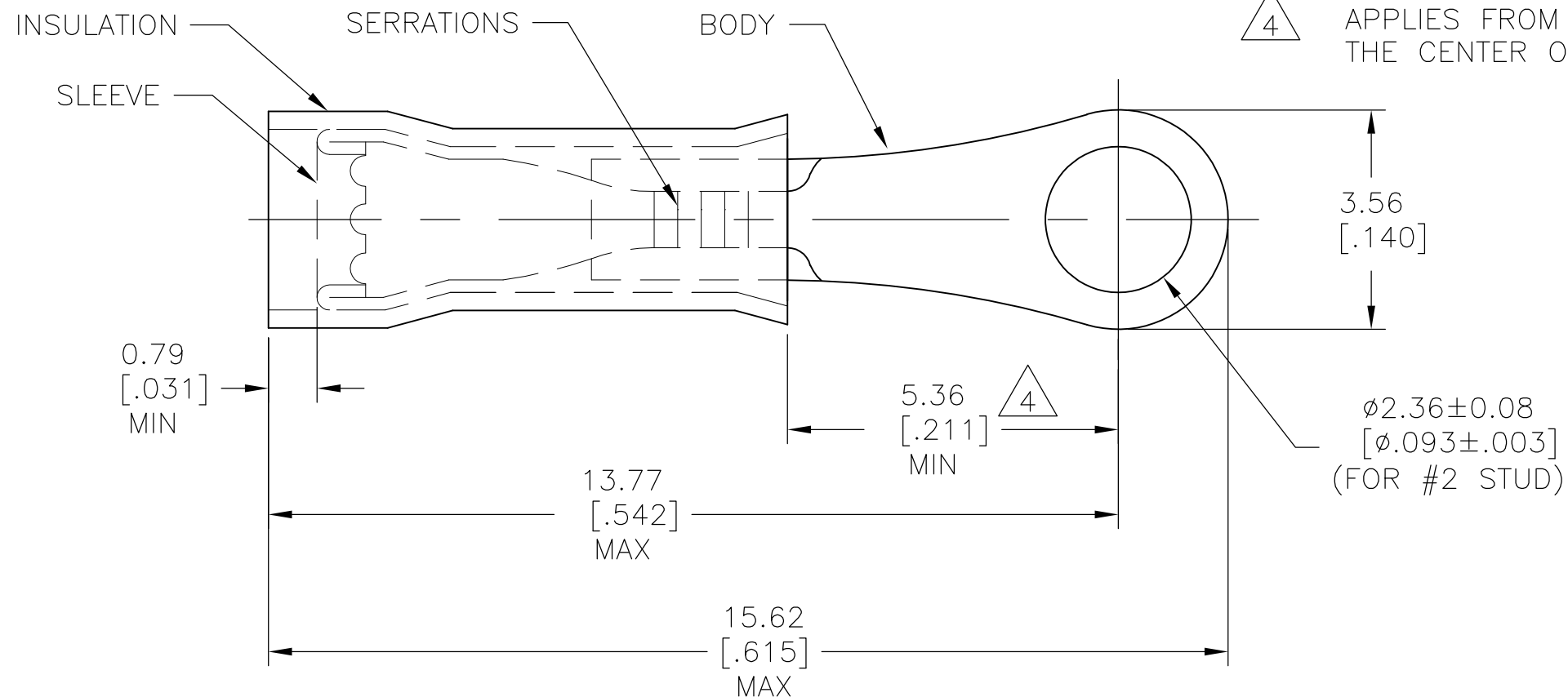


THIS DRAWING IS UNPUBLISHED. RELEASED FOR PUBLICATION
 © COPYRIGHT BY TYCO ELECTRONICS CORPORATION. ALL INTERNATIONAL RIGHTS RESERVED.

LOC	DIST	REVISIONS					
		P	LTR	DESCRIPTION	DATE	DWN	APVD
G	14		G1	REVISED PER ECR-09-017960	28AUG09	HMR	JR

- 1 FOR 1.27 [.050] TO 2.08 [.082] WIRE INSULATION DIA
- 2 TONGUE MATERIAL THK = 0.46±0.05 [.018±.002]
- △3 SUPERSEDED BY 2-323912-1
- △4 APPLIES FROM THE METAL EDGE OF THE BARREL TO THE CENTER OF THE STUD



QTY	DESCRIPTION	MATERIAL & FINISH	PART NO
100	LOOSE PC, BOX	BODY & SLEEVE: COPPER (ASTM-B152) TIN PL (ASTM-B545) INSULATION: NYLON (ASTM-D4066) TYPE 1 COLOR: YELLOW	8-329951-1
1	329951 ON TAPE		△3 2-329951-1
1	WIRE TERMINAL		329951

THIS DRAWING IS A CONTROLLED DOCUMENT.		DWN RAGHAVENDRA 28AUG09	Tyco Electronics Corporation Harrisburg, PA 17105-3608	
DIMENSIONS: mm [INCHES]		CHK JEFF RUTH 28AUG09	NAME	
TOLERANCES UNLESS OTHERWISE SPECIFIED:		APVD TOM MICHIELUTTI 28AUG09	WIRE TERMINAL PIDG - RING TONGUE WIRE SIZE: 26-22	
0 PLC ± -		PRODUCT SPEC	SIZE	CAGE CODE
1 PLC ± -		APPLICATION SPEC	DRAWING NO	
2 PLC ± -		WEIGHT	RESTRICTED TO	
3 PLC ± .20 [.008]		—	A3 00779 C-329951	
4 PLC ± -		—	SCALE	SHEET
ANGLES ± 0° 30'		—	10:1	1 OF 1
MATERIAL SEE TABLE	FINISH SEE TABLE	CUSTOMER DRAWING		REV G1