



Technical Support Contact

Address : 2F, 628, Donghang-ri, Yangseong-myeon, Anseong-Si, Gyeonggi-Do, Korea.

Tel : +82 70 4100 8847 / **Fax :** +82 31 674 6608

E-mail : info@c4line.com

Website : www.c4line.com

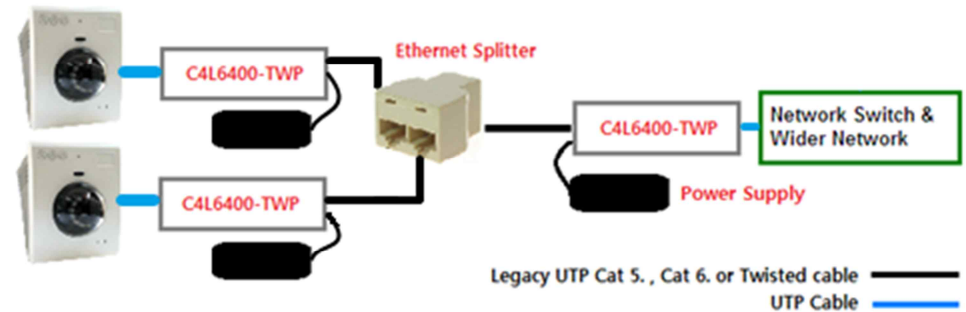


Complies with FCC part 15B limits

Copyright© 2015 C4Line Co.

C4L6400-TWP Transceiver Quick Start Guide

C4L6400-TWP Transceiver Field Application

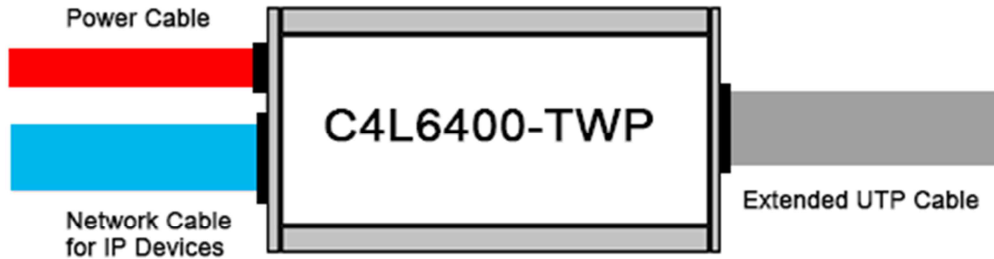


C4L6400-TWP transceivers are used to extend the Ethernet IP signals via Cat 5E , Cat 6 or 2 wire cable in the existing UTP network in building.

C4L6400-TWP transceiver could reduce the cabling costs to upgrade from the installed analog video cameras to Mega-pixel grade IP cameras with the inexpensive UTP cabling.

For the other field applications, C4L6400-TWP transceivers could be applied to connect, distribute and convert the IP devices(IPTV, VOIP Phone, Wireless AP, etc.) signals via the UTP cable with 128bit AES Encryption and guaranteed QoS for loss sensitive application.

C4L6400-TWP connection diagram



C4L6400-TWP Installation Steps

Step 1. Hardware Check and Preparation

- Please check the product physical defects. If you find the defects, do not operate the product.
- Prepare 1) Network cable, 2) Extend UTP cable, 3) Power supply to C4L6400-TWP units. (Please check the cable short, Spec. and connection status)

Step 2 . Installation

- Use one C4L6400-TWP transceiver at each end of the UTP. Up to four remote transceivers and UTP runs may be connected to a fifth transceiver at the control room using Ethernet splitters.
- Connect the power supplies into the transceivers to provide power to the entire system, including the cameras.
- All transceivers are in Join Mode. They will find each other and establish basic level encrypted communication.

If you use more than 1 master unit of installation site, you should follow the Un-joining and joining steps below.

Un-Joining and Joining Transceivers for Encrypted communication(Optional)

If you want to build enhanced encrypted communication Network Group to another, it must be returned to an un-joined state.

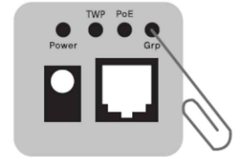
Step 1.Un-Joining to build enhanced encrypted network

- Do this by applying power, and pressing the small push-button (Grp) for 10 seconds until the TWP

and ETH LEDs illuminate and then go out, about one seconds. The transceiver is now ready to be joined to build encrypted Network Group.

Step 2. Joining mode

- For more transceivers in an enhanced encrypted network, disconnect the joined transceiver from grouped UTP cable and connect the new un-joined transceiver.
- On the new un-joined transceiver, momentarily depress the small push-button(Grp) using the straightened paper-clip. The ETH LED will blinking.
- Depress the small push-button(Grp) on the any transceiver within existing encrypted Network Group.
- Both transceivers are now in **Joining mode**. They will find each other and establish encrypted communication. In about 10 seconds, the TWP LEDs on both transceivers will illuminate (blinking or steady on), indicating a successful **Join**.



Step 3. Adding Transceivers (if required)

- Disconnect one of the transceivers and replace it with a **new un-joined** transceiver.
- Repeat step 2 to add additional transceivers to the same Network Group.

C4L6400-TWP Installation Warnings

- Do not use the transceiver near the harsh (temperature, humidity, cabling quality) installation site.
- If transceiver flooded by water or other liquid materials, please turn off the power source and disconnect all of cables from transceiver. And request to C4Line technical team for after service .
- Do not use transceiver over 120°F (50°C) temperature condition for transceiver's operation performance and lifetime.
- Do not disassemble transceiver at a person's service.