

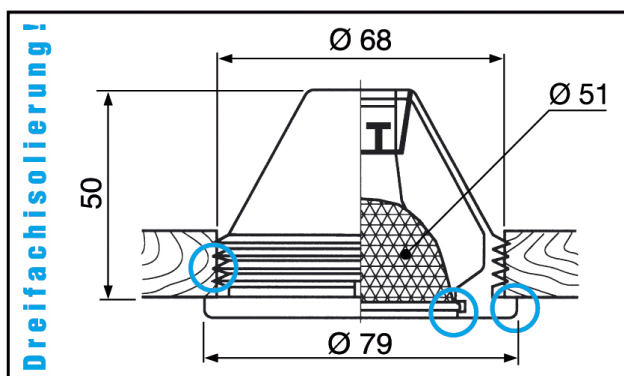
## Data sheet

### Article Description

#### Silicone-housing for installation MAXI GU10 Type 1000 for high voltage halogen and LED-illuminant with GU10-lamp socket

- Silicone-housing absolutely rust-free
- UV and ozone resistant, non-aging
- easy and quick assembling and disassembling
- **weather and maritime climate resistant**
- suitable also for booth construction and shopfitting
- incl. loose attached GU10-holder with strain relief and installation housing, with about. 200 mm isolated cord set.
- for GU10 high voltage halogen lamps  $\varnothing$  51mm, 230V, up to 35 W or GU10-LED-illuminant up to 5 W
- **Only suitable for halogen lamps which emit the heat forward  
No COOL BEAM!!**

mounting diameter: 68 mm **(Standard dimension)**  
 installation depth: about 85 mm with holder  
 outer dimensions: 79 mm  $\varnothing$ , High about 55 mm (without holder)



### Article Picture



inter BÄR-No.	colour	Version
1000-501...	transparent	loose attached holder with cord set and installation housing,
1000-505...	grey similar RAL 7016	single packing, without illuminant
1000-508...	white	

**Technical modifications reserved!**  
**Works at 230 V-mains must only be carried out by a specialist!**