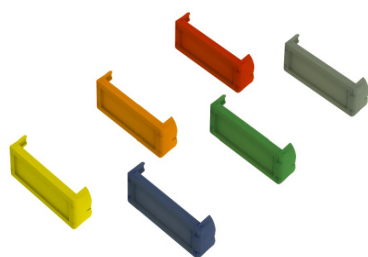


HAND HELD CASES

64 Series Handy Cases

Multi-purpose snap-fit hand-held enclosures designed for quick assembly

- Moulded in high grade ABS, UL94-V0
- Snap-fit base & lid assembly, via end caps
- Battery compartment lid M3 retaining screw
- Recesses in lid, base and end caps for membrane keypads or overlays
- PCB pillars in lid and base
- Optional EPDM gasket for IP65 seal



64-IP Gasket

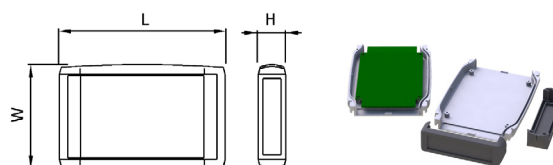
- EPDM rubber gasket
- IP65 protection
- Operating temperature -20°C to +85°C



TYPE NO.	DESCRIPTION
CHH64GASK	64-IP Gasket

SPECIFICATION	
Material	Lid & base high grade ABS, UL94-V0
Operating Temperature	Resistant to temperatures of up to 85°C
Protection class	IP62 as standard IP65 with gasket option
64 Series Standard colours	Top and base in grey RAL7035 and black RAL 9004. End caps-red, blue, yellow, green, orange, grey or black. Custom colours available to order
Standard unit includes	Top and base (Battery door & retaining screw size 2 & 4)
Options	End caps, battery compartments and gaskets supplied IP65 gasket

BLACK	LIGHT GREY	LENGTH	WIDTH	HEIGHT	STYLE
CHH641NBK	CHH641NGY	100mm	80mm	20mm	-
CHH642BBK	CHH642BGY	100mm	80mm	30mm	battery door
CHH643NBK	CHH643NGY	120mm	80mm	20mm	-
CHH644BBK	CHH644BGY	120mm	80mm	30mm	battery door



Plastic End Caps

TYPE NO.	COLOUR	DESCRIPTION
CHH64E1BL	Blue - RAL 5007	to fit 20mm high cases
CHH64E1GR	Green - RAL 6026	to fit 20mm high cases
CHH64E1RD	Red - RAL 3020	to fit 20mm high cases
CHH64E1OR	Orange - RAL 2003	to fit 20mm high cases
CHH64E1BK	Black - RAL 9004	to fit 20mm high cases
CHH64E1YL	Yellow - RAL 1021	to fit 20mm high cases
CHH64E1DG	Grey- RAL 7001	to fit 20mm high cases
CHH64E2BL	Blue- - RAL 5007	to fit 30mm high cases
CHH64E2GR	Green - RAL 6026	to fit 30mm high cases
CHH64E2RD	Red - RAL 3020	to fit 30mm high cases
CHH64E2OR	Orange - RAL 2003	to fit 30mm high cases
CHH64E2BK	Black - RAL 9004	to fit 30mm high cases
CHH64E2YL	Yellow - RAL 1021	to fit 30mm high cases
CHH64E2DG	Grey- RAL 7001	to fit 30mm high cases

Battery Compartments



TYPE NO.	DESCRIPTION	COLOUR
CHHBAT1BK	Clip-in Battery compartment PP3	Black
CHHBAT1GY	Clip-in Battery compartment PP3	Grey
CHHBAT2BK	Clip-in Battery compartment AA	Black
CHHBAT2GY	Clip-in Battery compartment AA	Grey

UNIVERSAL ENCLOSURES

HAND HELD CASES

HEAVY DUTY ENCLOSURES

DIN RAIL BOXES

INTERFACE SUPPORTS

CONTROL STATIONS

DIECAST & METAL BOXES

DESKTOP & INSTRUMENT CASES

POTTING BOXES

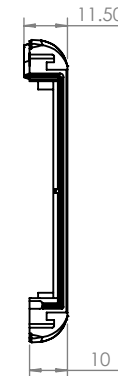
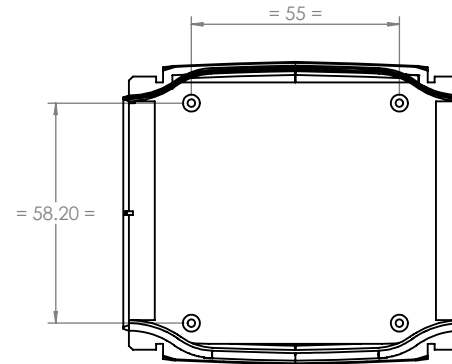
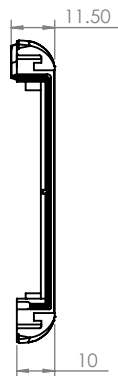
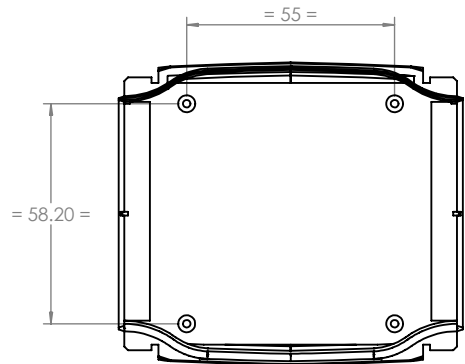
19" ENCLOSURES

19" CABINETS

DEVELOPMENT BOARDS

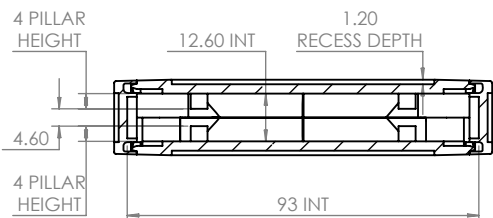
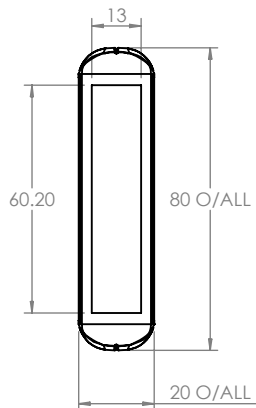
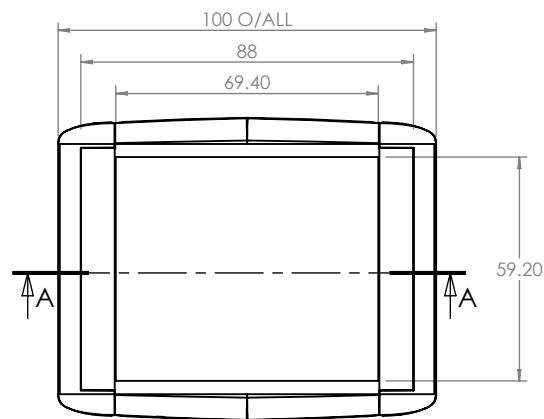
CUSTOM SIZED ENCLOSURES

CUSTOM SERVICES



BASE

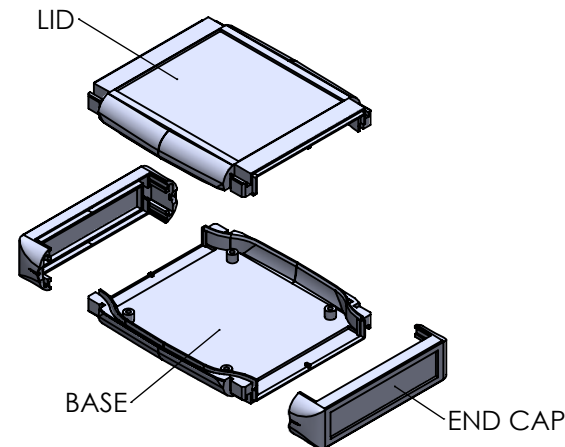
TOP



SECTION A-A

ASSEMBLY

ISO VIEW
1:3



END CAP SUPPLIED SEPERATELY



CAMDENBOSS
ELECTRONICS & ENCLOSURES

JAMES CARTER RD, MILDENHALL, SUFFOLK. IP28 7DE
TEL: 01638 716101 FAX: 01638 716554
EMAIL: Sales@CamdenBoss.com
WEB: www.CamdenBoss.com

UNLESS OTHERWISE SPECIFIED:
DIMENSIONS ARE IN MILLIMETERS

GENERAL TOLERANCES +/- 0.2

FINISH:
LIGHT SPARK

MATERIAL: UL94-V0 ABS
GREY

PROJECTION.

DO NOT SCALE DRAWING

REVISION. 0

TITLE:
GENERAL ASSEMBLY DRAWING
FOR 64 SERIES

DWG NO.

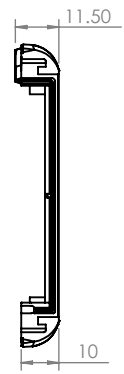
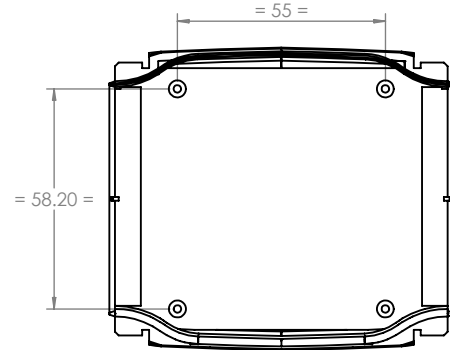
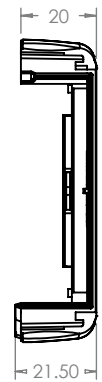
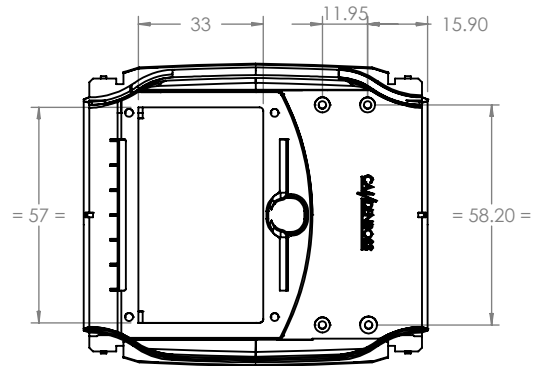
CHH641NGY

A4

SCALE: 1 : 2

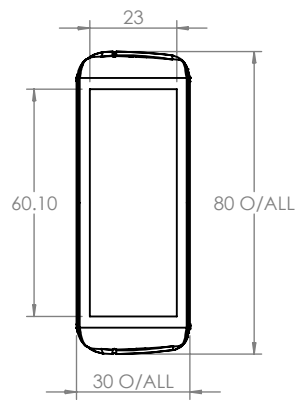
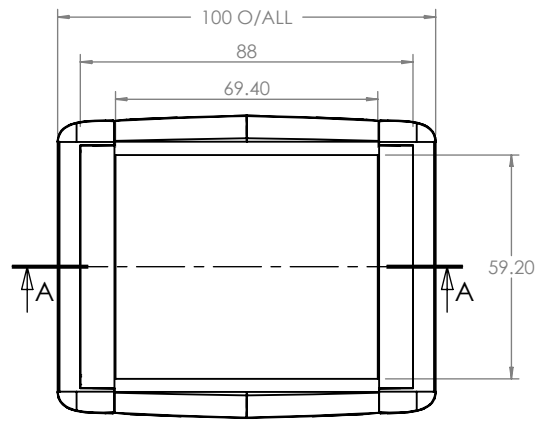
SHEET 1 OF 1

	NAME	SIGNED	DATE
DRAWN	JAMIE JACOBS	JNJ	24/06/13
CHK'D	-	-	-

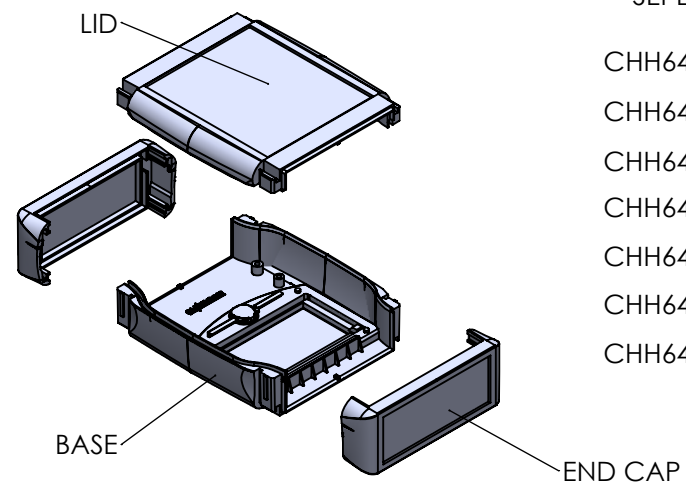


BASE

TOP

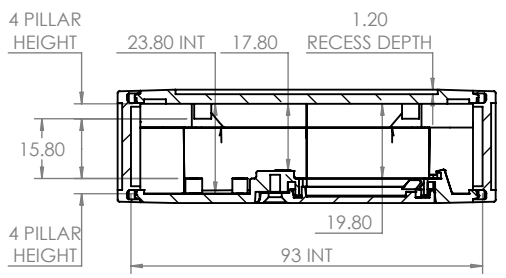


ISO VIEW
1:3



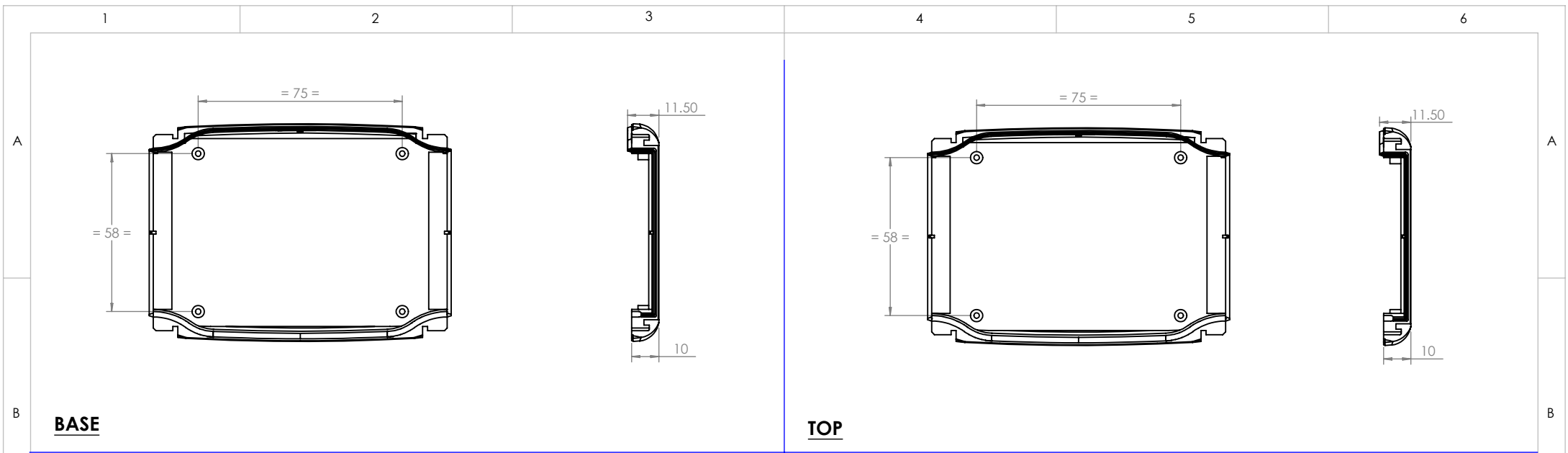
END CAP & BATTERY COMPARTMENTS SUPPLIED SEPERATELY

- CHH64E2OR
- CHH64E2GR
- CHH64E2YL
- CHH64E2BL
- CHH64E2RD
- CHH64E2DG
- CHH64E2BK



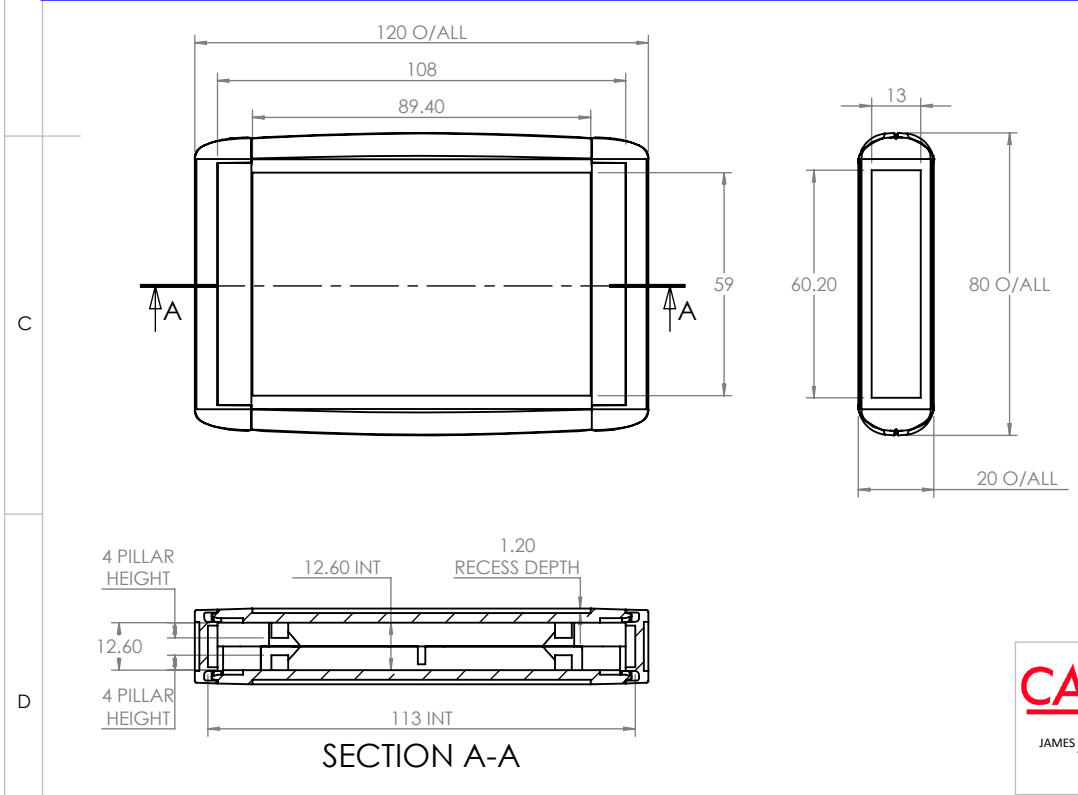
ASSEMBLY SECTION A-A

<p>CAMDENBOSS ELECTRONICS & ENCLOSURES</p> <p>JAMES CARTER RD, MILDENHALL, SUFFOLK. IP28 7DE TEL: 01638 716101 FAX: 01638 716554 EMAIL: Sales@CamdenBoss.com WEB: www.CamdenBoss.com</p>		UNLESS OTHERWISE SPECIFIED: DIMENSIONS ARE IN MILLIMETERS		DO NOT SCALE DRAWING		REVISION. 0	
		GENERAL TOLERANCES +/- 0.2		TITLE: GENERAL ASSEMBLY DRAWING FOR 64 SERIES			
FINISH: LIGHT SPARK		MATERIAL. UL94-V0 ABS GREY		DWG NO. CHH642BGY		A4	
DRAWN	JAMIE JACOBS	SIGNED	JJ	DATE	24/06/13	SCALE: 1:2	SHEET 1 OF 1
CHK'D	-	-	-	PROJECTION.			



BASE

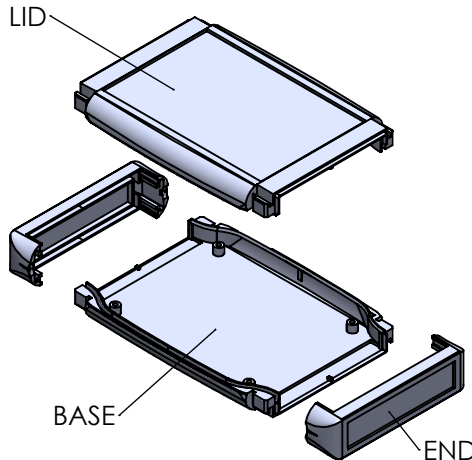
TOP



ASSEMBLY

SECTION A-A

ISO VIEW
1:3

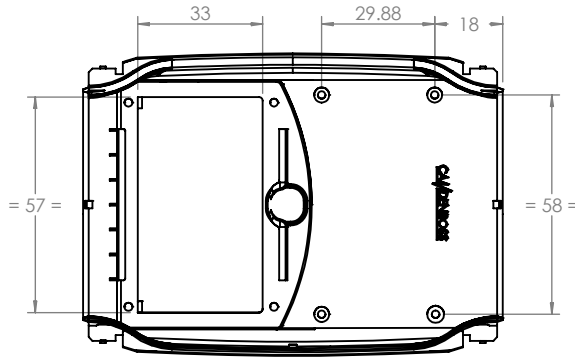


END CAP SUPPLIED SEPERATELY

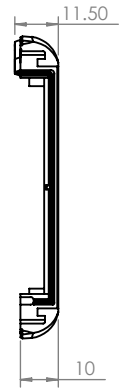
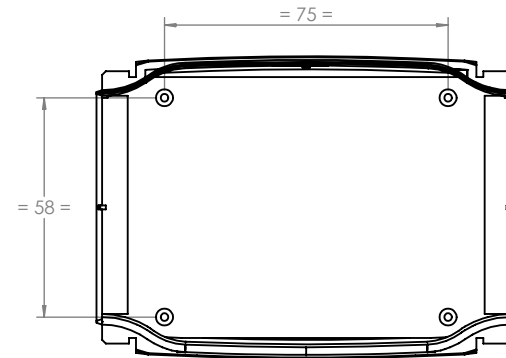
- CHH64E1OR
- CHH64E1GR
- CHH64E1YL
- CHH64E1BL
- CHH64E1RD
- CHH64E1DG
- CHH64E1BK



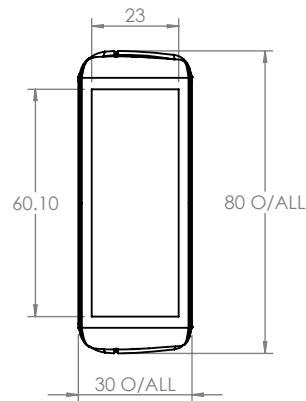
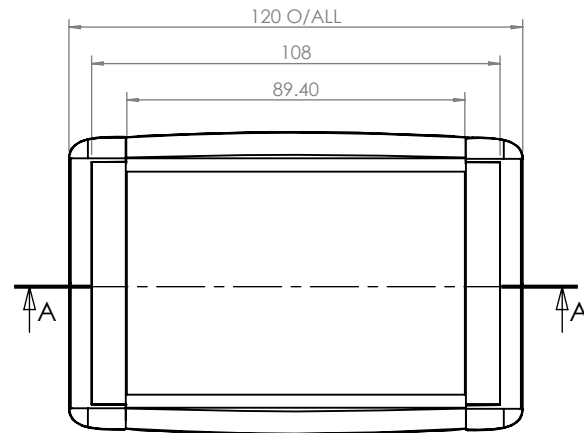
		UNLESS OTHERWISE SPECIFIED: DIMENSIONS ARE IN MILLIMETERS		DO NOT SCALE DRAWING	REVISION. 0
		GENERAL TOLERANCES +/- 0.2		TITLE: GENERAL ASSEMBLY DRAWING FOR 64 SERIES	
JAMES CARTER RD, MILDENHALL, SUFFOLK. IP28 7DE TEL: 01638 716101 FAX: 01638 716554 EMAIL: Sales@CamdenBoss.com WEB: www.CamdenBoss.com		FINISH. LIGHT SPARKS		DWG NO. CHH643NGY	
NAME	SIGNED	DATE	MATERIAL. UL94-V0 ABS GREY	A4	
DRAWN	JAMIE JACOBS	JNJ	24/06/13	SCALE. 1 : 2	
CHK'D	-	-	-	SHEET 1 OF 1	



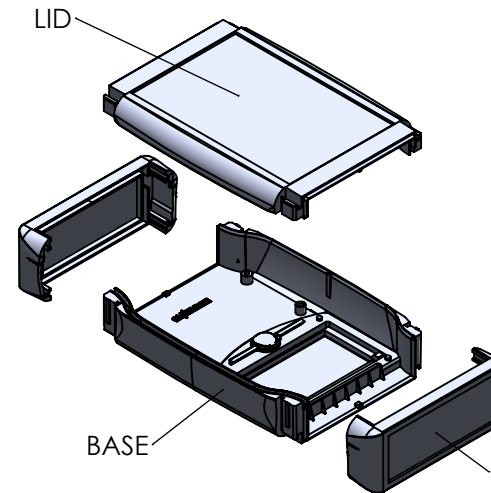
BASE



TOP

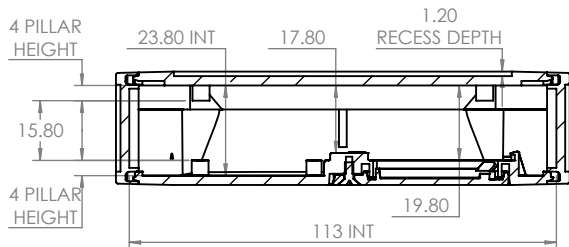


**ISO VIEW
1:3**



END CAP & BATTERY COMPARTMENTS SUPPLIED SEPERATELY

- CHH64E2OR
- CHH64E2GR
- CHH64E2YL
- CHH64E2BL
- CHH64E2RD
- CHH64E2DG
- CHH64E2BK

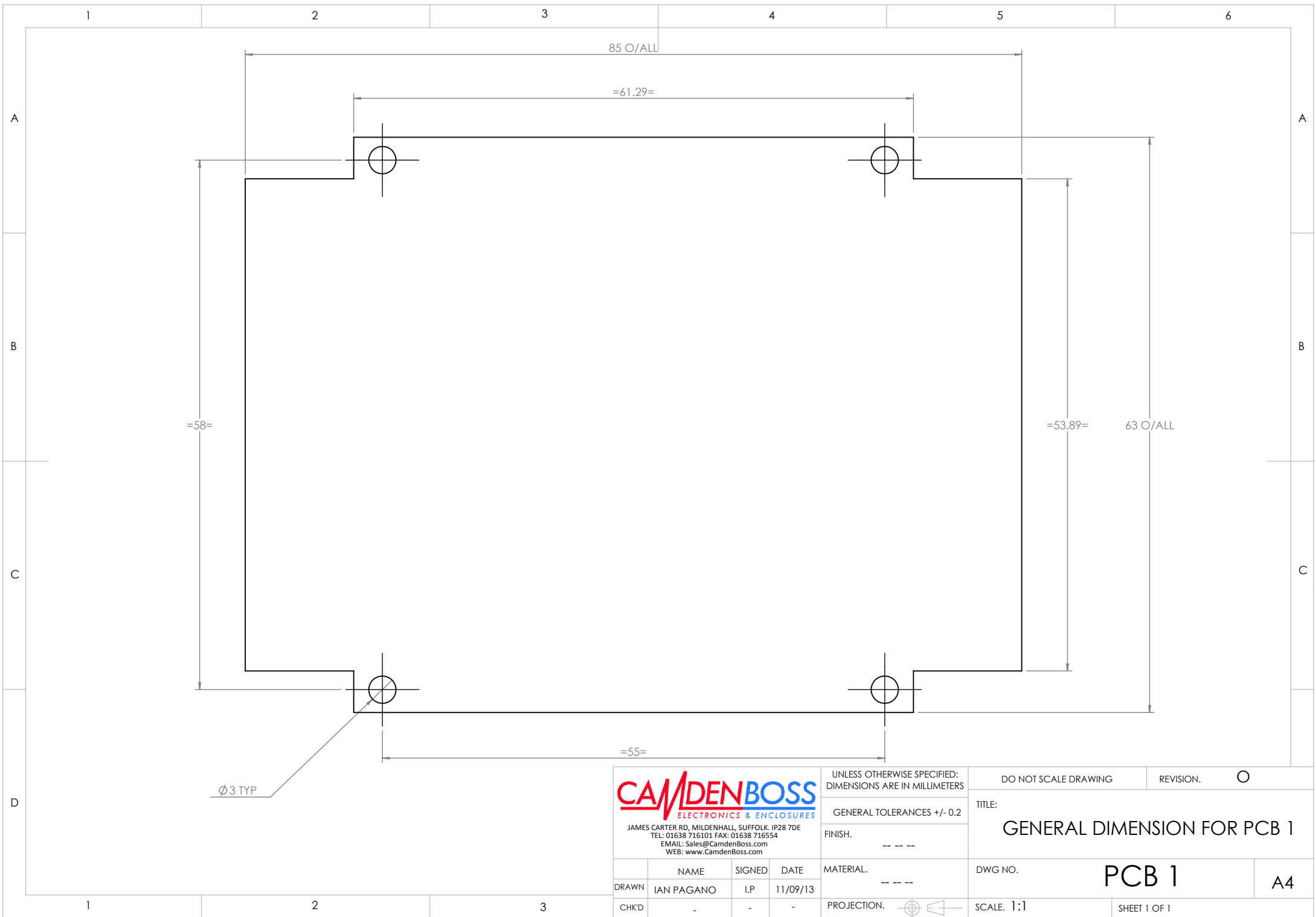


ASSEMBLY

SECTION A-A

<p>CAMDENBOSS ELECTRONICS & ENCLOSURES</p> <p>JAMES CARTER RD, MILDENHALL, SUFFOLK. IP28 7DE TEL: 01638 716101 FAX: 01638 716554 EMAIL: Sales@CamdenBoss.com WEB: www.CamdenBoss.com</p>		UNLESS OTHERWISE SPECIFIED: DIMENSIONS ARE IN MILLIMETERS		DO NOT SCALE DRAWING	REVISION. 0
		GENERAL TOLERANCES +/- 0.2		TITLE: GENERAL ASSEMBLY DRAWING FOR 64 SERIES	
DRAWN JAMIE JACOBS		SIGNED JNJ	DATE 24/06/13	FINISH: LIGHT SPARK	
CHKD -		-	-	MATERIAL. UL94-V0 ABS GREY	DWG NO. CHH644BGY
		PROJECTION.		SCALE. 1 : 2	SHEET 1 OF 1

A4



Ø3 TYP

CAMDENBOSS
 ELECTRONICS & ENCLOSURES
 JAMES CARTER RD, MILDENHALL, SUFFOLK. IP28 7DE
 TEL: 01638 716101 FAX: 01638 716554
 EMAIL: Sales@CamdenBoss.com
 WEB: www.CamdenBoss.com

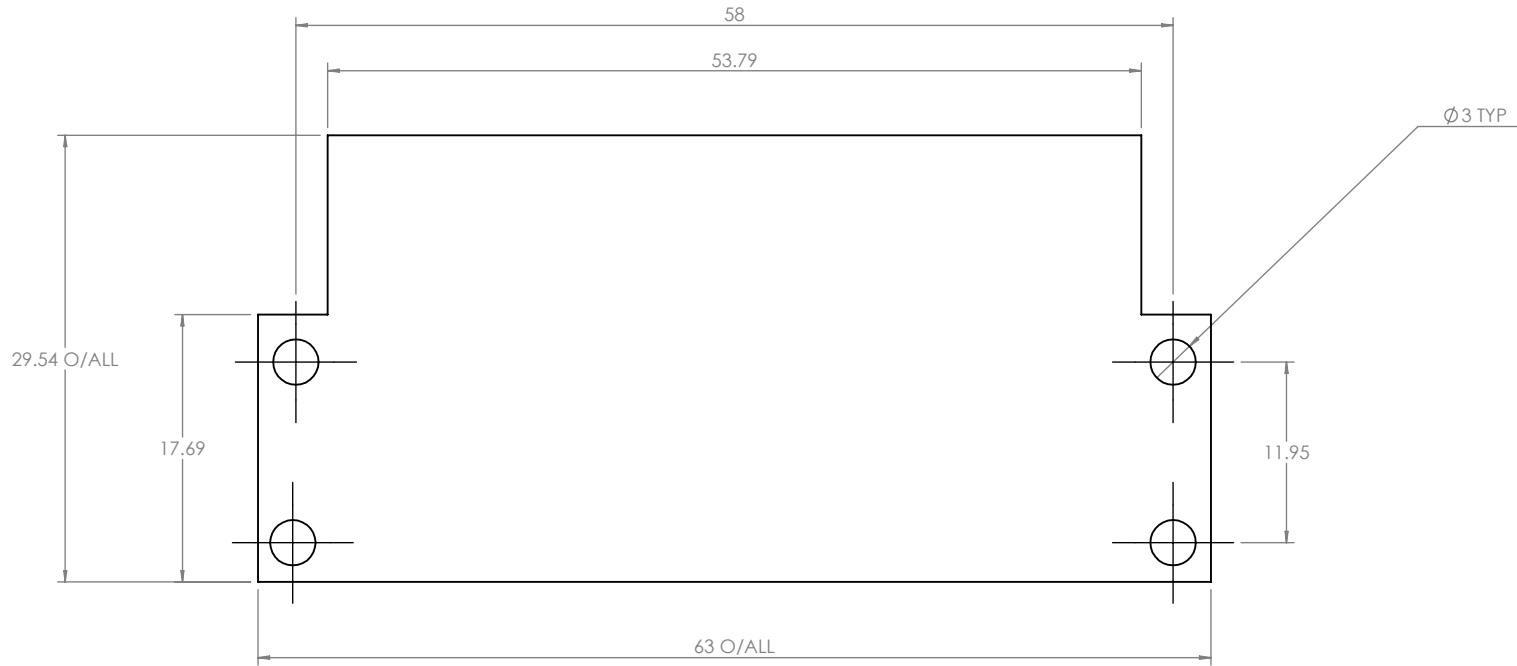
UNLESS OTHERWISE SPECIFIED:
 DIMENSIONS ARE IN MILLIMETERS
 GENERAL TOLERANCES +/- 0.2
 FINISH. ---

	NAME	SIGNED	DATE
DRAWN	IAN PAGANO	I.P.	11/09/13
CHKD	-	-	-

MATERIAL. ---
 PROJECTION.

DO NOT SCALE DRAWING	REVISION. ○
TITLE: GENERAL DIMENSION FOR PCB 1	
DWG NO.	PCB 1
SCALE: 1:1	SHEET 1 OF 1

A4



CAMDENBOSS
 ELECTRONICS & ENCLOSURES
 JAMES CARTER RD, MILDENHALL, SUFFOLK. IP28 7DE
 TEL: 01638 716101 FAX: 01638 716554
 EMAIL: Sales@CamdenBoss.com
 WEB: www.CamdenBoss.com

UNLESS OTHERWISE SPECIFIED:
 DIMENSIONS ARE IN MILLIMETERS

GENERAL TOLERANCES +/- 0.2

FINISH. - - - -

MATERIAL. - - - -

PROJECTION.

DO NOT SCALE DRAWING

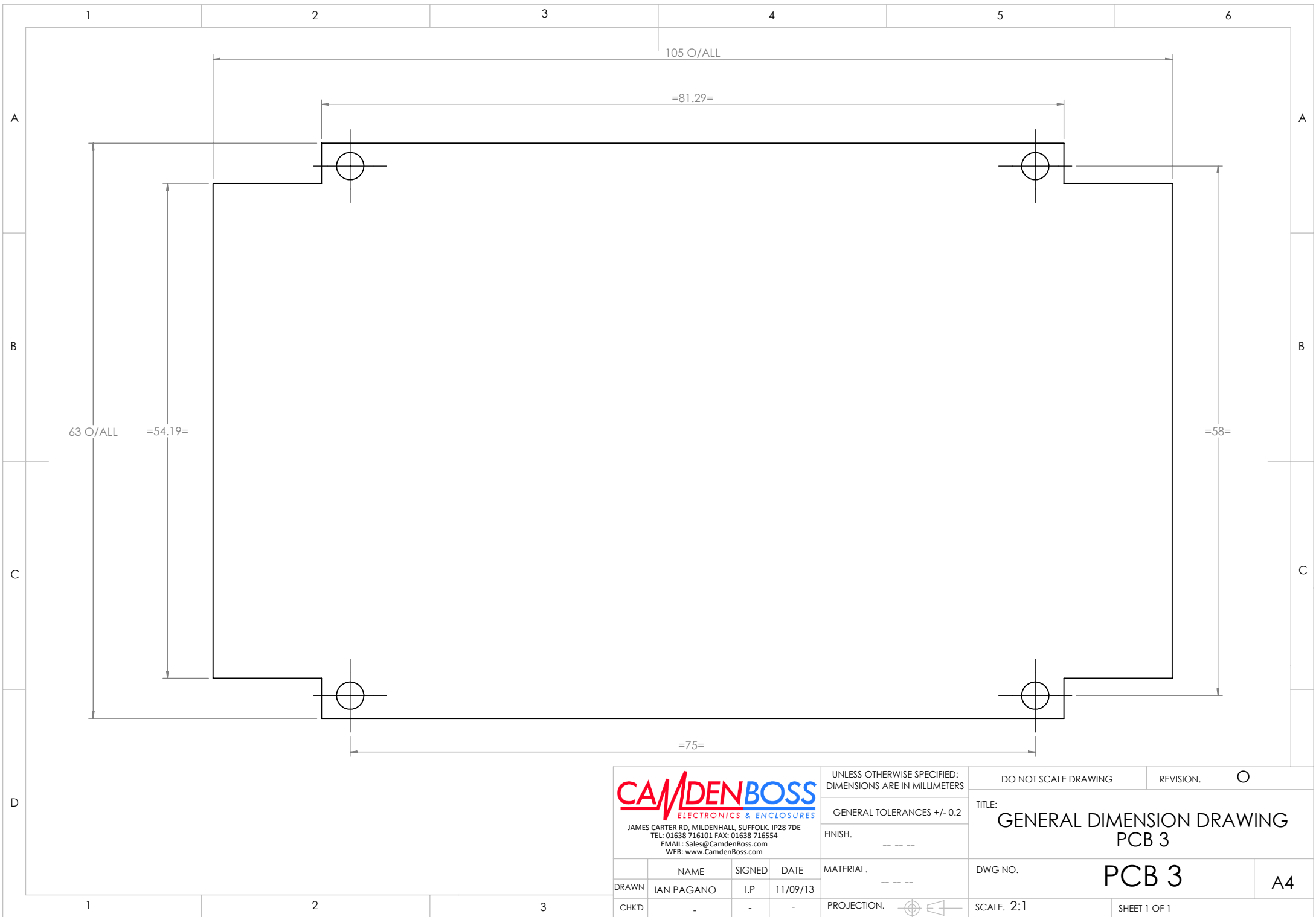
REVISION.

TITLE:
**GENERAL DIMENSION DRAWING
 FOR PCB 2**

DWG NO. **PCB 2** A4

SCALE: 2:1 SHEET 1 OF 1

	NAME	SIGNED	DATE
DRAWN	IAN PAGANO	I.P.	11/09/13
CHKD	-	-	-



CAMDENBOSS
 ELECTRONICS & ENCLOSURES
 JAMES CARTER RD, MILDENHALL, SUFFOLK. IP28 7DE
 TEL: 01638 716101 FAX: 01638 716554
 EMAIL: Sales@CamdenBoss.com
 WEB: www.CamdenBoss.com

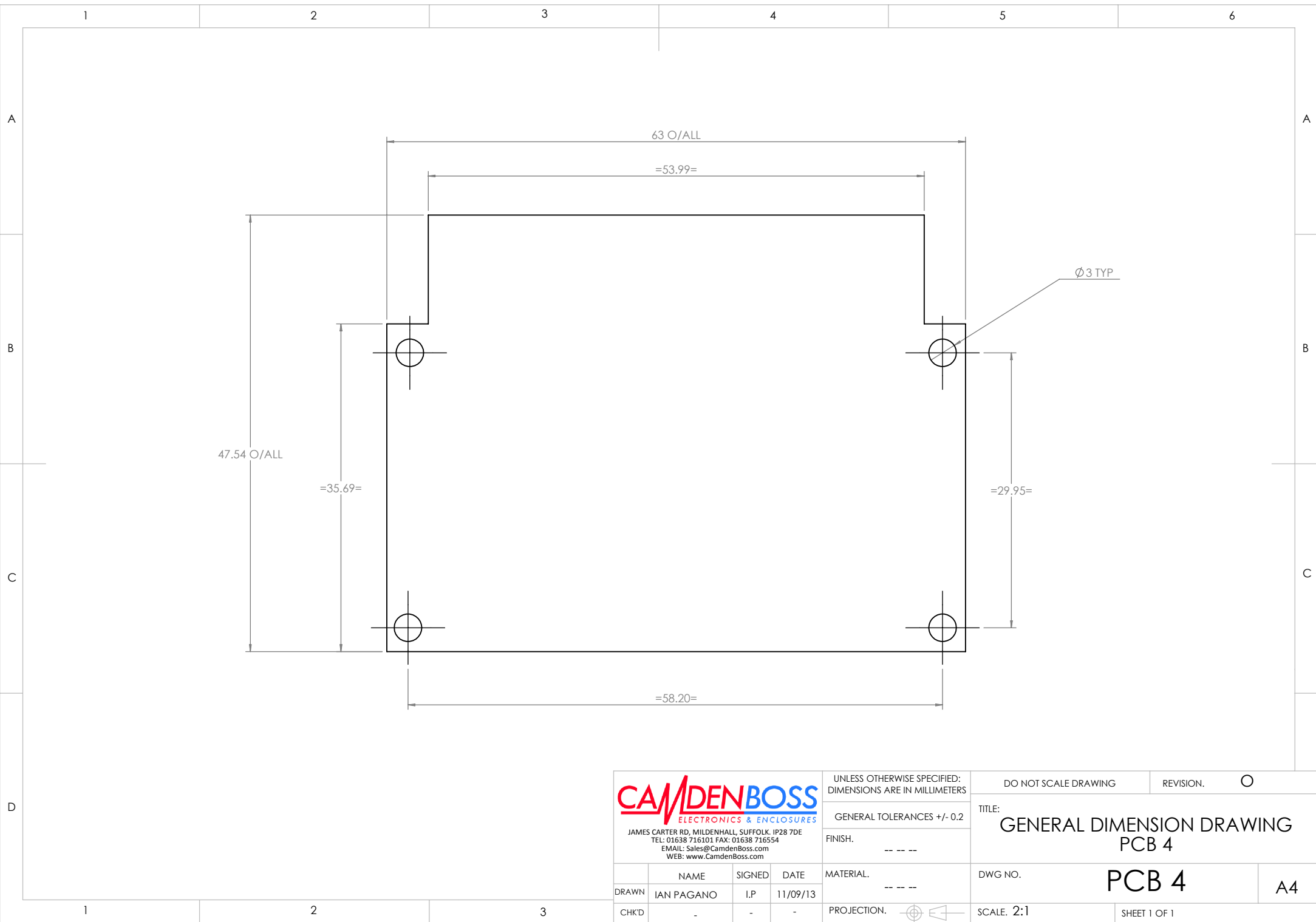
UNLESS OTHERWISE SPECIFIED:
 DIMENSIONS ARE IN MILLIMETERS
 GENERAL TOLERANCES +/- 0.2
 FINISH. ---

DRAWN	IAN PAGANO	SIGNED	I.P.	DATE	11/09/13
CHKD	-	-	-	-	-

MATERIAL. ---
 PROJECTION.

DO NOT SCALE DRAWING	REVISION. 0
TITLE: GENERAL DIMENSION DRAWING PCB 3	
DWG NO.	PCB 3
SCALE: 2:1	SHEET 1 OF 1

A4



CAMDENBOSS
 ELECTRONICS & ENCLOSURES
 JAMES CARTER RD, MILDENHALL, SUFFOLK. IP28 7DE
 TEL: 01638 716101 FAX: 01638 716554
 EMAIL: Sales@CamdenBoss.com
 WEB: www.CamdenBoss.com

UNLESS OTHERWISE SPECIFIED:
 DIMENSIONS ARE IN MILLIMETERS

GENERAL TOLERANCES +/- 0.2

FINISH. ---

MATERIAL. ---

DO NOT SCALE DRAWING	REVISION. ○
TITLE: GENERAL DIMENSION DRAWING PCB 4	
DWG NO.	PCB 4
SCALE: 2:1	SHEET 1 OF 1

	NAME	SIGNED	DATE
DRAWN	IAN PAGANO	I.P.	11/09/13
CHKD	-	-	-

PROJECTION.

A4