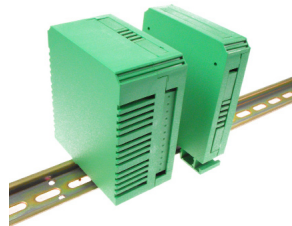


# DIN RAIL BOXES

## Vertical Box for DIN Rail

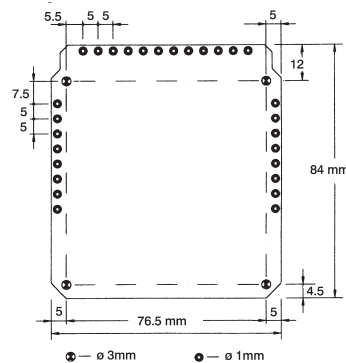
- Designed for 5mm pitch terminal blocks
- Two sizes, 22.5mm or 45mm wide
- Solid & perforated plates to cover unused terminal areas
- Three sides accept 12-way terminal blocks each side
- Complete box contains one 12-way closed, three 4-way closed & three 4-way perforated plates

CVB



### SPECIFICATION

Rating Terminals	8A/250VAC
Cable entry	2x2.5mm <sup>2</sup> Solid or Standard
Terminal protection	IP20
Material	PA66 UL94-V0



TYPE NO.	DESCRIPTION	SIZE
CVB225/KIT	Complete plastic box	22.5x82x90mm
CVB450/KIT	Complete plastic box	45x82x90mm
CVBPF4	4 way perforated	CVB Vent Plate
CVBPP4	4 way closed plate	CVB Blind Plate
CVBPP12	12 way closed plate	CVB Blind Plate Long
CVBMSC	Prototyping board	

UNIVERSAL ENCLOSURES

HAND HELD CASES

HEAVY DUTY ENCLOSURES

DIN RAIL BOXES

INTERFACE SUPPORTS

CONTROL STATIONS

DIECAST & METAL BOXES

DESKTOP & INSTRUMENT CASES

POTTING BOXES

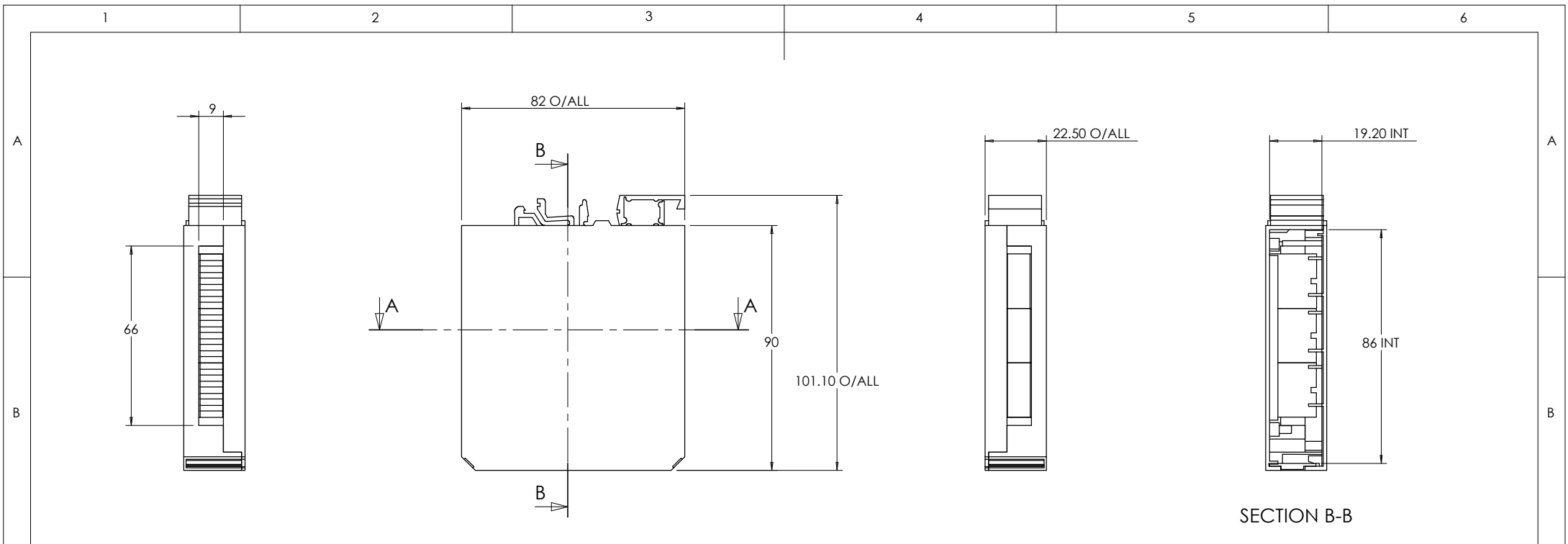
19" ENCLOSURES

19" CABINETS

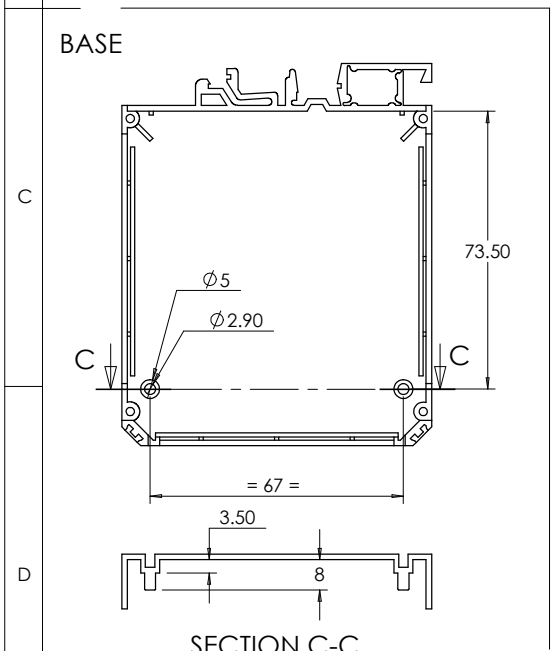
DEVELOPMENT BOARDS

CUSTOM SIZED ENCLOSURES

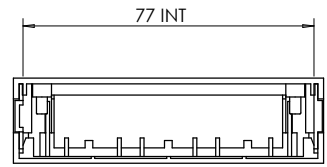
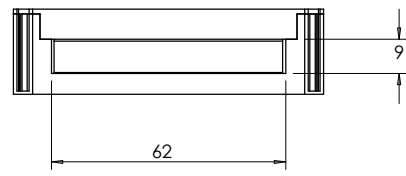
CUSTOM SERVICES



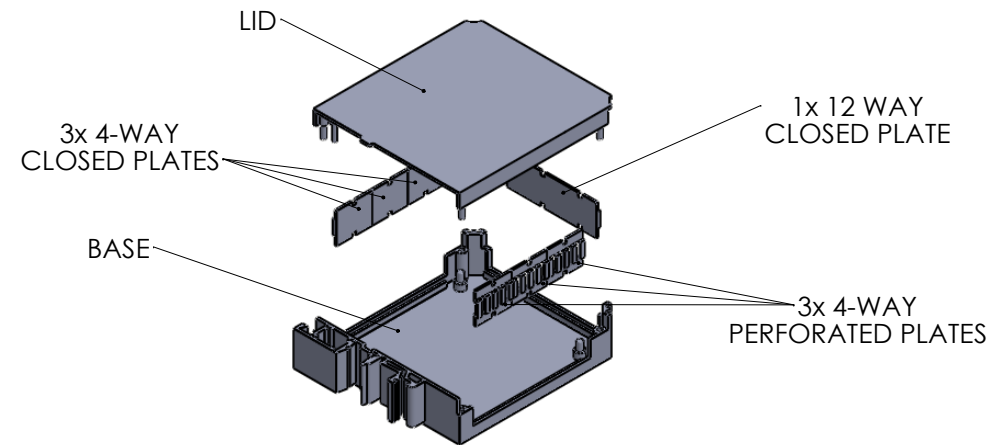
SECTION B-B



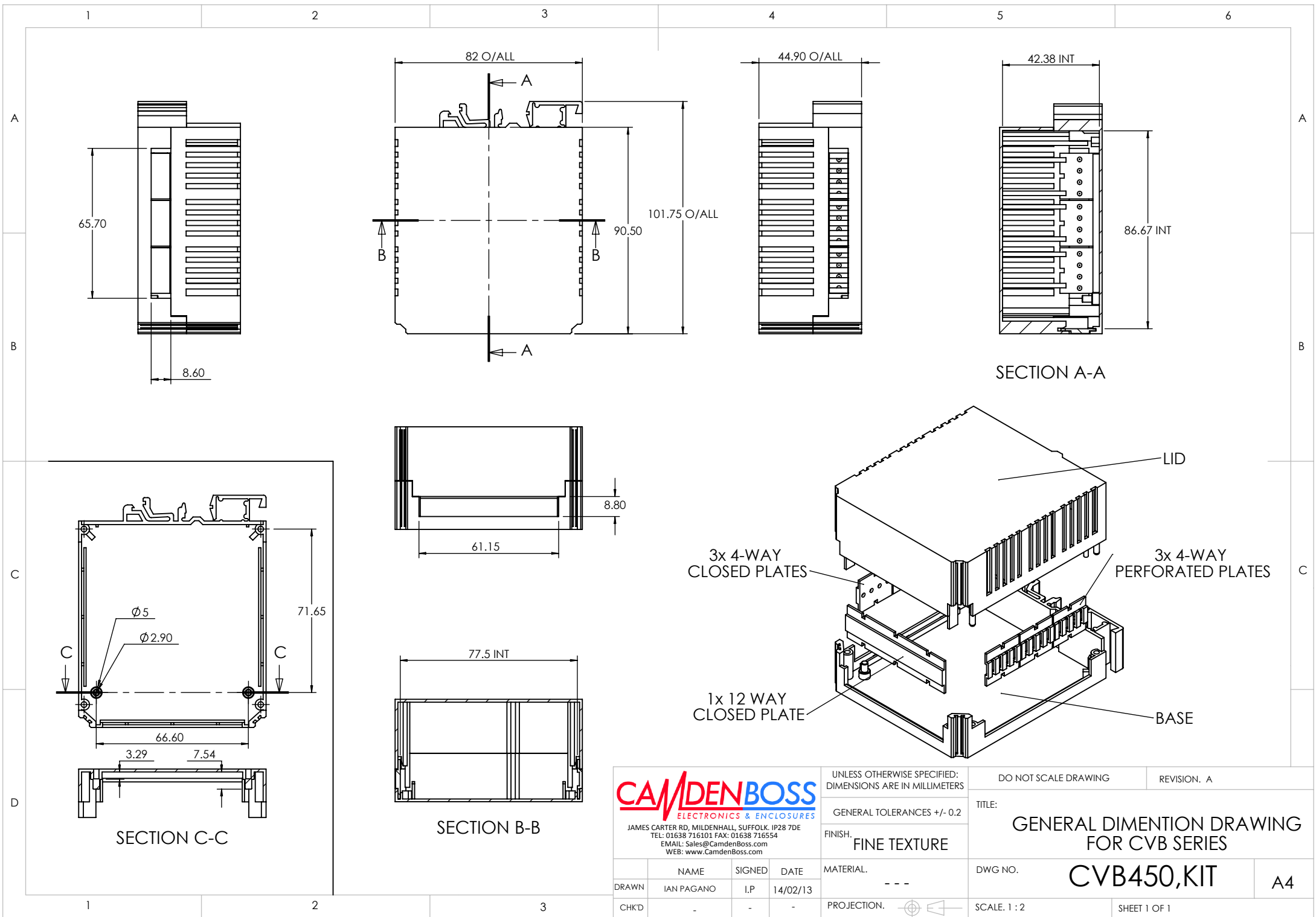
SECTION C-C



SECTION A-A



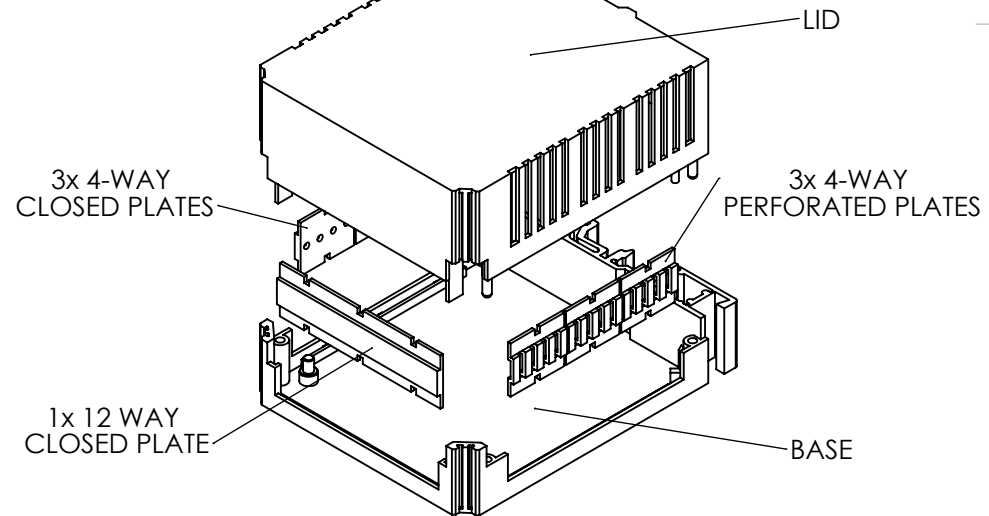
			UNLESS OTHERWISE SPECIFIED: DIMENSIONS ARE IN MILLIMETERS		DO NOT SCALE DRAWING		REVISION: 0										
			GENERAL TOLERANCES +/- 0.2		TITLE: GENERAL ASSY DRAWING FOR CVB SERIES												
40 JAMES CARTER RD. WILDENHALL SUFFOLK, IP28 7DE EMAIL: SALES@CAMDENBOSS.COM TEL: 01638 716101 FAX: 01638 716554 WEB: WWW.CAMDENBOSS.COM			FINISH: FINE TEXTURE		DWG NO.		CVB225 KIT										
<table border="1"> <thead> <tr> <th>NAME</th> <th>SIGNED</th> <th>DATE</th> </tr> </thead> <tbody> <tr> <td>DRAWN SUBKHANKULOVA</td> <td>LS</td> <td>25/03/11</td> </tr> <tr> <td>CHK'D LUKASZ DROBKA</td> <td>LD</td> <td>25/03/11</td> </tr> </tbody> </table>			NAME	SIGNED	DATE	DRAWN SUBKHANKULOVA	LS	25/03/11	CHK'D LUKASZ DROBKA	LD	25/03/11	MATERIAL: ---		SCALE: 1:2		SHEET 1 OF 1	
NAME	SIGNED	DATE															
DRAWN SUBKHANKULOVA	LS	25/03/11															
CHK'D LUKASZ DROBKA	LD	25/03/11															
			PROJECTION:				A4										



SECTION A-A

SECTION C-C

SECTION B-B



		UNLESS OTHERWISE SPECIFIED: DIMENSIONS ARE IN MILLIMETERS		DO NOT SCALE DRAWING	REVISION. A
		GENERAL TOLERANCES +/- 0.2		TITLE: <b>GENERAL DIMENTION DRAWING FOR CVB SERIES</b>	
JAMES CARTER RD, MILDENHALL, SUFFOLK. IP28 7DE TEL: 01638 716101 FAX: 01638 716554 EMAIL: Sales@CamdenBoss.com WEB: www.CamdenBoss.com		FINISH: <b>FINE TEXTURE</b>		DWG NO. <b>CVB450,KIT</b>	
DRAWN	NAME IAN PAGANO	SIGNED I.P.	DATE 14/02/13	SCALE: 1 : 2	
CHKD	-	-	-	PROJECTION.	SHEET 1 OF 1

**CVB450,KIT**

A4