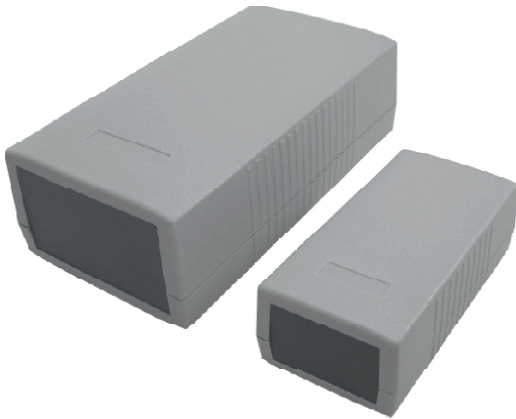


UNIVERSAL ENCLOSURES

3400 Series End Panel Design

Versatile range of end-panel four-part construction enclosures, available in four sizes and nine heights.

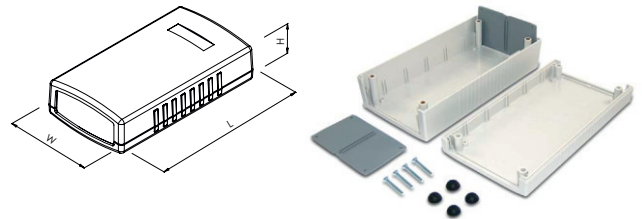
- Lid, base and end panels moulded in high impact or UL94-V0 ABS
- Integral mounting guides in U-shell lid and base for vertical PCB mounting
- Bosses in base and lid for horizontal PCB mounting
- Ergonomically curved lid and base
- Four part construction for complete access and fitting of electronics
- Four M3 or self-tapping screws countersunk into base and fixed into lid
- Textured non-scratch surface

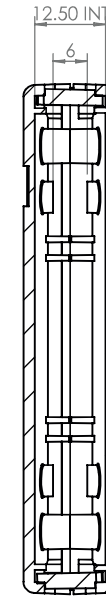
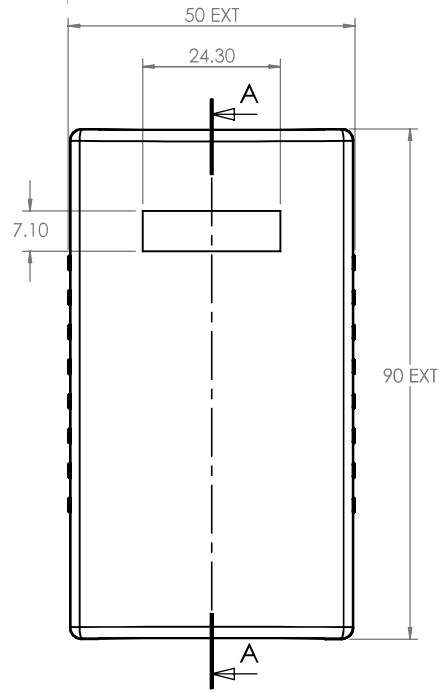
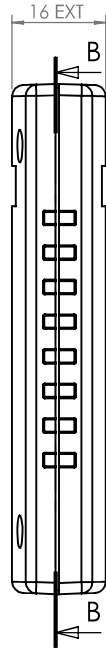
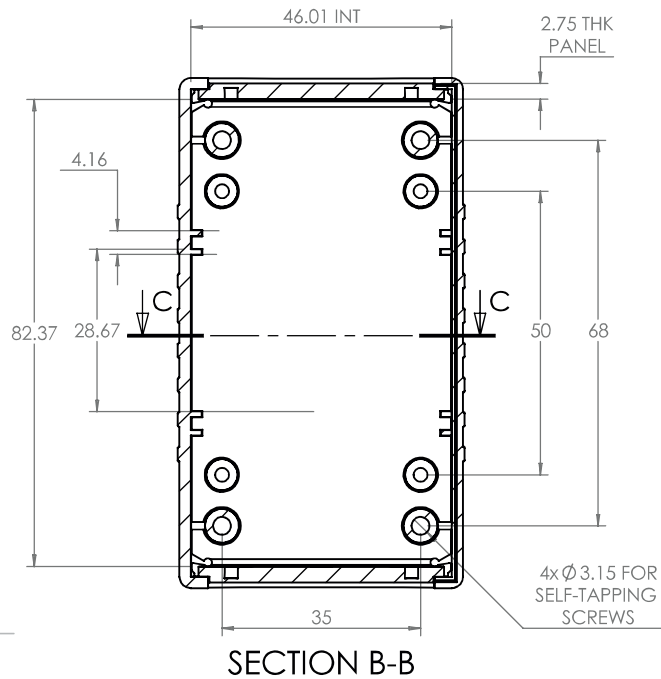


SPECIFICATION

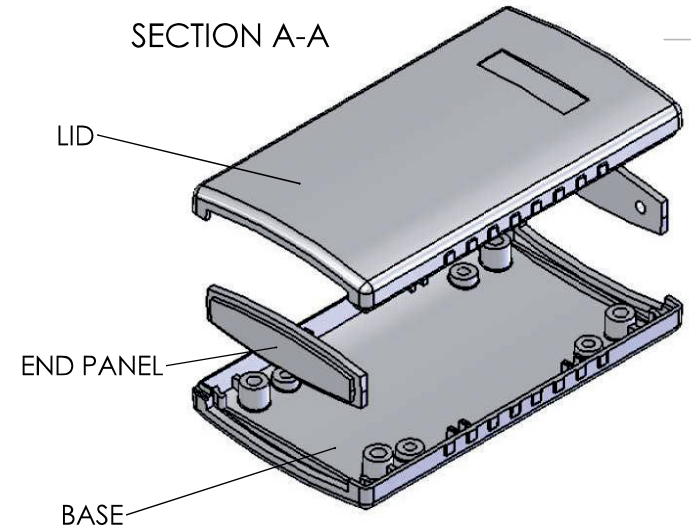
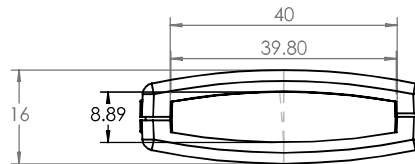
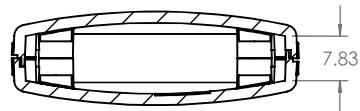
Materials	UL94-V0 or high-impact ABS	
Protection class	IP54	
Standard colours	UL94-V0	Lid & base dark grey similar to RAL 7040, end panels light grey
	High Impact	Lid & base light grey similar to RAL 9002, end panels dark grey
Fixing styles	Self-tapping	3400-30 to 3400-34
	M3 brass inserts	3400-36 to 3400-59
Standard unit includes	Base & lid 2x end panels 4x fixing screws 4x rubber feet / screw covers	

HIGH IMPACT	FLAME RETARDANT	LENGTH	WIDTH	HIGHT
3400-30	3400-01	90mm	50mm	16mm
3400-31	3400-03	90mm	50mm	24mm
3400-34	3400-04	90mm	50mm	32mm
3400-36	3400-07	120mm	60mm	30mm
3400-38	3400-10	120mm	60mm	40mm
3400-40	3400-12	120mm	60mm	50mm
3400-43	3400-13	150mm	80mm	30mm
3400-45	3400-16	150mm	80mm	45mm
3400-47	3400-18	150mm	80mm	60mm
3400-52	3400-21	190mm	100mm	40mm
3400-54	3400-22	190mm	100mm	60mm
3400-59	3400-25	190mm	100mm	80mm





SECTION A-A



UNLESS OTHERWISE SPECIFIED:
DIMENSIONS ARE IN MILLIMETERS

DO NOT SCALE DRAWING

REVISION: 0

GENERAL TOLERANCES +/- 0.2

TITLE: GENERAL ASSY FOR DRAWING
3400 SERIES

FINISH:
TEXTURED

DWG NO.

3400-30

A4

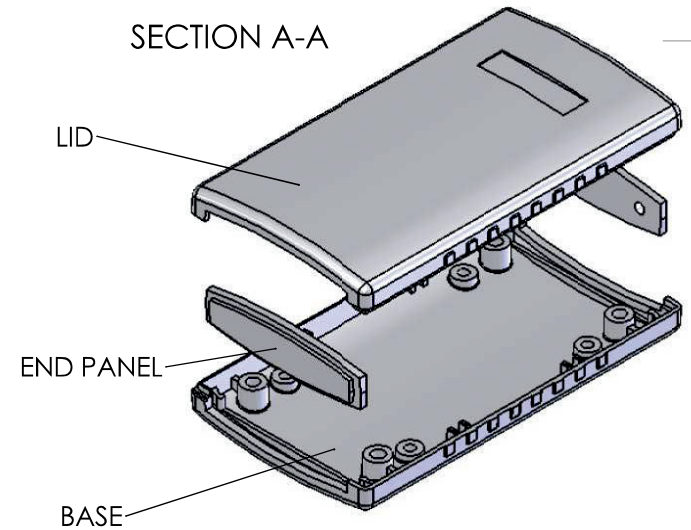
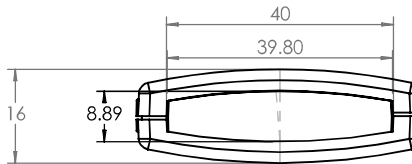
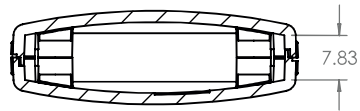
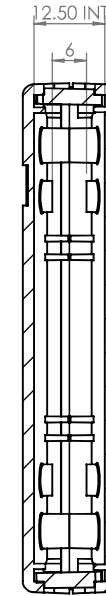
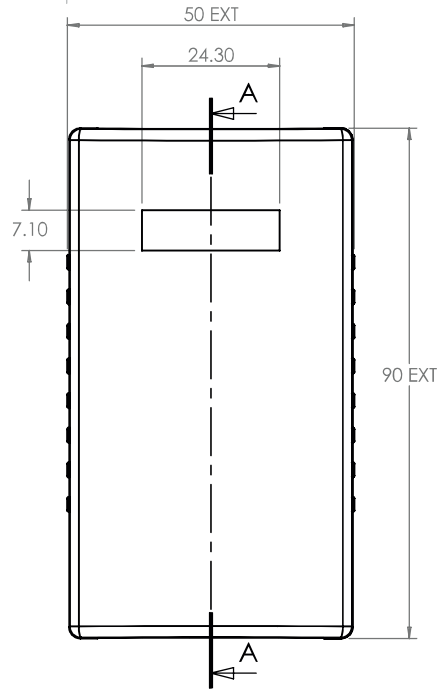
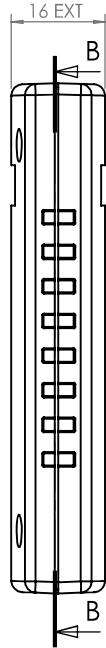
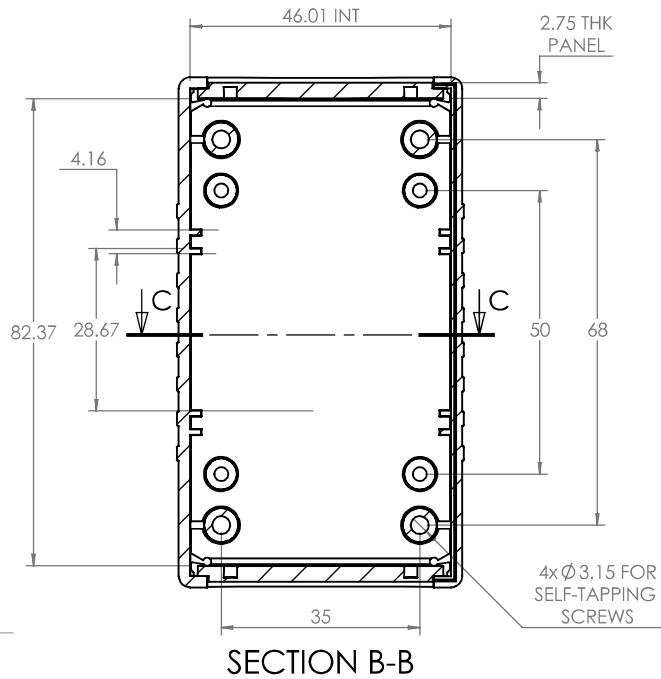
	NAME	SIGNED	DATE
DRAWN	JAMIE JACOBS	JNJ	08/11/12
CHK'D	-	-	-

MATERIAL:
ABS

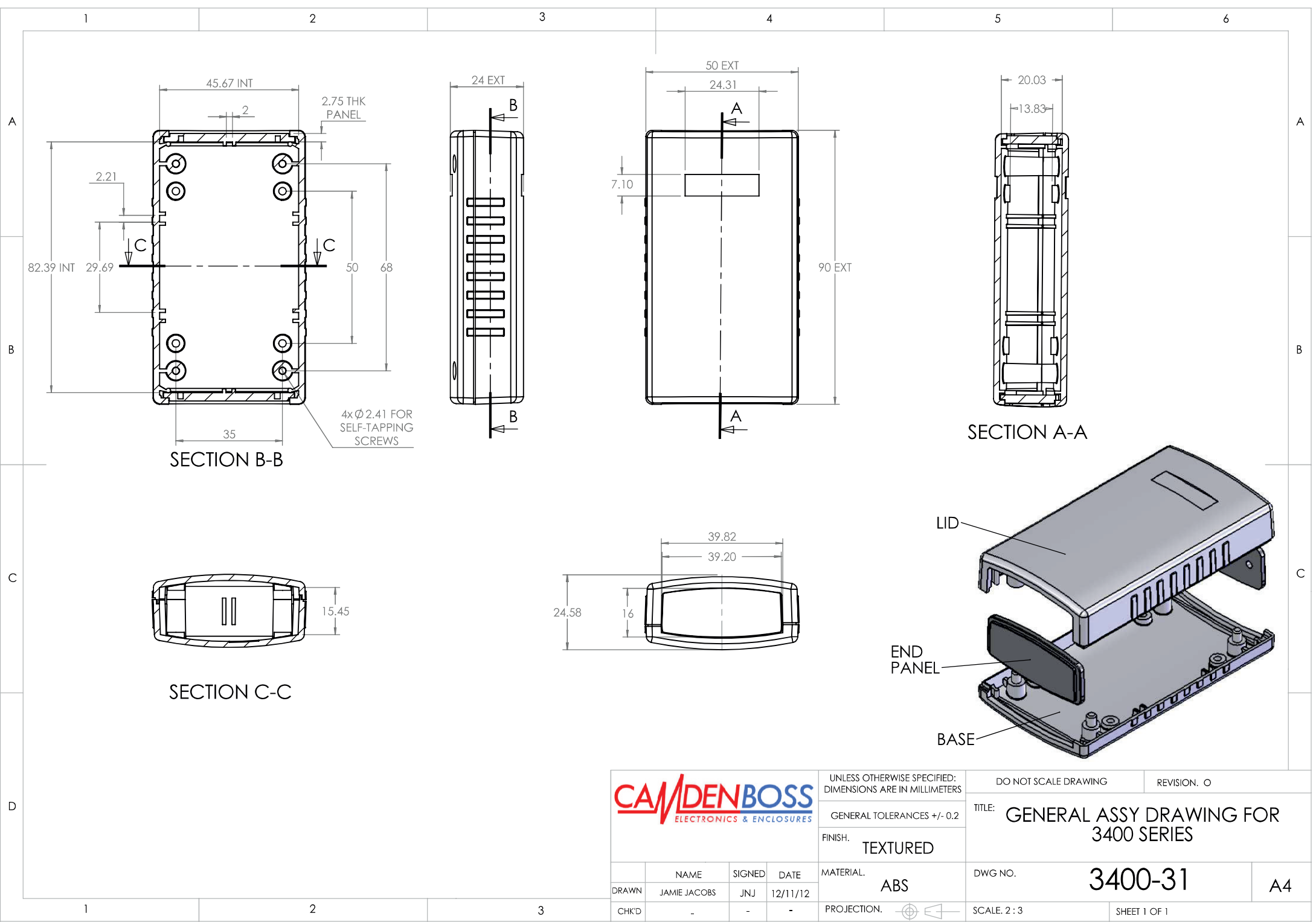
PROJECTION:

SCALE: 3 : 4

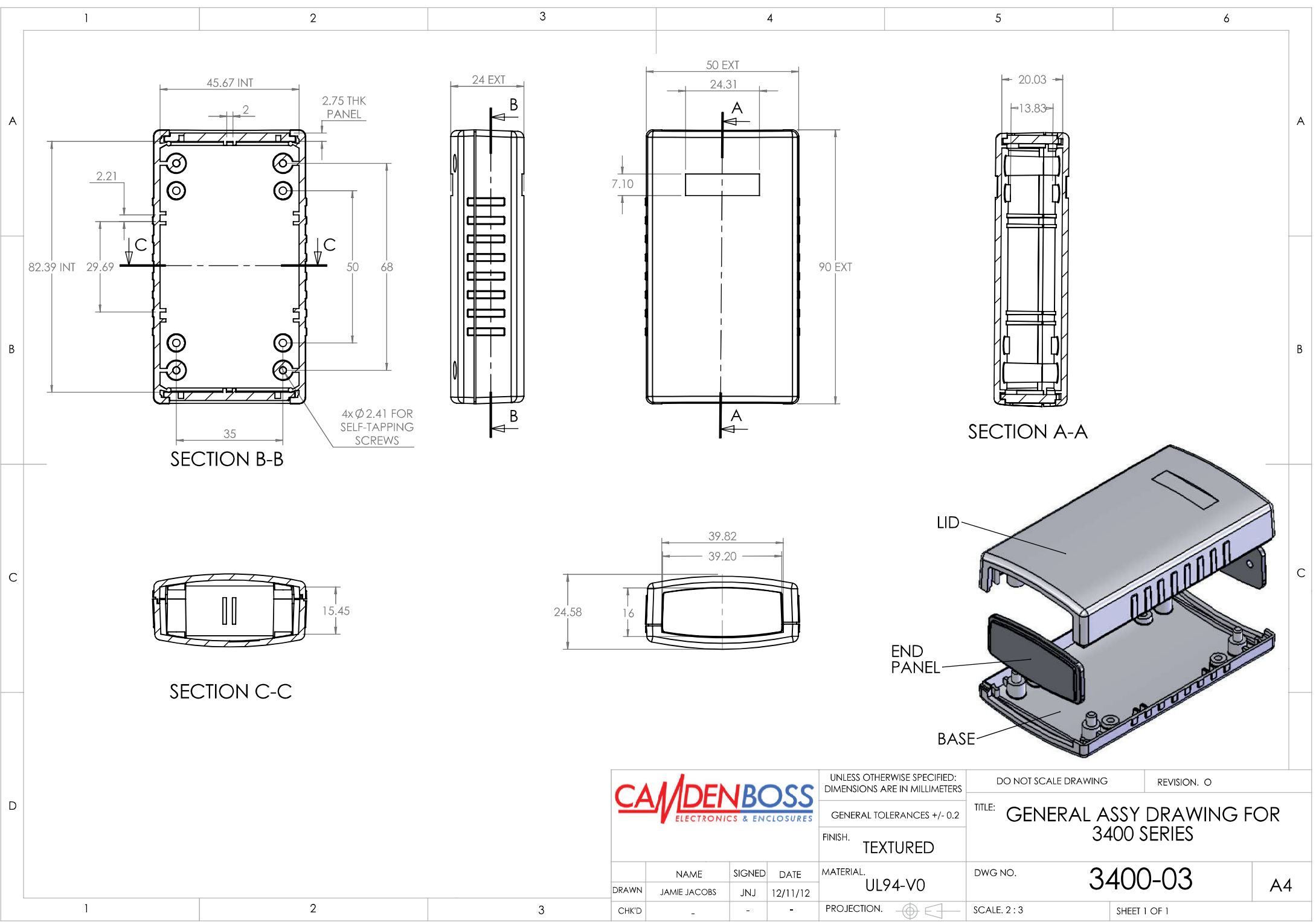
SHEET 1 OF 1



				UNLESS OTHERWISE SPECIFIED: DIMENSIONS ARE IN MILLIMETERS		DO NOT SCALE DRAWING		REVISION: 0	
				GENERAL TOLERANCES +/- 0.2		FINISH: TEXTURED		TITLE: GENERAL ASSY FOR DRAWING 3400 SERIES	
DRAWN	NAME	SIGNED	DATE	MATERIAL:	DWG NO.	3400-01			A4
CHK'D	-	-	-	PROJECTION:			SCALE: 3 : 4	SHEET 1 OF 1	



				UNLESS OTHERWISE SPECIFIED: DIMENSIONS ARE IN MILLIMETERS		DO NOT SCALE DRAWING		REVISION: 0		
				GENERAL TOLERANCES +/- 0.2		TITLE: GENERAL ASSY DRAWING FOR 3400 SERIES				
				FINISH: TEXTURED		MATERIAL: ABS		DWG NO. 3400-31		A4
DRAWN	NAME	SIGNED	DATE	PROJECTION:		SCALE: 2:3		SHEET 1 OF 1		
CHK'D	-	-	-							



UNLESS OTHERWISE SPECIFIED:
DIMENSIONS ARE IN MILLIMETERS

DO NOT SCALE DRAWING REVISION. 0

GENERAL TOLERANCES +/- 0.2

TITLE: GENERAL ASSY DRAWING FOR 3400 SERIES

FINISH. TEXTURED

DRAWN	NAME	SIGNED	DATE
JAMIE JACOBS	JNJ	12/11/12	

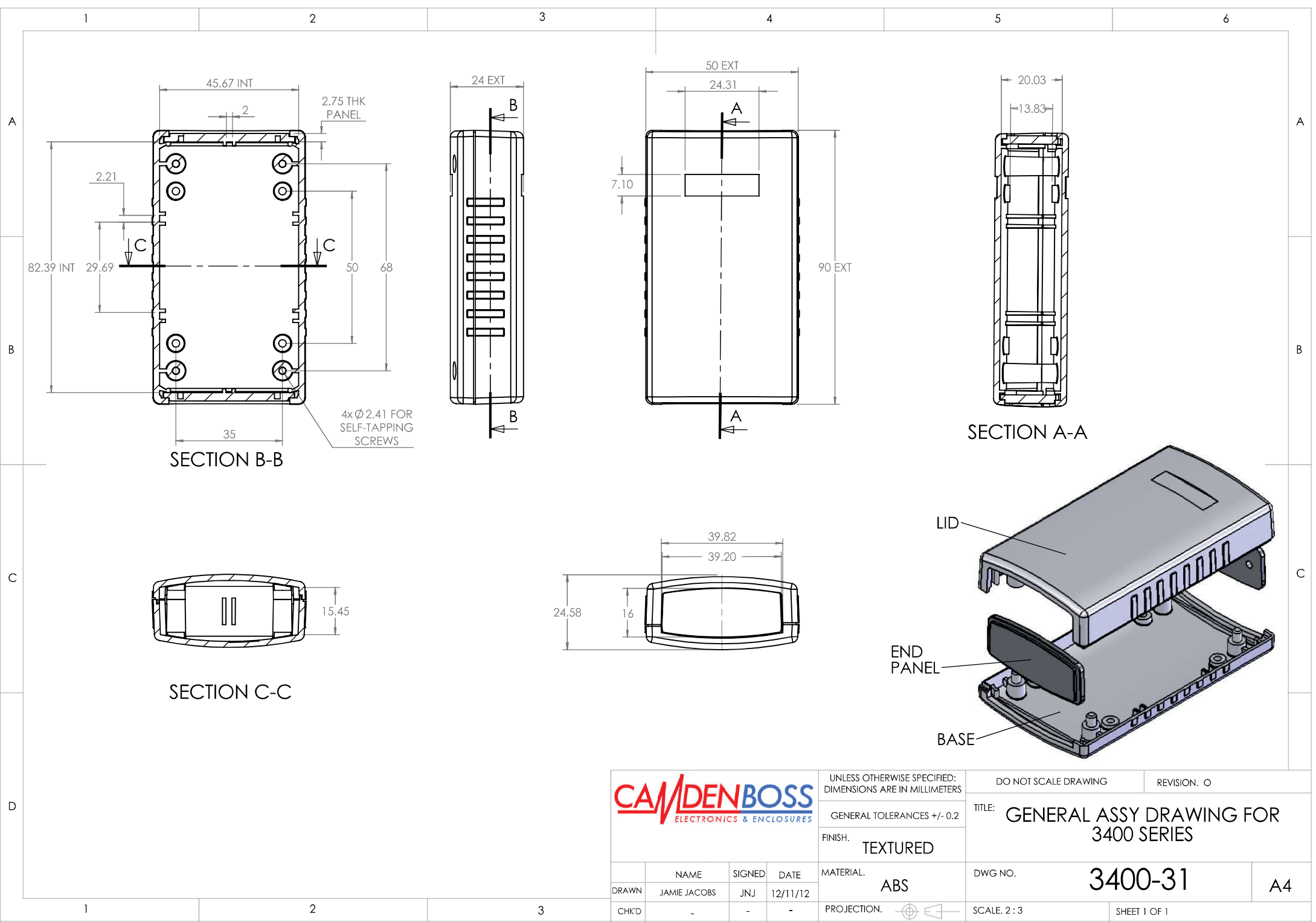
MATERIAL. UL94-V0

DWG NO. 3400-03 A4

CHK'D	-	-	-

PROJECTION.

SCALE: 2:3 SHEET 1 OF 1



UNLESS OTHERWISE SPECIFIED:
DIMENSIONS ARE IN MILLIMETERS

GENERAL TOLERANCES +/- 0.2

FINISH. TEXTURED

DO NOT SCALE DRAWING

REVISION. 0

TITLE: GENERAL ASSY DRAWING FOR 3400 SERIES

DRAWN	NAME	SIGNED	DATE
JAMIE JACOBS	JNJ	12/11/12	
CHK'D	-	-	-

MATERIAL. ABS

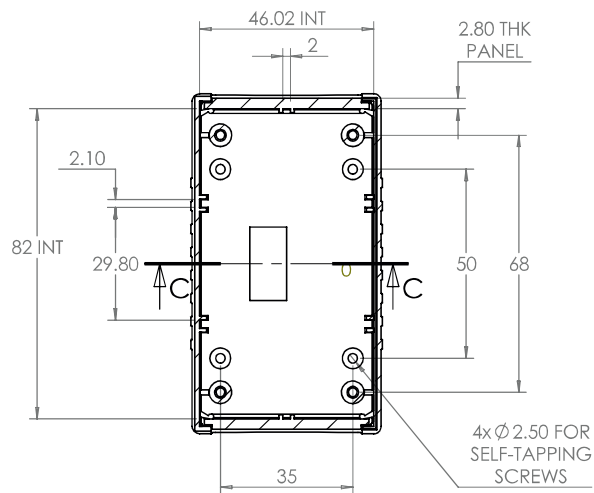
PROJECTION.

DWG NO. 3400-31

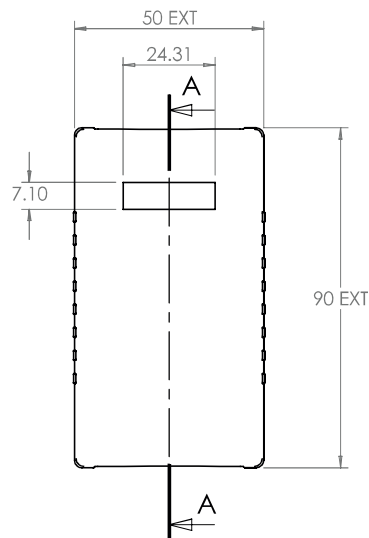
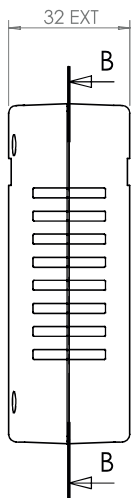
SCALE: 2:3

SHEET 1 OF 1

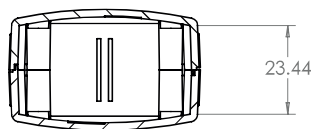
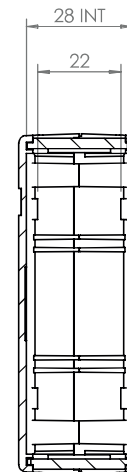
A4



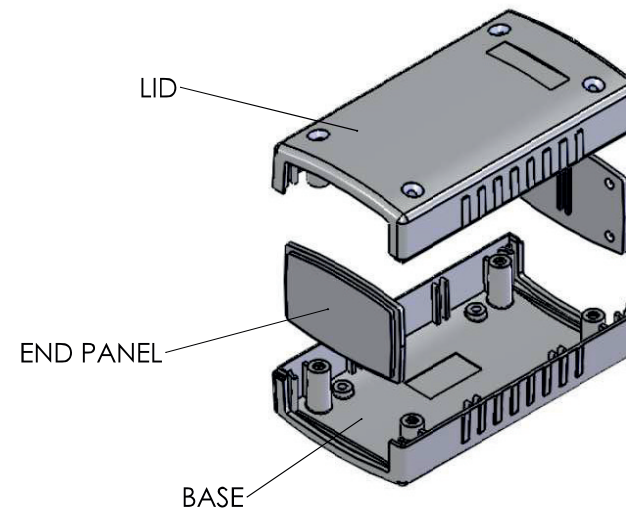
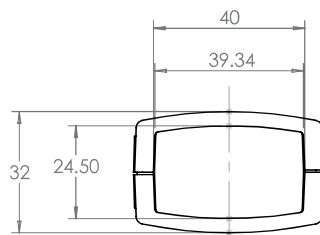
SECTION B-B



SECTION A-A



SECTION C-C



UNLESS OTHERWISE SPECIFIED:
DIMENSIONS ARE IN MILLIMETERS

DO NOT SCALE DRAWING

REVISION: 0

GENERAL TOLERANCES +/- 0.2

TITLE: GENERAL ASSY DRAWING FOR
3400 SERIES

FINISH:
TEXTURED

	NAME	SIGNED	DATE
DRAWN	L. SUBKHANKULOVA	LS	01/04/11
CHK'D	-	-	-

MATERIAL:
UL94-V0

DWG NO.

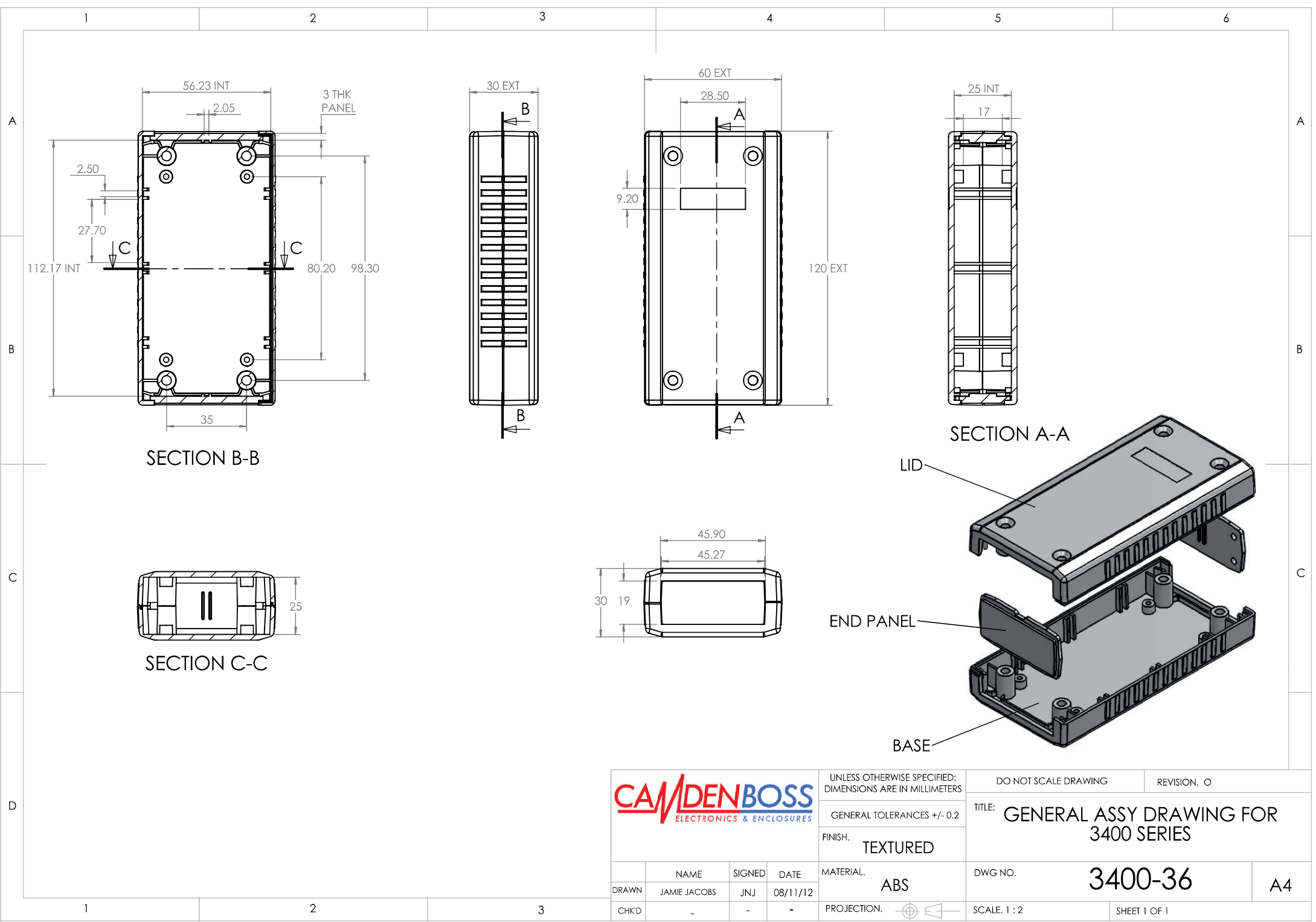
3400-04

A4

PROJECTION:

SCALE: 1 : 2

SHEET 1 OF 1



				UNLESS OTHERWISE SPECIFIED: DIMENSIONS ARE IN MILLIMETERS		DO NOT SCALE DRAWING		REVISION. 0					
				GENERAL TOLERANCES +/- 0.2		FINISH. TEXTURED		TITLE: GENERAL ASSY DRAWING FOR 3400 SERIES					
DRAWN		NAME		SIGNED		DATE		MATERIAL.		DWG NO.		A4	
CHK'D		-		-		-		ABS		3400-36			
				PROJECTION.				SCALE. 1 : 2		SHEET 1 OF 1			

1 2 3 4 5 6

A

B

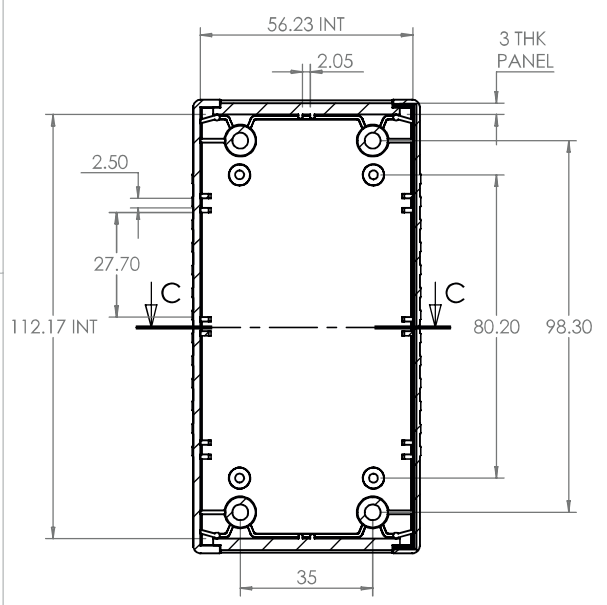
C

D

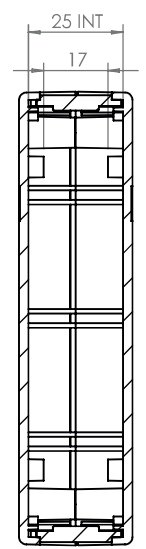
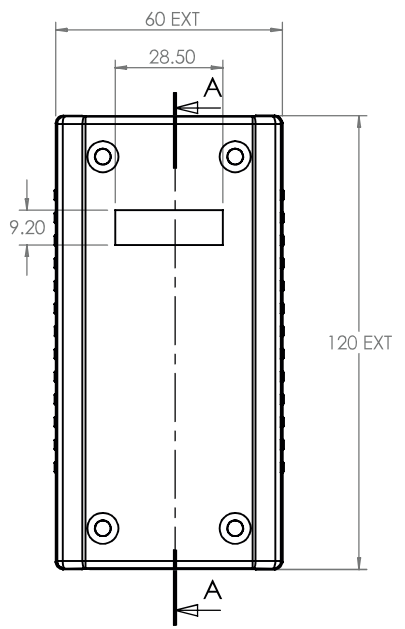
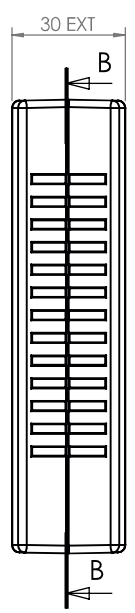
A

B

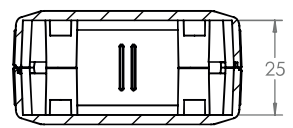
C



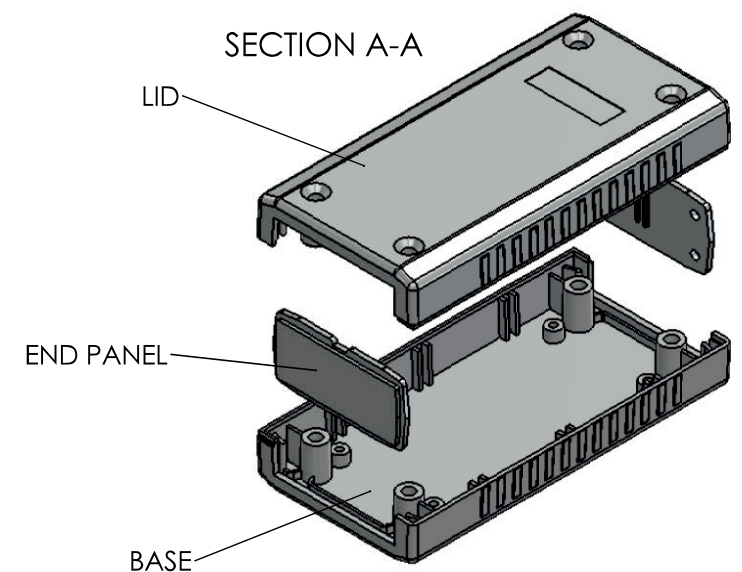
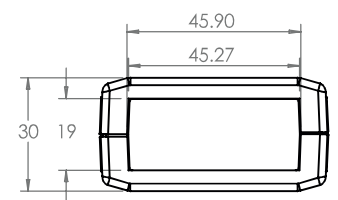
SECTION B-B



SECTION A-A



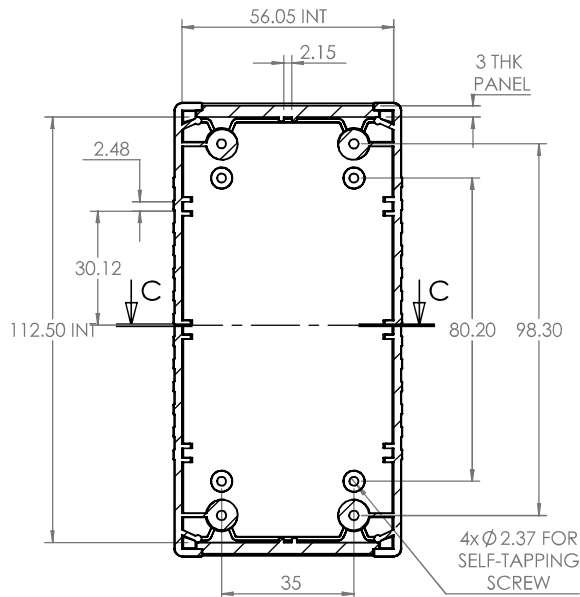
SECTION C-C



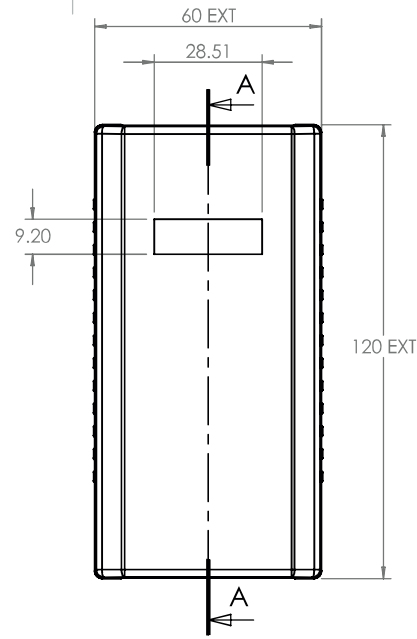
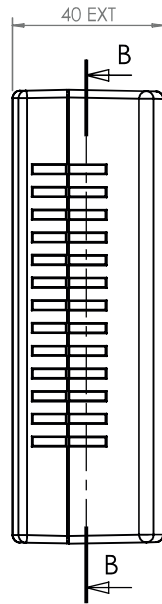
		UNLESS OTHERWISE SPECIFIED: DIMENSIONS ARE IN MILLIMETERS		DO NOT SCALE DRAWING		REVISION. ○	
		GENERAL TOLERANCES +/- 0.2		TITLE: GENERAL ASSY DRAWING FOR 3400 SERIES			
		FINISH. TEXTURED		MATERIAL. UL94-V0		DWG NO. 3400-07	
DRAWN	NAME JAMIE JACOBS	SIGNED JNJ	DATE 08/11/12	PROJECTION.		SCALE. 1 : 2	
CHK'D	-	-	-			SHEET 1 OF 1	

A4

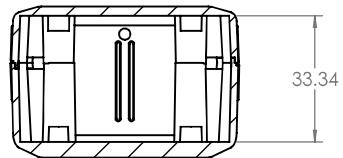
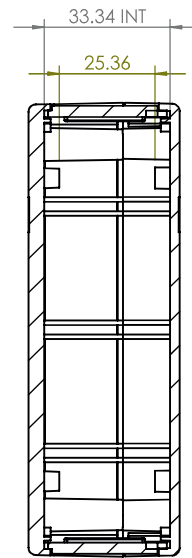
1 2 3



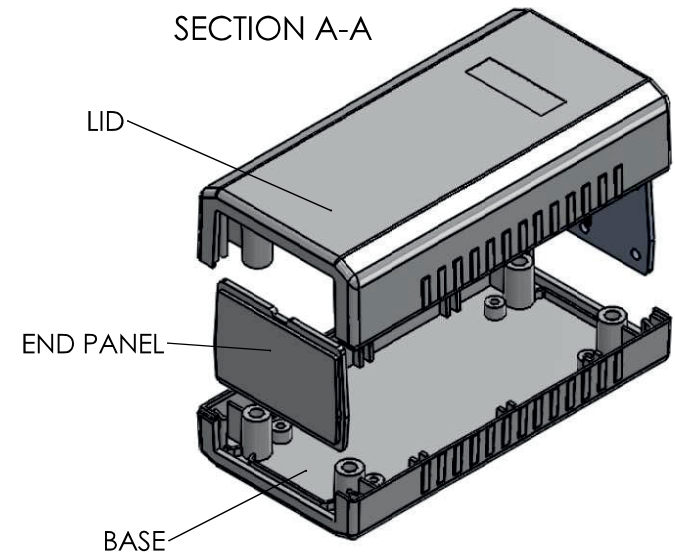
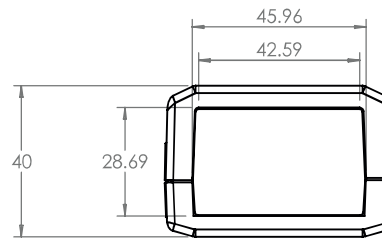
SECTION B-B



SECTION A-A



SECTION C-C



UNLESS OTHERWISE SPECIFIED:
DIMENSIONS ARE IN MILLIMETERS

DO NOT SCALE DRAWING

REVISION: 0

GENERAL TOLERANCES +/- 0.2

TITLE: GENERAL ASSY DRAWING FOR
3400 SERIES

FINISH:
TEXTURED

MATERIAL:
ABS

DWG NO. 3400-38

A4

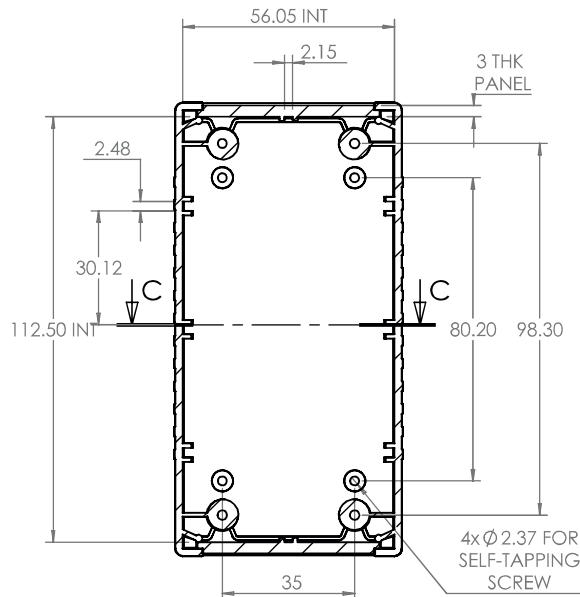
DRAWN	NAME	SIGNED	DATE
JAMIE JACOBS	JNJ	09/11/12	

CHK'D			
-	-	-	-

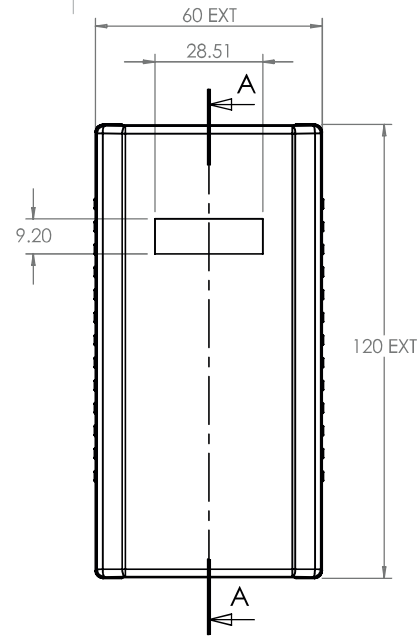
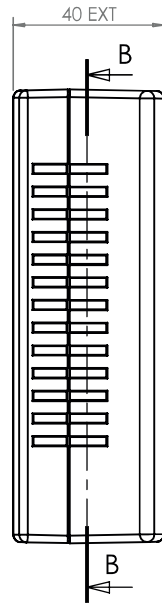
PROJECTION:

SCALE: 1 : 2

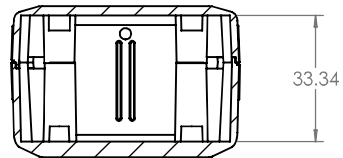
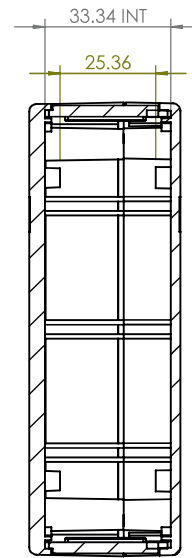
SHEET 1 OF 1



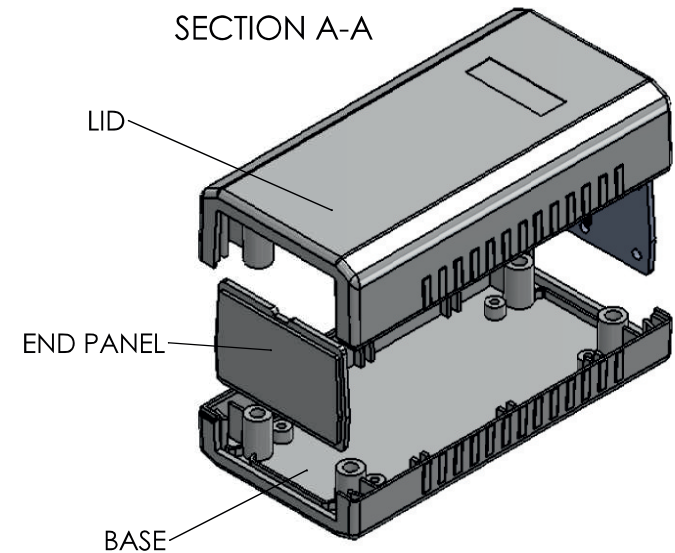
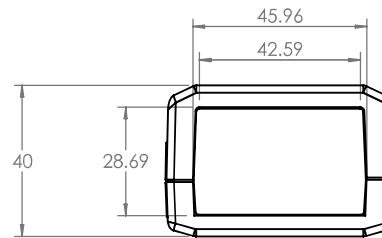
SECTION B-B



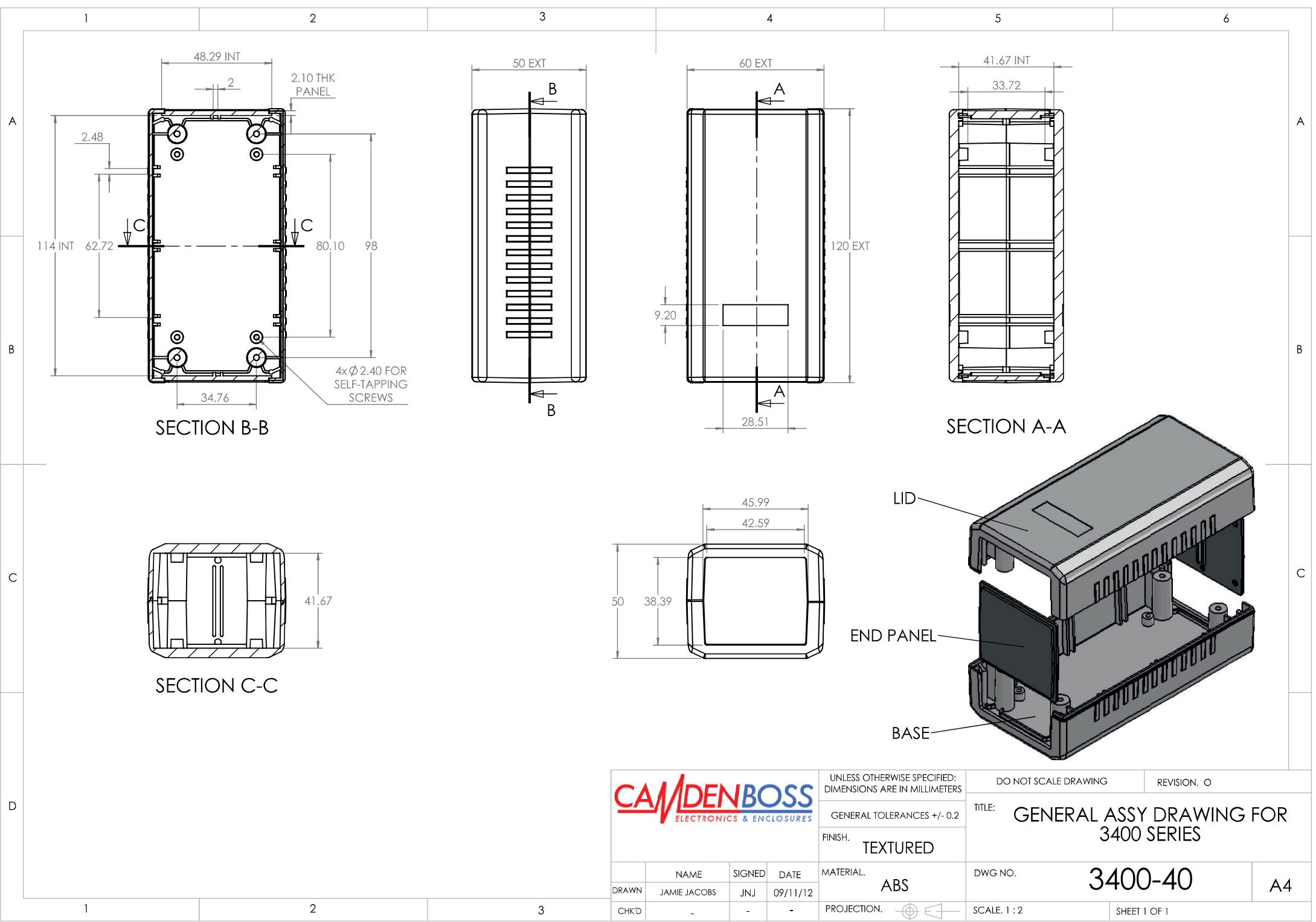
SECTION A-A



SECTION C-C



		UNLESS OTHERWISE SPECIFIED: DIMENSIONS ARE IN MILLIMETERS		DO NOT SCALE DRAWING	REVISION. 0
		GENERAL TOLERANCES +/- 0.2		TITLE: GENERAL ASSY DRAWING FOR 3400 SERIES	
		FINISH. TEXTURED		DWG NO.	3400-10
DRAWN	NAME JAMIE JACOBS	SIGNED JNJ	DATE 09/11/12	MATERIAL. UL94-VO	A4
CHK'D	-	-	-	PROJECTION.	SHEET 1 OF 1
				SCALE. 1 : 2	



UNLESS OTHERWISE SPECIFIED:
DIMENSIONS ARE IN MILLIMETERS

GENERAL TOLERANCES +/- 0.2

FINISH:
TEXTURED

DO NOT SCALE DRAWING

REVISION: 0

TITLE: **GENERAL ASSY DRAWING FOR 3400 SERIES**

	NAME	SIGNED	DATE
DRAWN	JAMIE JACOBS	JNJ	09/11/12
CHK'D	-	-	-

MATERIAL:
ABS

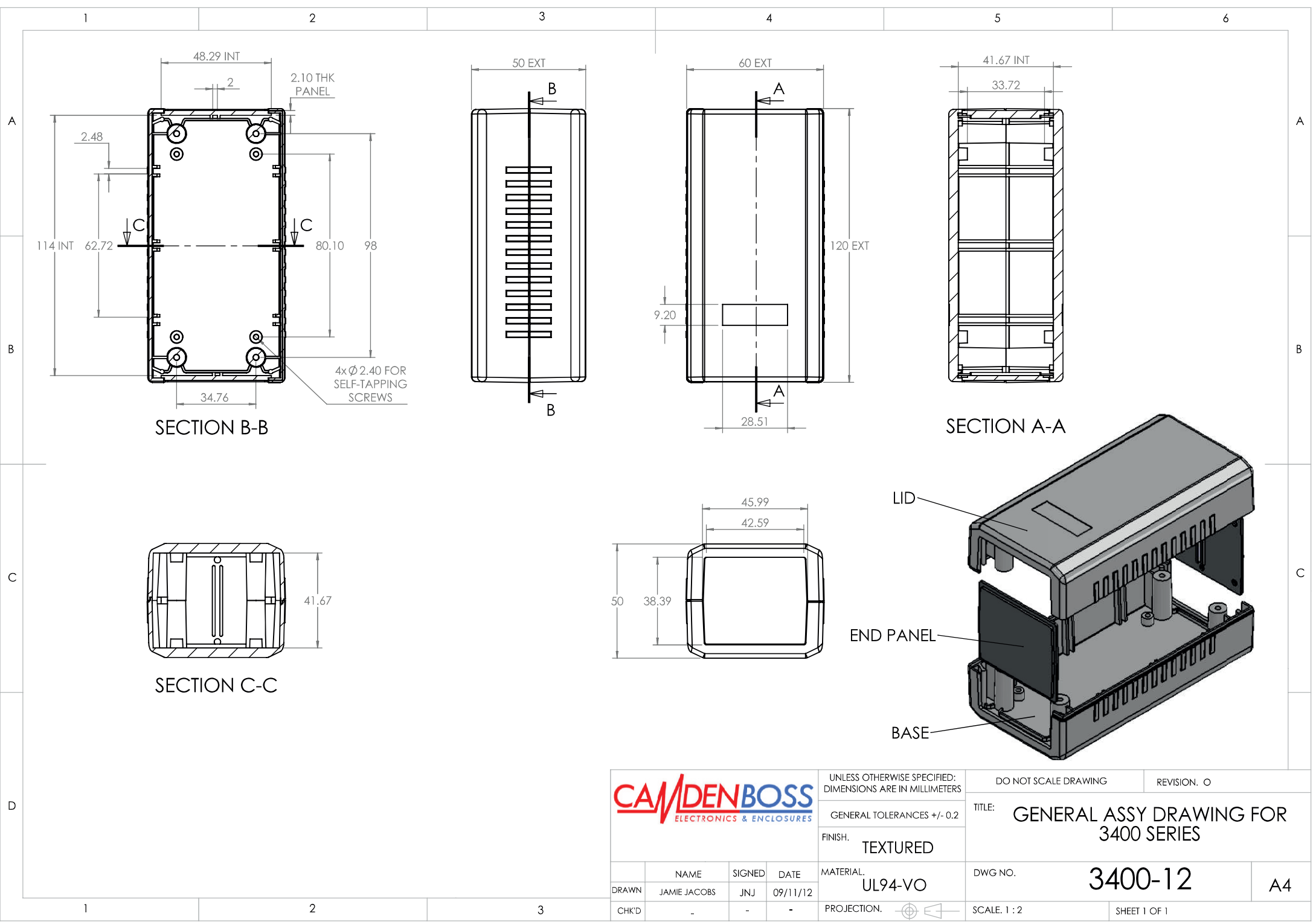
PROJECTION:

DWG NO. **3400-40**

SCALE: 1 : 2

SHEET 1 OF 1

A4



UNLESS OTHERWISE SPECIFIED:
DIMENSIONS ARE IN MILLIMETERS

DO NOT SCALE DRAWING

REVISION: 0

GENERAL TOLERANCES +/- 0.2

TITLE: GENERAL ASSY DRAWING FOR 3400 SERIES

FINISH: TEXTURED

DWG NO. 3400-12

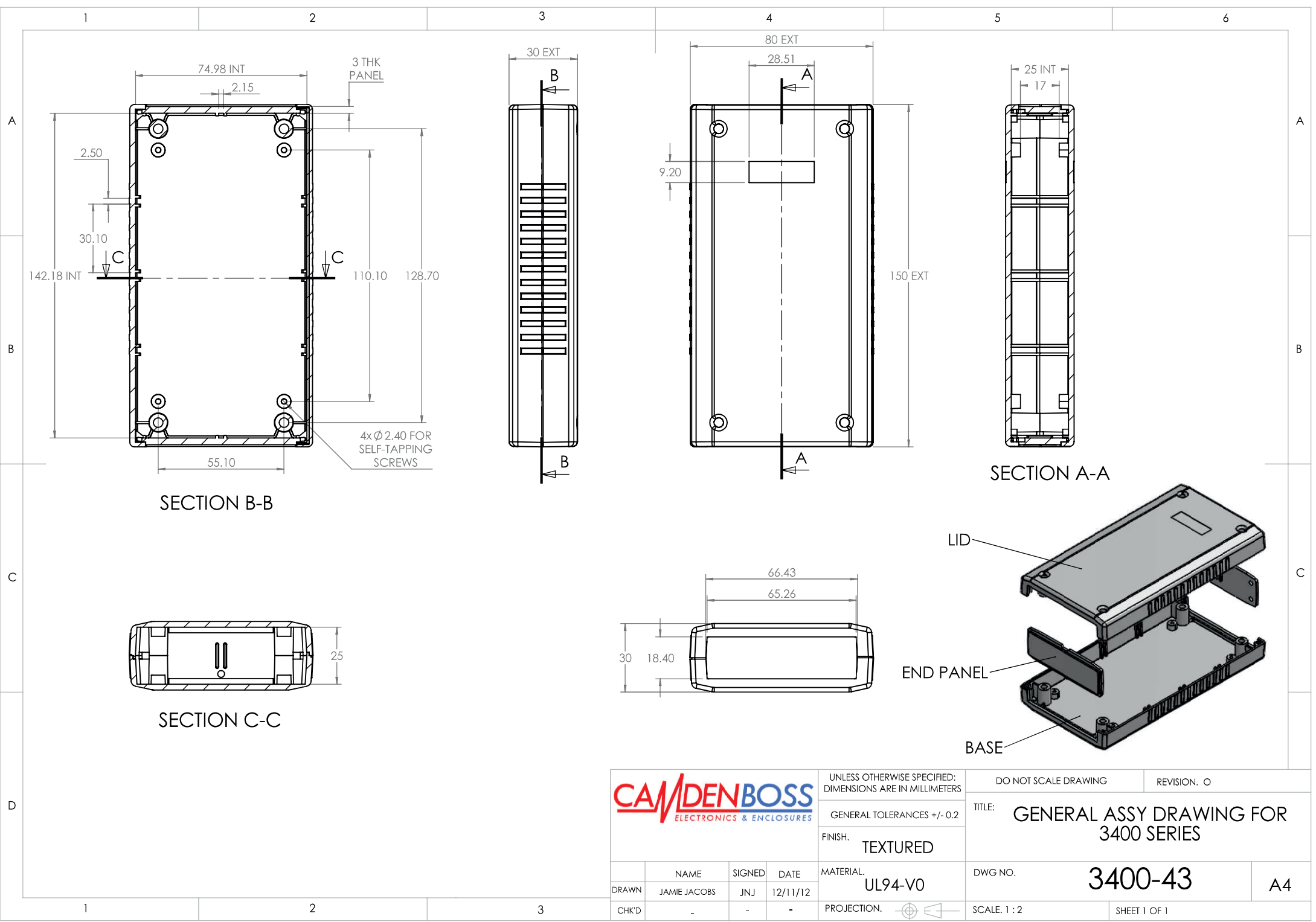
	NAME	SIGNED	DATE	MATERIAL
DRAWN	JAMIE JACOBS	JNJ	09/11/12	UL94-VO
CHK'D	-	-	-	

PROJECTION:

SCALE: 1 : 2

SHEET 1 OF 1

A4



UNLESS OTHERWISE SPECIFIED:
DIMENSIONS ARE IN MILLIMETERS

DO NOT SCALE DRAWING

REVISION: 0

GENERAL TOLERANCES +/- 0.2

TITLE: GENERAL ASSY DRAWING FOR 3400 SERIES

FINISH: TEXTURED

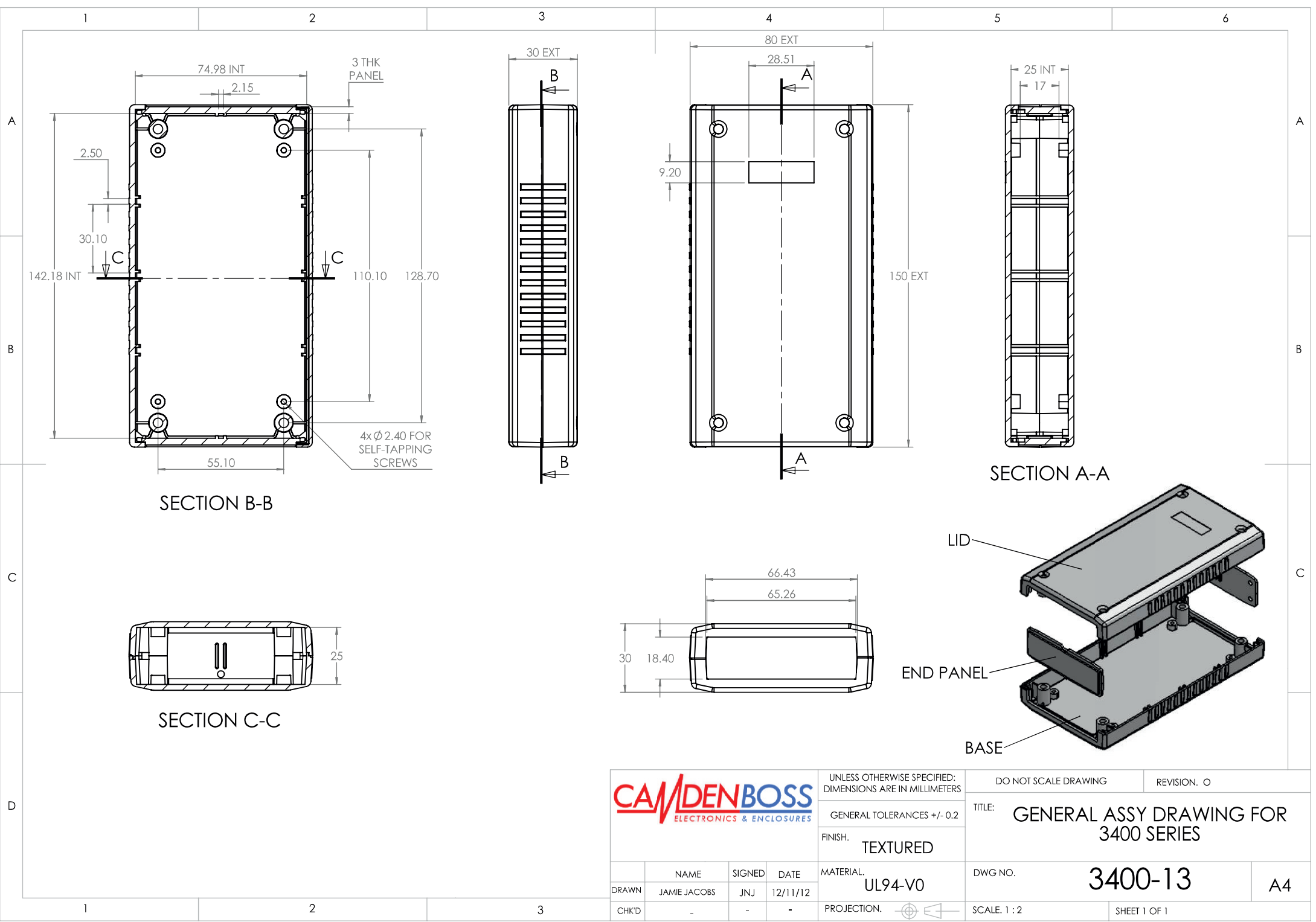
DRAWN	NAME	SIGNED	DATE
JAMIE JACOBS	JNJ	12/11/12	

MATERIAL: UL94-V0

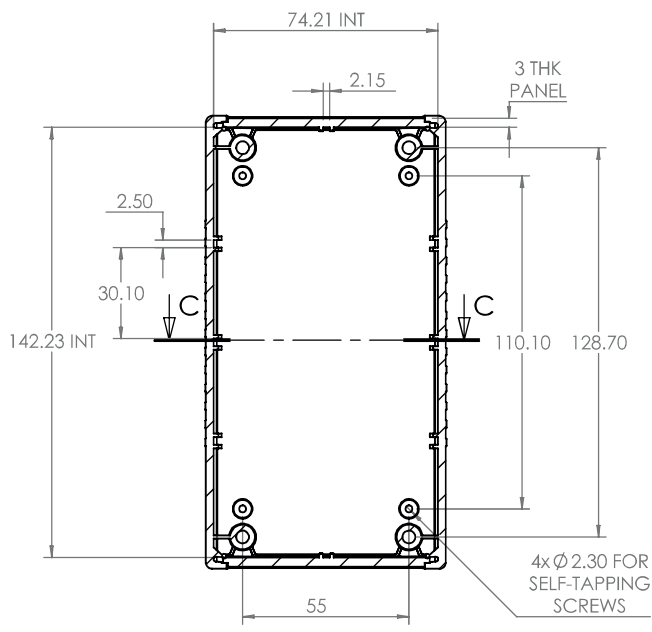
DWG NO. 3400-43 A4

PROJECTION:

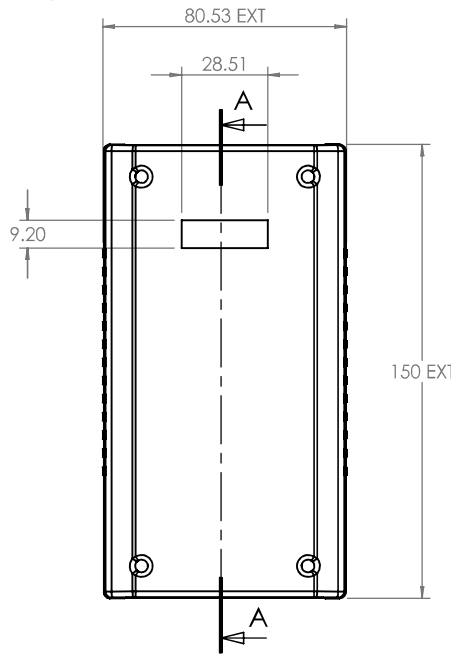
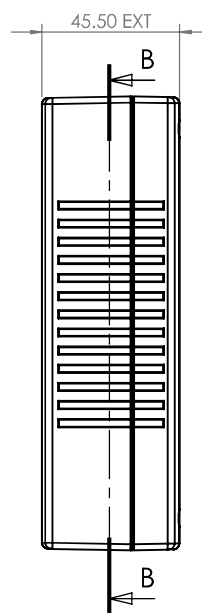
SCALE: 1 : 2 SHEET 1 OF 1



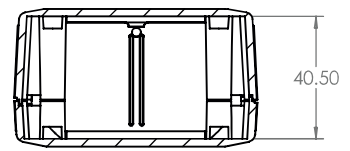
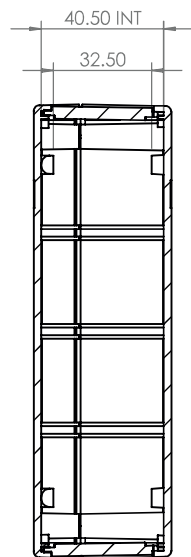
				UNLESS OTHERWISE SPECIFIED: DIMENSIONS ARE IN MILLIMETERS		DO NOT SCALE DRAWING		REVISION: 0	
				GENERAL TOLERANCES +/- 0.2		TITLE: GENERAL ASSY DRAWING FOR 3400 SERIES			
				FINISH: TEXTURED		DWG NO. 3400-13		A4	
DRAWN	NAME	SIGNED	DATE	MATERIAL: UL94-V0		SCALE: 1 : 2		SHEET 1 OF 1	
CHK'D	-	-	-	PROJECTION:					



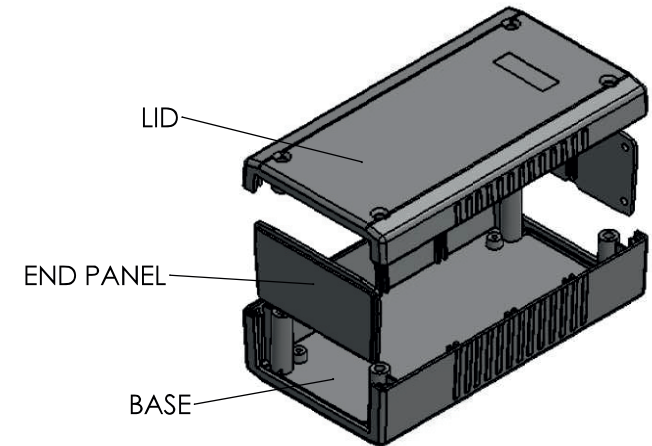
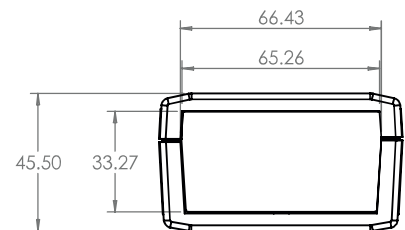
SECTION B-B



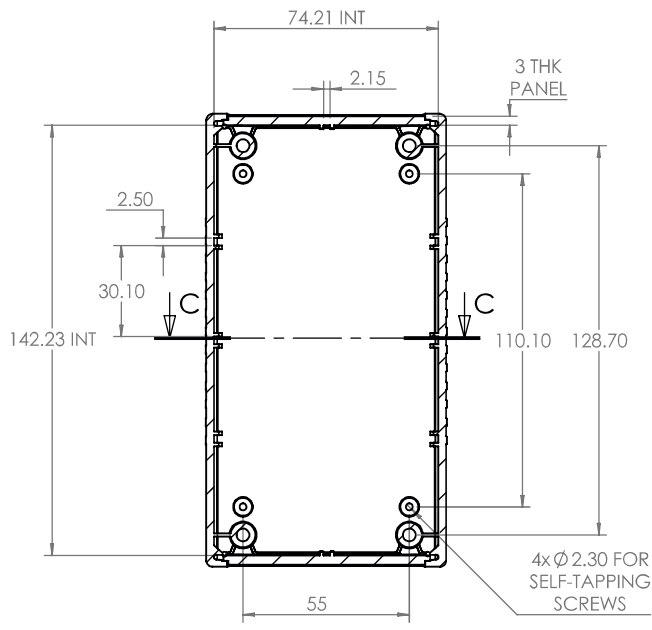
SECTION A-A



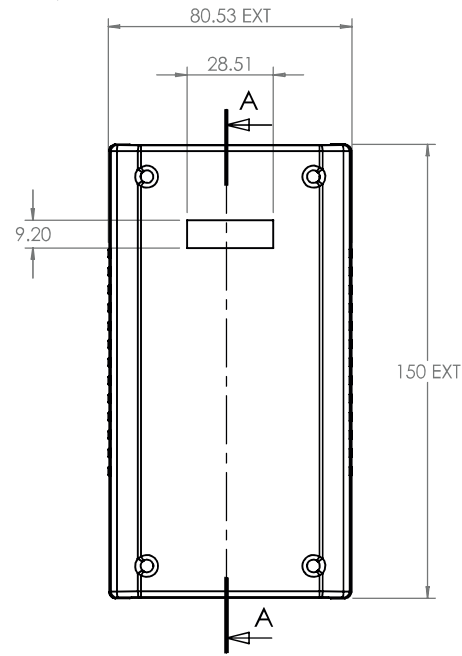
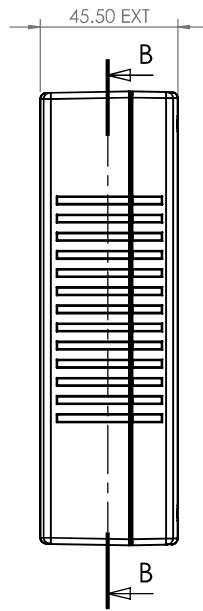
SECTION C-C



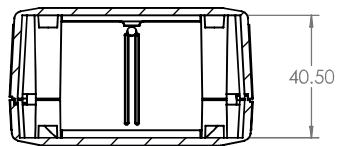
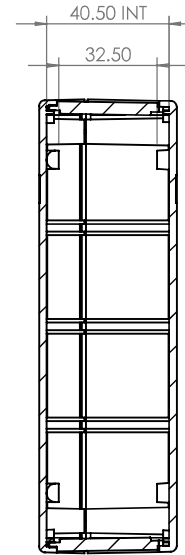
		UNLESS OTHERWISE SPECIFIED: DIMENSIONS ARE IN MILLIMETERS		DO NOT SCALE DRAWING	REVISION. 0
		GENERAL TOLERANCES +/- 0.2		TITLE: GENERAL ASSY DRAWING FOR 3400 SERIES	
		FINISH. TEXTURED		DWG NO.	3400-45
DRAWN	NAME JAMIE JACOBS	SIGNED JNJ	DATE 12/11/12	MATERIAL. UL94-V0	A4
CHK'D	-	-	-	PROJECTION. 	SCALE: 2 : 5 SHEET 1 OF 1



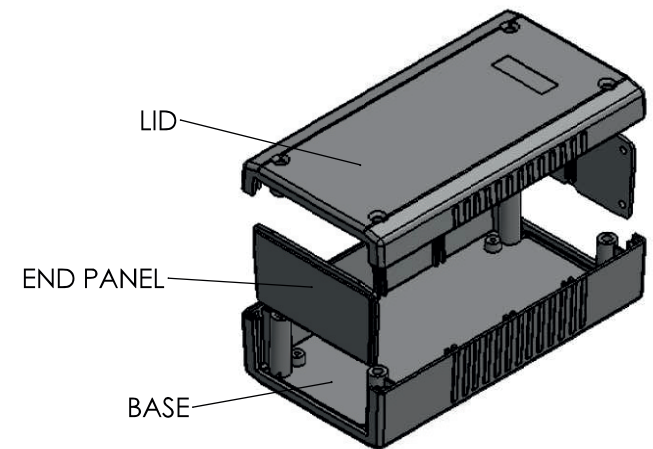
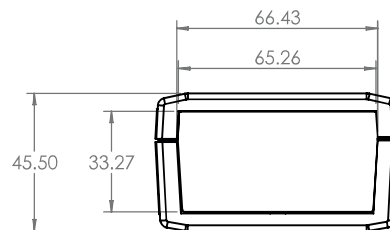
SECTION B-B



SECTION A-A



SECTION C-C



UNLESS OTHERWISE SPECIFIED:
DIMENSIONS ARE IN MILLIMETERS

DO NOT SCALE DRAWING

REVISION. 0

GENERAL TOLERANCES +/- 0.2

TITLE: GENERAL ASSY DRAWING FOR
3400 SERIES

FINISH. TEXTURED

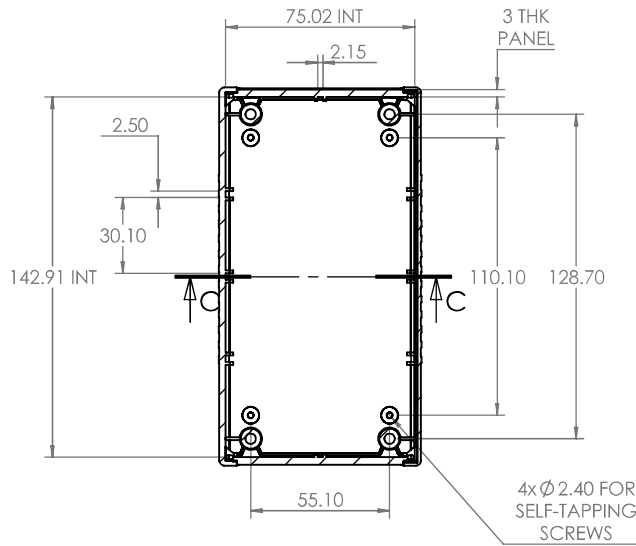
	NAME	SIGNED	DATE
DRAWN	JAMIE JACOBS	JNJ	12/11/12
CHK'D	-	-	-

MATERIAL. UL94-V0

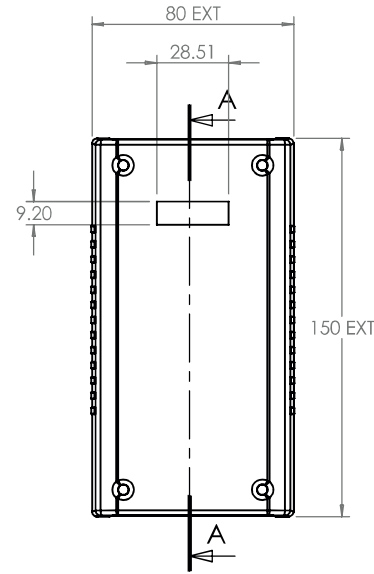
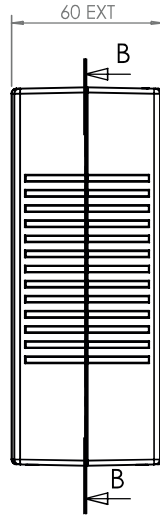
DWG NO. 3400-16 A4

PROJECTION.

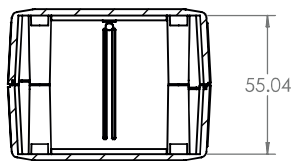
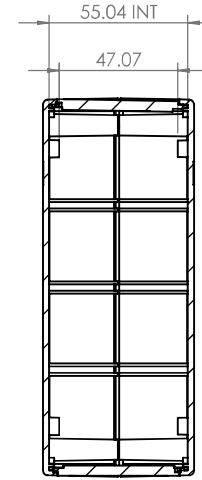
SCALE: 2 : 5 SHEET 1 OF 1



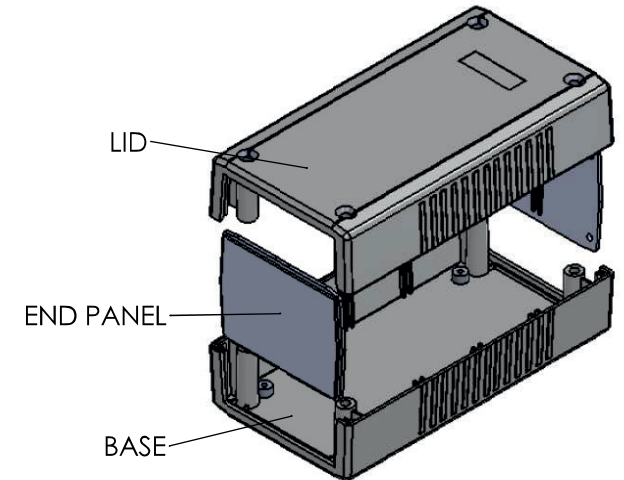
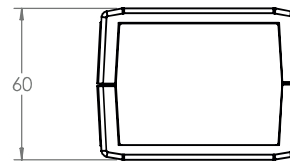
SECTION B-B



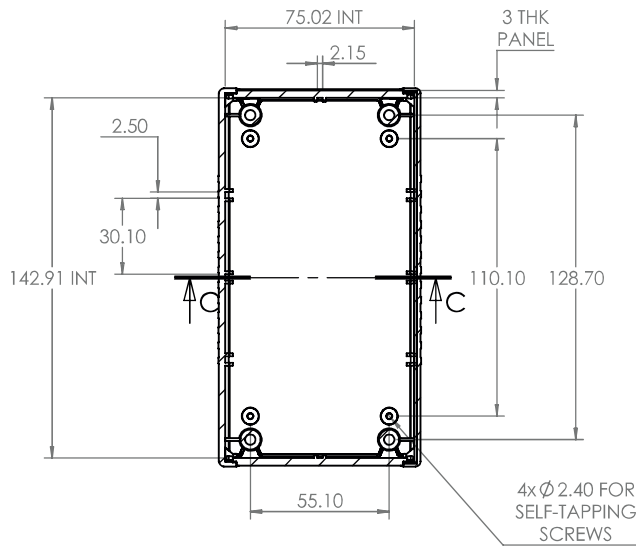
SECTION A-A



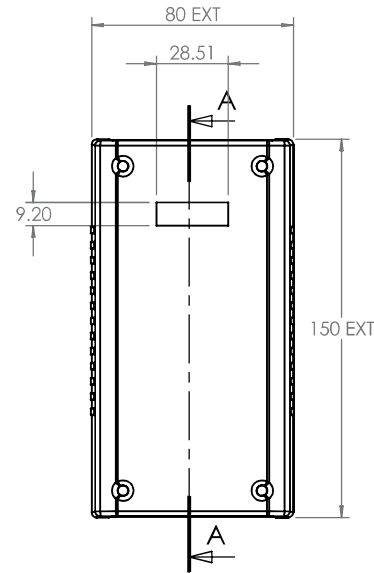
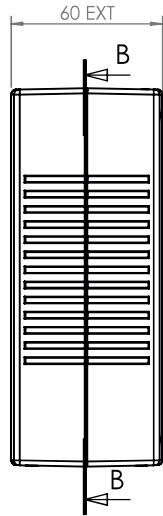
SECTION C-C



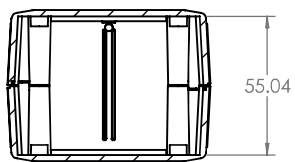
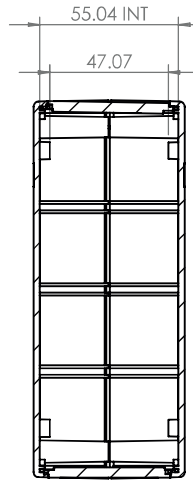
				UNLESS OTHERWISE SPECIFIED: DIMENSIONS ARE IN MILLIMETERS		DO NOT SCALE DRAWING		REVISION: 0	
				GENERAL TOLERANCES +/- 0.2		TITLE: GENERAL ASSY DRAWING FOR 3400 SERIES			
				FINISH: TEXTURED		DWG NO. 3400-47		A4	
DRAWN: JAMIE JACOBS		SIGNED: JNJ		DATE: 12/11/12		MATERIAL: UL94-V0		SCALE: 1 : 3	
CHK'D: -		-		-		PROJECTION:		SHEET 1 OF 1	



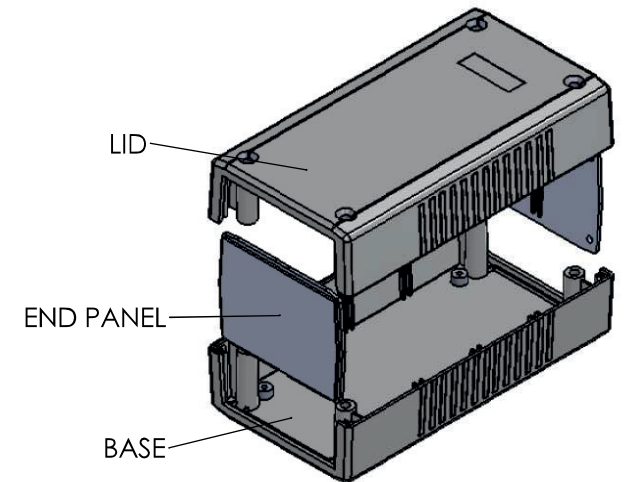
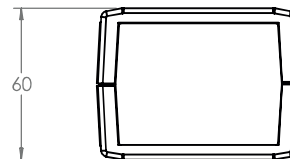
SECTION B-B



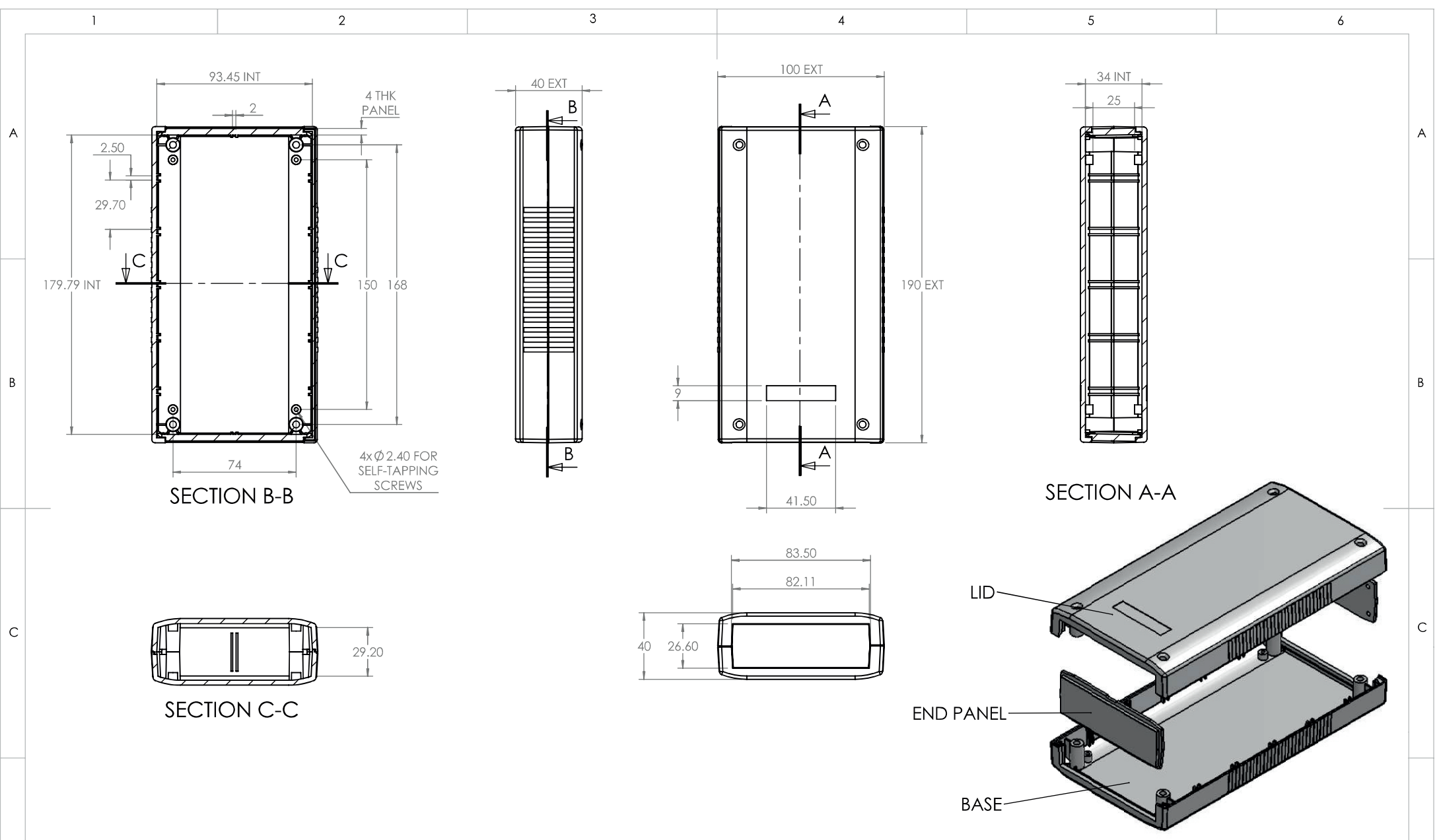
SECTION A-A



SECTION C-C



		UNLESS OTHERWISE SPECIFIED: DIMENSIONS ARE IN MILLIMETERS		DO NOT SCALE DRAWING	REVISION: 0
		GENERAL TOLERANCES +/- 0.2		TITLE: GENERAL ASSY DRAWING FOR 3400 SERIES	
		FINISH: TEXTURED		MATERIAL: UL94-V0	
DRAWN	NAME: JAMIE JACOBS	SIGNED: JNJ	DATE: 12/11/12	DWG NO.	3400-18
CHK'D	-	-	-	SCALE: 1 : 3	SHEET 1 OF 1
PROJECTION:				A4	



UNLESS OTHERWISE SPECIFIED:
DIMENSIONS ARE IN MILLIMETERS

DO NOT SCALE DRAWING

REVISION: 0

GENERAL TOLERANCES +/- 0.2

TITLE: GENERAL ASSY DRAWING FOR
3400 SERIES

FINISH: TEXTURED

	NAME	SIGNED	DATE
DRAWN	JAMIE JACOBS	JNJ	12/11/12
CHK'D	-	-	-

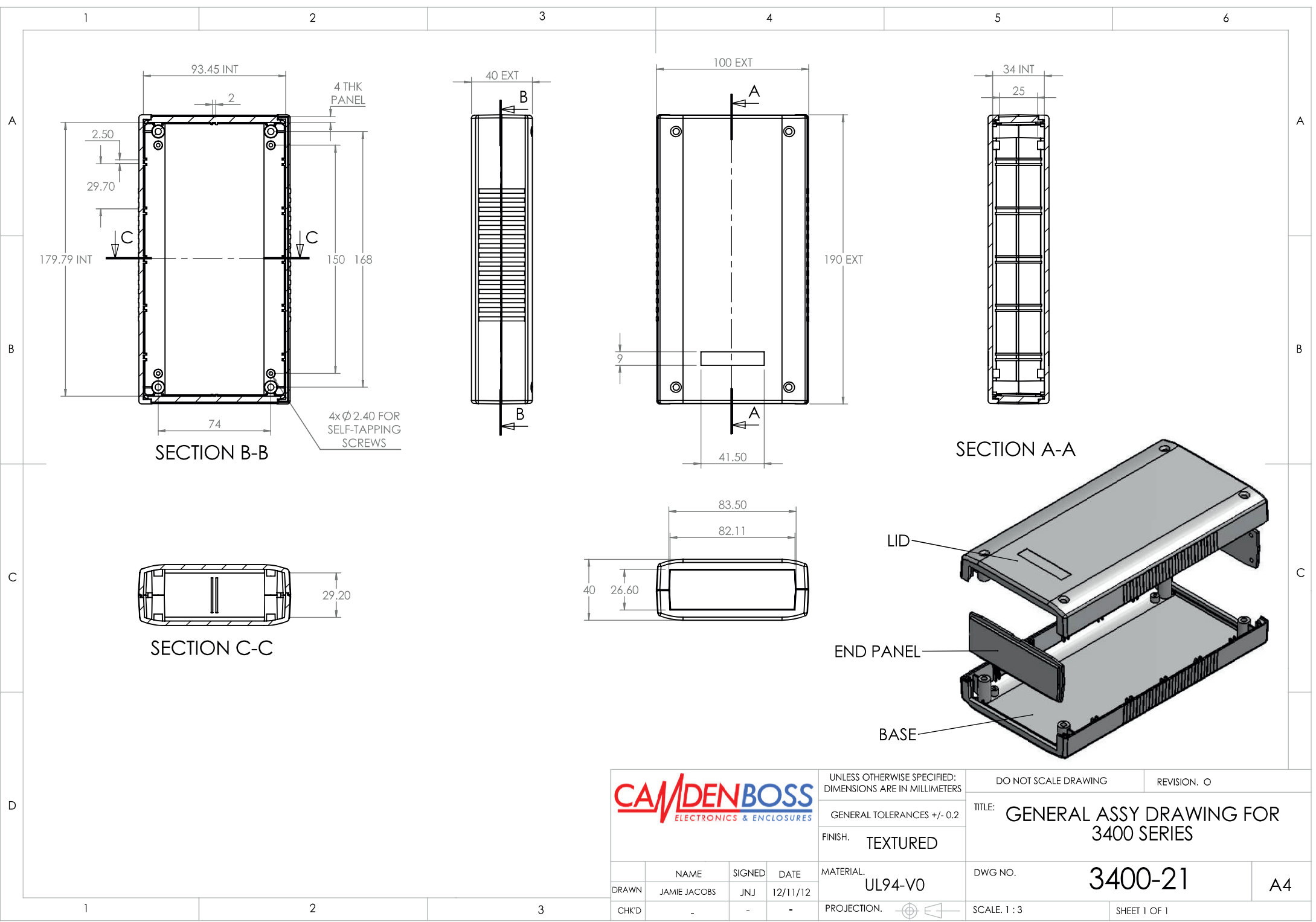
MATERIAL:
ABS

DWG NO. 3400-52 A4

PROJECTION:

SCALE: 1 : 3

SHEET 1 OF 1



UNLESS OTHERWISE SPECIFIED:
DIMENSIONS ARE IN MILLIMETERS

GENERAL TOLERANCES +/- 0.2

FINISH. TEXTURED

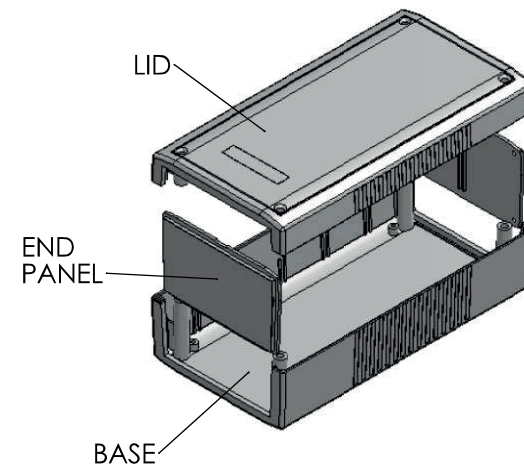
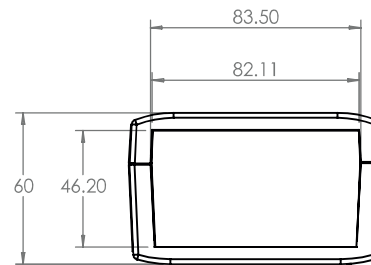
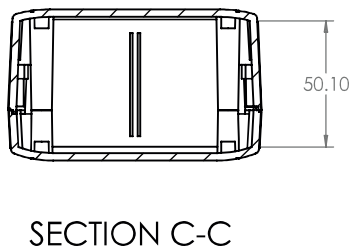
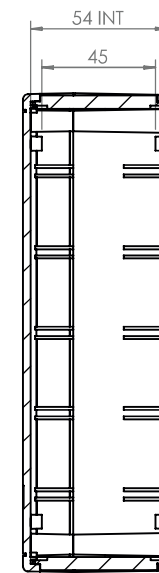
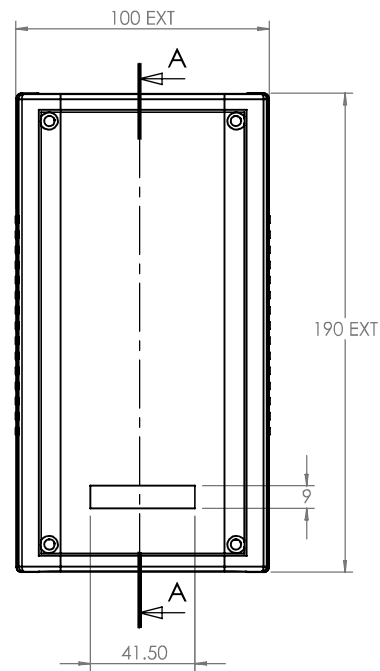
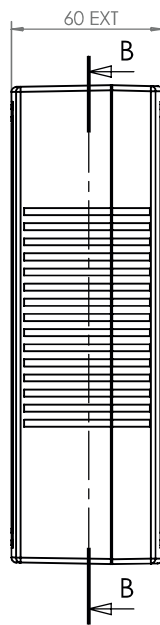
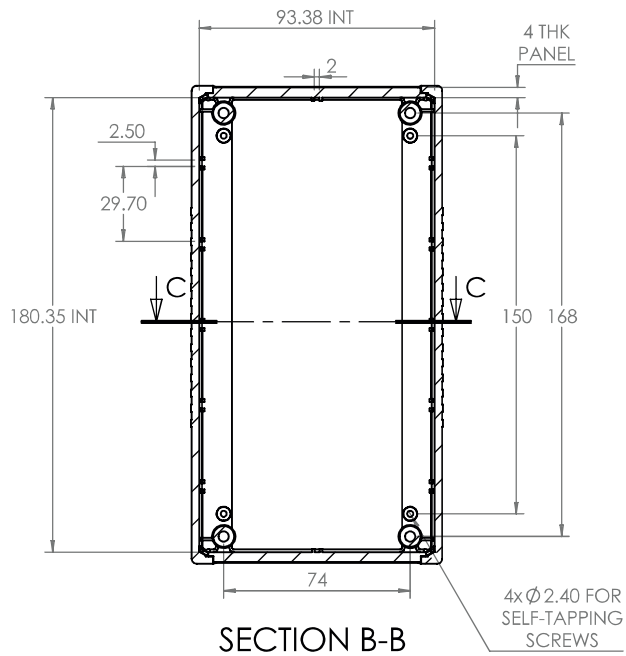
MATERIAL. UL94-V0

PROJECTION.

DO NOT SCALE DRAWING		REVISION. 0	
TITLE: GENERAL ASSY DRAWING FOR 3400 SERIES			
DWG NO.		3400-21	
SCALE. 1 : 3		SHEET 1 OF 1	

DRAWN	NAME	SIGNED	DATE
JAMIE JACOBS	JNJ		12/11/12
CHK'D	-	-	-

A4



CAMDENBOSS
ELECTRONICS & ENCLOSURES

UNLESS OTHERWISE SPECIFIED:
DIMENSIONS ARE IN MILLIMETERS

DO NOT SCALE DRAWING

REVISION. 0

GENERAL TOLERANCES +/- 0.2

TITLE: GENERAL ASSY DRAWING FOR
3400 SERIES

FINISH.
TEXTURED

DRAWN	NAME	SIGNED	DATE
JAMIE JACOBS	JNJ	08/11/12	

MATERIAL.
UL94-VO

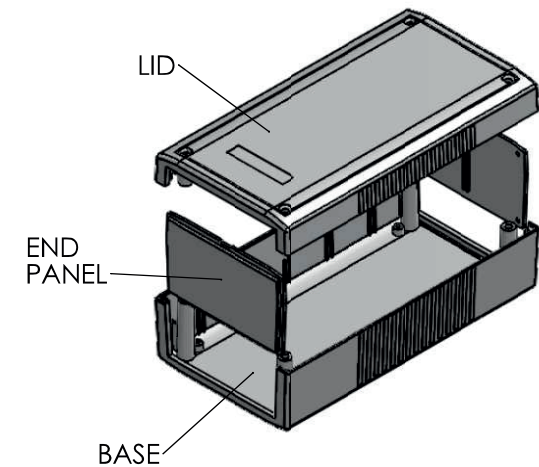
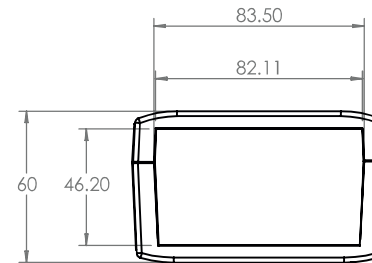
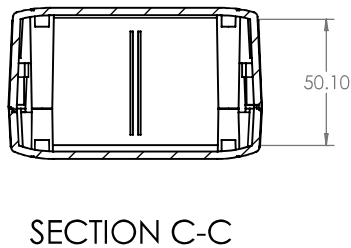
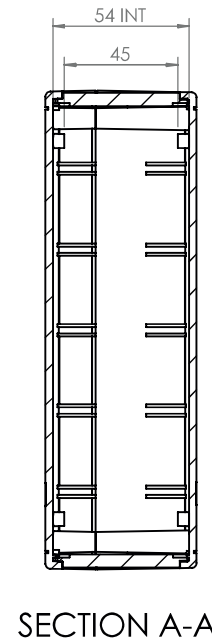
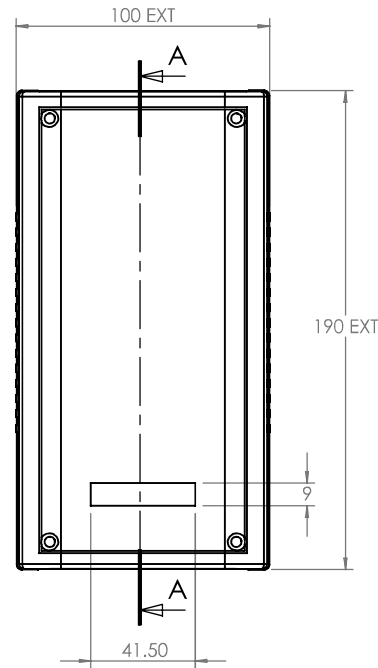
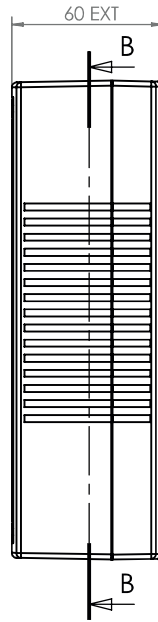
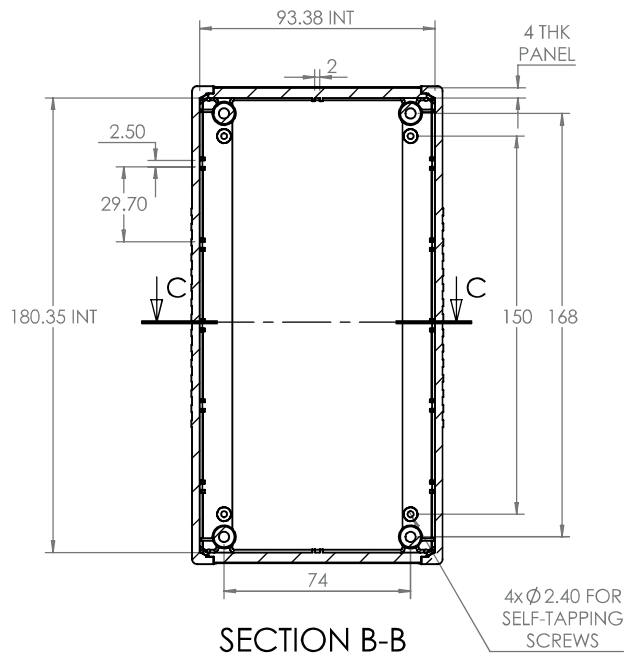
DWG NO. 3400-54

A4

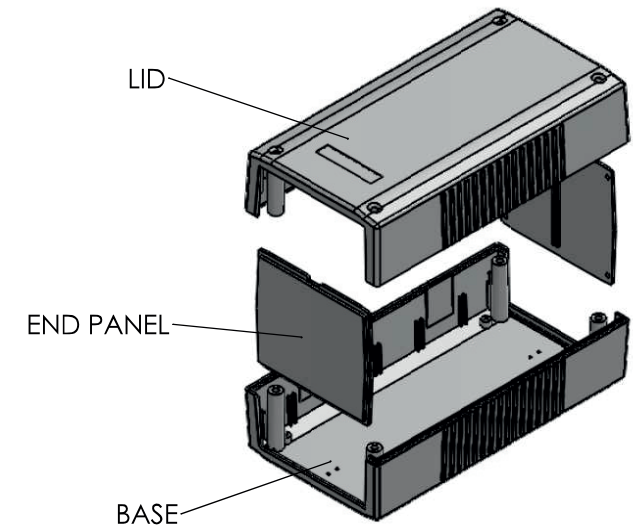
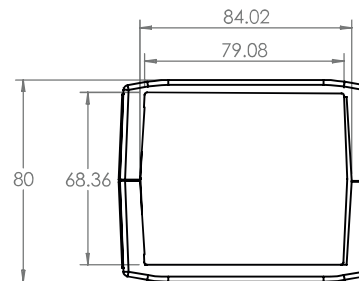
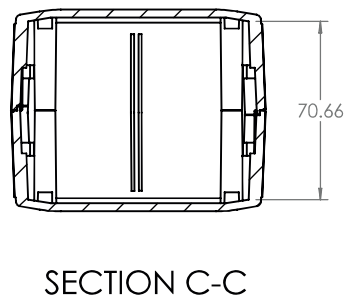
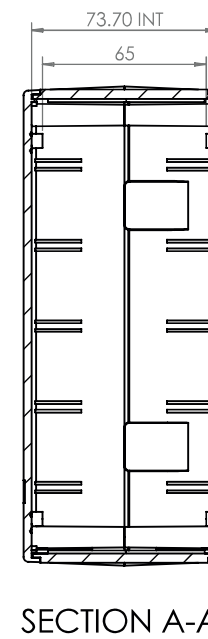
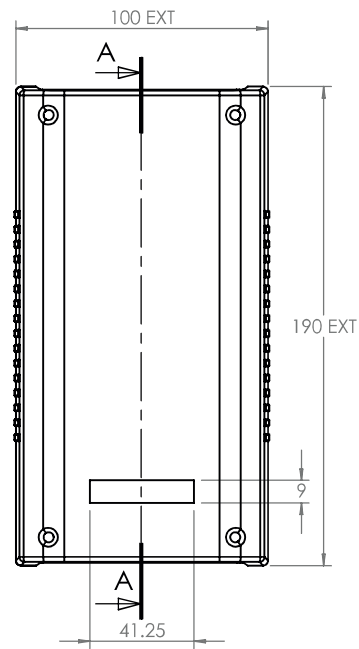
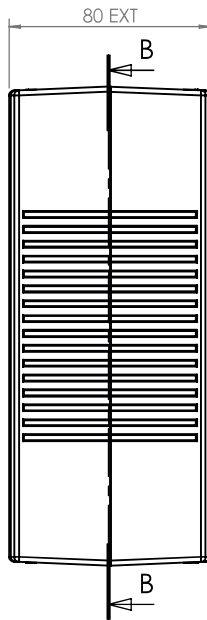
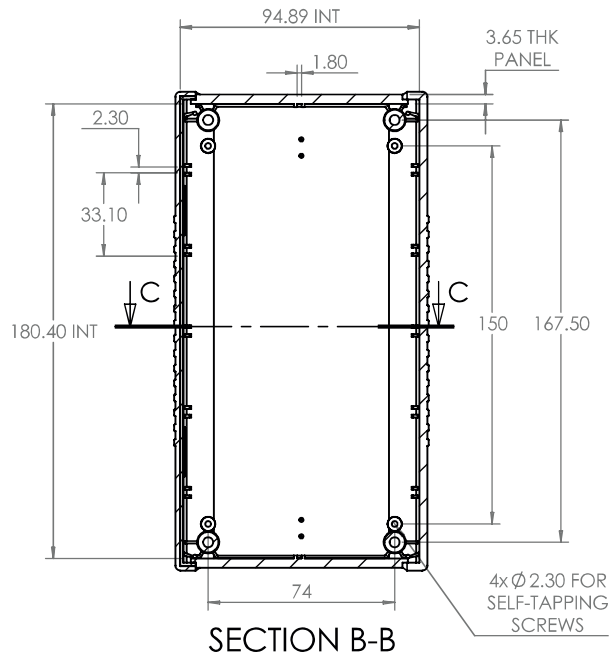
PROJECTION.

SCALE. 1 : 3

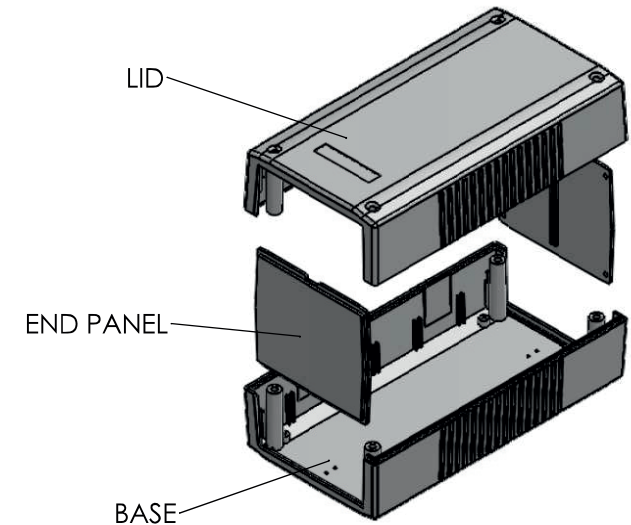
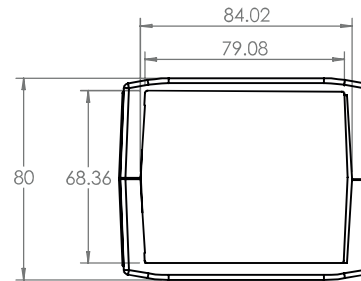
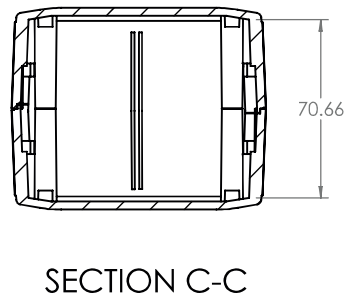
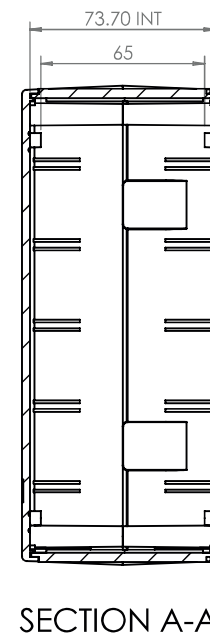
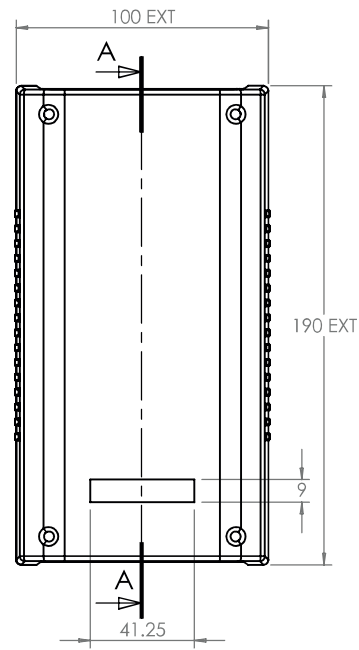
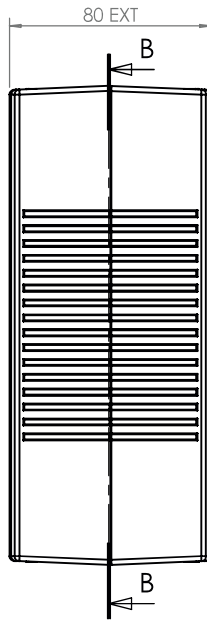
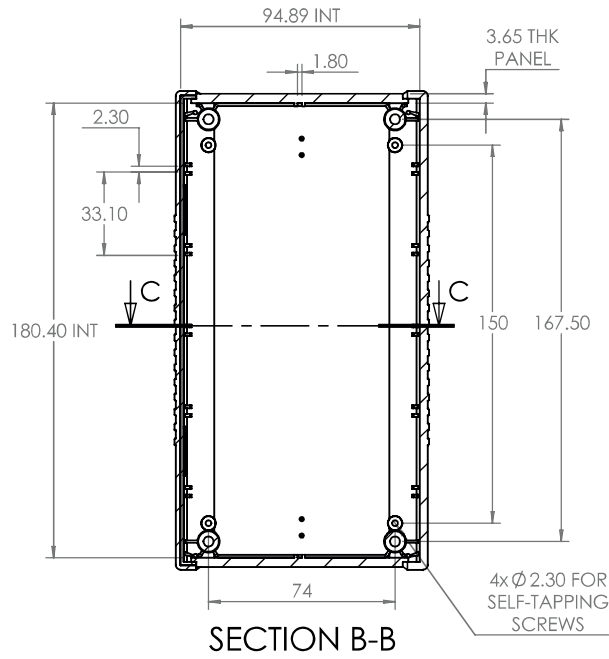
SHEET 1 OF 1



		UNLESS OTHERWISE SPECIFIED: DIMENSIONS ARE IN MILLIMETERS		DO NOT SCALE DRAWING	REVISION. 0
		GENERAL TOLERANCES +/- 0.2		TITLE: GENERAL ASSY DRAWING FOR 3400 SERIES	
		FINISH. TEXTURED		DWG NO. 3400-22	
DRAWN	NAME	SIGNED	DATE	MATERIAL. UL94-VO	A4
CHK'D	-	-	-	PROJECTION.	SCALE: 1 : 3 SHEET 1 OF 1



				UNLESS OTHERWISE SPECIFIED: DIMENSIONS ARE IN MILLIMETERS		DO NOT SCALE DRAWING		REVISION: 0		
				GENERAL TOLERANCES +/- 0.2		TITLE: GENERAL ASSY DRAWING FOR 3400 SERIES				
				FINISH: TEXTURED		MATERIAL: ABS		DWG NO. 3400-59		A4
DRAWN	JAMIE JACOBS	SIGNED	JNJ	DATE	08/11/12	PROJECTION:		SCALE: 1 : 3		SHEET 1 OF 1



		UNLESS OTHERWISE SPECIFIED: DIMENSIONS ARE IN MILLIMETERS		DO NOT SCALE DRAWING	REVISION. 0
		GENERAL TOLERANCES +/- 0.2		TITLE: GENERAL ASSY DRAWING FOR 3400 SERIES	
		FINISH. TEXTURED		MATERIAL. UL94-V0	
DRAWN	NAME JAMIE JACOBS	SIGNED JNJ	DATE 08/11/12	DWG NO.	3400-25
CHK'D	-	-	-	PROJECTION.	SCALE: 1 : 3
				SHEET 1 OF 1	

A4