

POTTING BOXES

200 Series Potting Boxes With Lid - UL94-HB

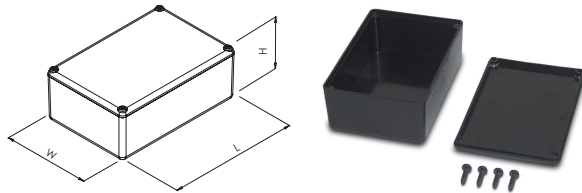
Extensive range of ABS potting boxes for partial or complete potting of electrical components. Supplied with lid.

- Encapsulate and protect electronic components
- Ideal for partial or complete potting
- Moulded in ABS, UL94-HB
- Lid mounted by 4x fixing screws
- Highly resistant to most chemicals
- High rigidity and impact strength



SPECIFICATION	
Materials	ABS, UL94-HB
Operating temperature	-20°C to +94°C
Standard colours	Black & White
Standard unit colours	Lid & base
	4x screws
	Packs of 5

BLACK	WHITE	LENGTH	WIDTH	HEIGHT
RX2002/S-5		23mm	16mm	11mm
RX2003/S-5		26mm	18mm	13mm
RX2004/S-5		29mm	21mm	14mm
RX2005/S-5	RX2005/S-5-WH	34mm	24mm	16mm
RX2011/S-5		37mm	18mm	13mm
RX2006/S-5	RX2006/S-5-WH	40mm	28mm	18mm
RX2012/S-5		42mm	21mm	15mm
RX2007/S-5	RX2007/S-5-WH	46mm	32mm	20mm
RX2013/S-5		49mm	24mm	16mm
RX2008/S-5	RX2008/S-5-WH	54mm	38mm	23mm
RX2014/S-5		58mm	28mm	18mm
RX2009/S-5	RX2009/S-5-WH	64mm	44mm	25mm
RX2015/S-5		67mm	32mm	20mm
RX2010/S-5	RX2010/S-5-WH	74mm	50mm	28mm



200 Series Potting Boxes With Lid - UL94-V0

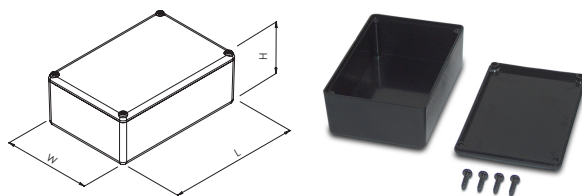
ABS UL94-V0 Small Potting enclosures

- Encapsulate and protect electronic components
- Ideal for partial or complete potting
- Moulded in ABS - UL94-V0
- Lid mounted by 4x fixing screws
- Highly resistant to most chemicals
- High rigidity and impact strength



SPECIFICATION	
Materials	ABS, UL94-V0
Operating temperature	-20°C to +94°C
Standard colours	Black & White
Standard unit colours	Lid & base
	4x screws
	Packs of 5

BLACK	WHITE	LENGTH	WIDTH	HEIGHT
RX2005/S-FB-5	RX2005/S-FB-5-WH	34mm	24mm	16mm
RX2006/S-FB-5	RX2006/S-FB-5-WH	40mm	28mm	18mm
RX2007/S-FB-5	RX2007/S-FB-5-WH	46mm	32mm	20mm
RX2008/S-FB-5	RX2008/S-FB-5-WH	54mm	38mm	23mm
RX2009/S-FB-5	RX2009/S-FB-5-WH	64mm	44mm	25mm
RX2010/S-FB-5	RX2010/S-FB-5-WH	74mm	50mm	28mm



UNIVERSAL ENCLOSURES

HAND HELD CASES

HEAVY DUTY ENCLOSURES

DIN RAIL BOXES

INTERFACE SUPPORTS

CONTROL STATIONS

DIECAST & METAL BOXES

DESKTOP & INSTRUMENT CASES

POTTING BOXES

19" ENCLOSURES

19" CABINETS

DEVELOPMENT BOARDS

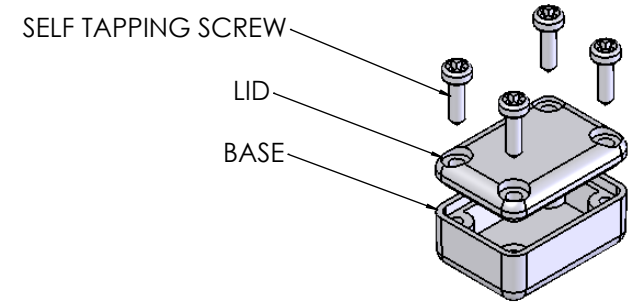
CUSTOM SIZED ENCLOSURES

CUSTOM SERVICES

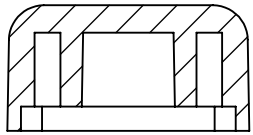
OVERALL ASSEMBLY DIMENSIONS:

EXTERNAL - 22.5 x 16 x 11.3

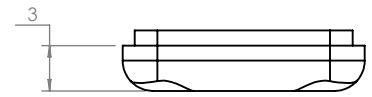
INTERNAL - 19 x 12.5 x 7.3



ISO VIEW
1:1



SECTION B-B



A

A

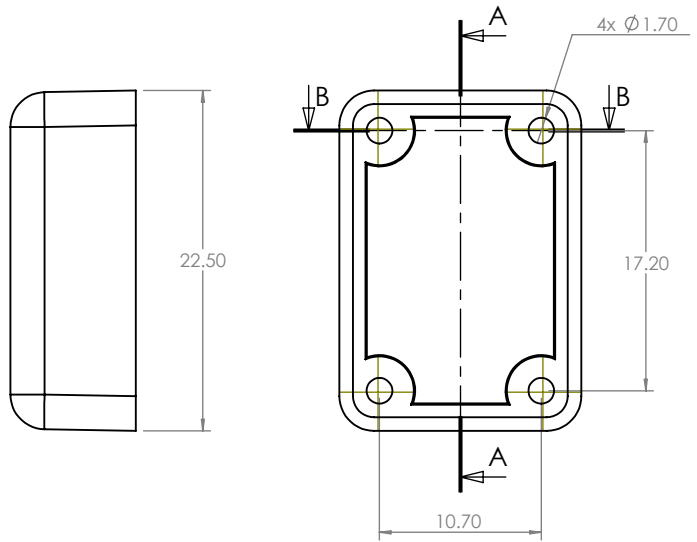
B

B

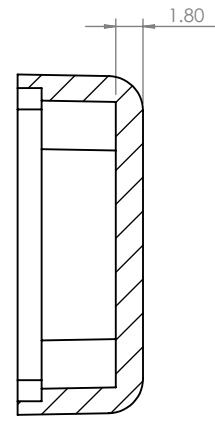
C

C

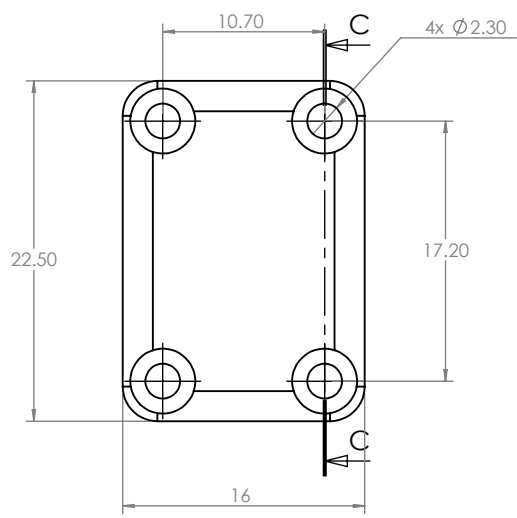
D



BASE

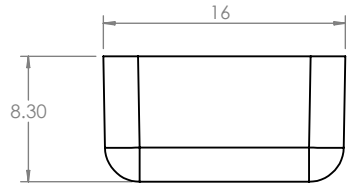


SECTION A-A



SECTION C-C

LID



<p>UNLESS OTHERWISE SPECIFIED: DIMENSIONS ARE IN MILLIMETERS</p>				DO NOT SCALE DRAWING		REVISION. 0	
				TITLE: ASSEMBLY DRG FOR RX2002			
JAMES CARTER RD, MILDENHALL, SUFFOLK, IP28 7DE TEL: 01 638 716101 FAX: 01 638 716554 EMAIL: SALES@CAMDENBOSS.COM WEB: www.CAMDENBOSS.COM				FINISH: LIGHT SPARK		DWG NO. RX2002	
DRAWN S.HARDINGE		SIGNED SJH	DATE 30/11/05	MATERIAL. ABS		SCALE: 2 : 1	
CHKD -		-	-	PROJECTION.		SHEET 1 OF 1	

1

2

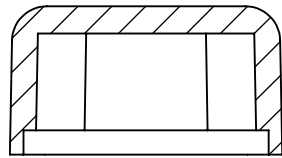
3

A4

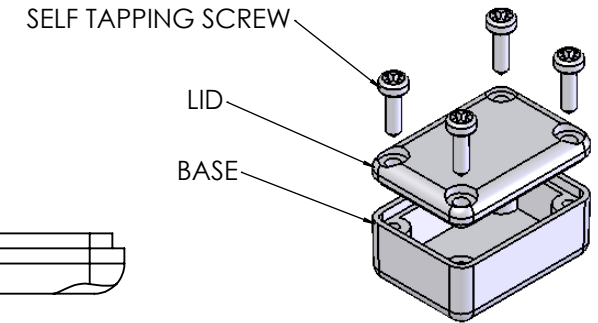
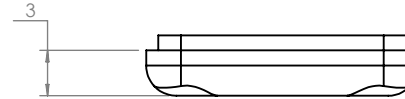
OVERALL ASSEMBLY DIMENSIONS:

EXTERNAL - 25.5 x 18 x 12.8

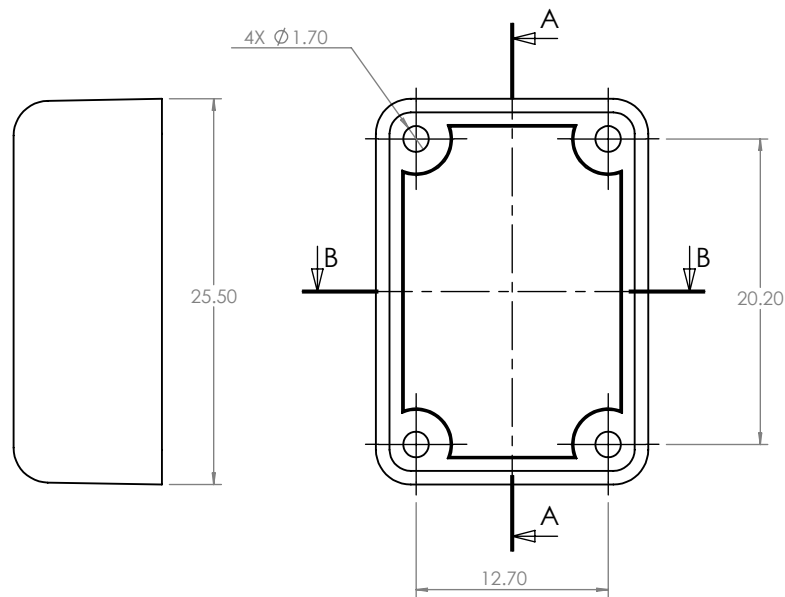
INTERNAL - 22 x 14.5 x 8.8



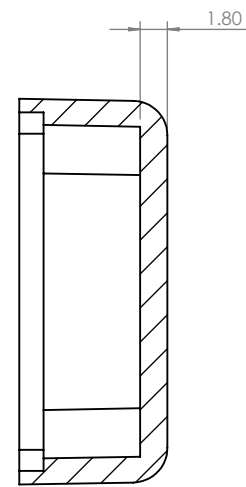
SECTION B-B



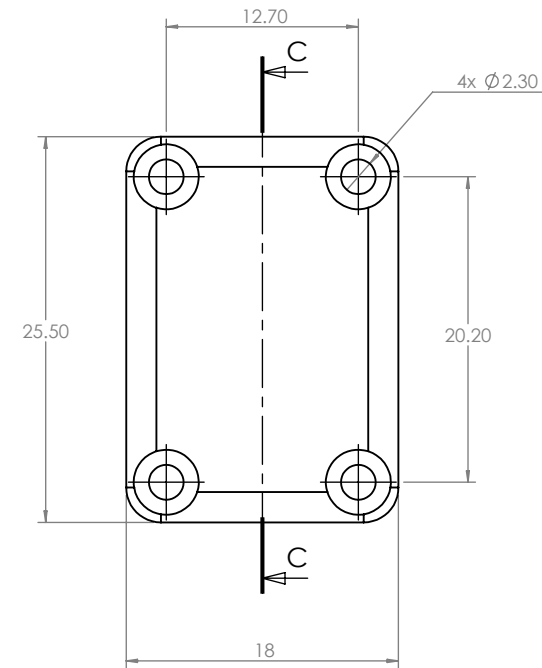
ISO VIEW
1:1



BASE

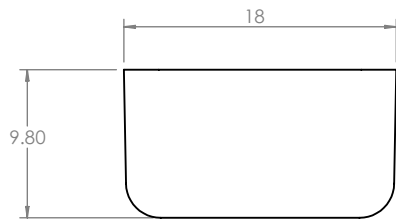


SECTION A-A



SECTION C-C

LID



JAMES CARTER RD, MILDENHALL, SUFFOLK, IP28 7DE
TEL: 01638 716101 FAX: 01638 716554
EMAIL: SALES@CAMDENBOSS.COM
WEB: WWW.CAMDENBOSS.COM

FINISH:
LIGHT SPARK

MATERIAL:
ABS

PROJECTION.

UNLESS OTHERWISE SPECIFIED:
DIMENSIONS ARE IN MILLIMETERS

DO NOT SCALE DRAWING

REVISION. O

TITLE:

ASSEMBLY DRG FOR RX2003

DWG NO.

RX2003

A4

SCALE: 2 : 1

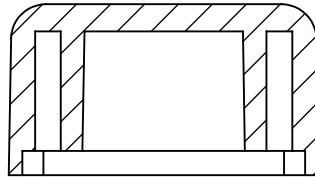
SHEET 1 OF 1

	NAME	SIGNED	DATE
DRAWN	S.HARDINGE	SJH	07/03/07
CHKD	-	-	-

OVERALL ASSEMBLY DIMENSIONS:

EXTERNAL - 29 x 20.5 x 14.3

INTERNAL - 25.5 x 17 x 10.3



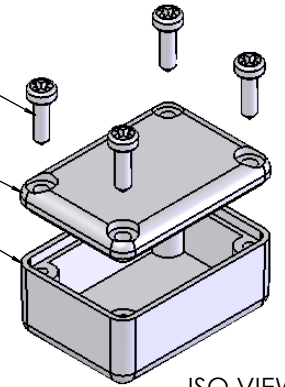
SECTION B-B



SELF TAPPING SCREW

LID

BASE



ISO VIEW
1:1

A

A

B

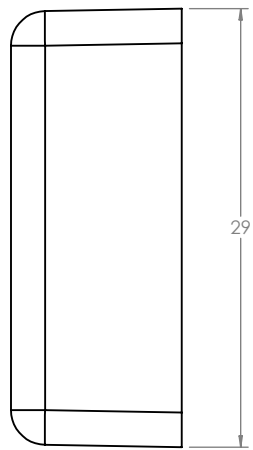
B

C

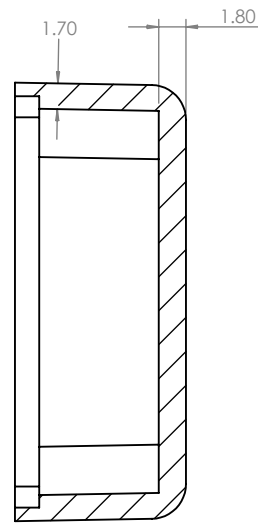
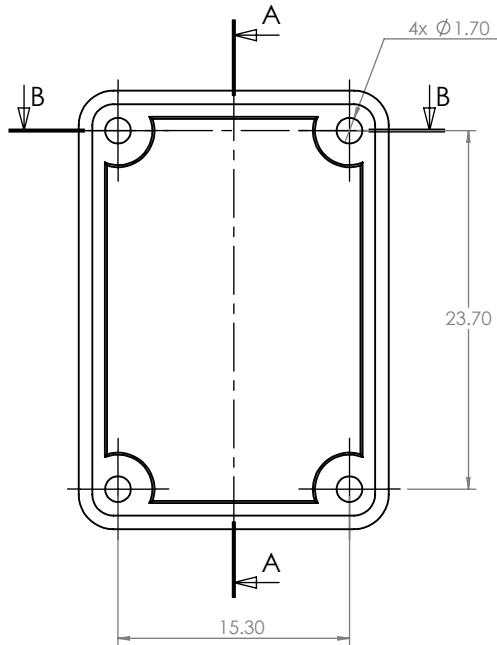
C

D

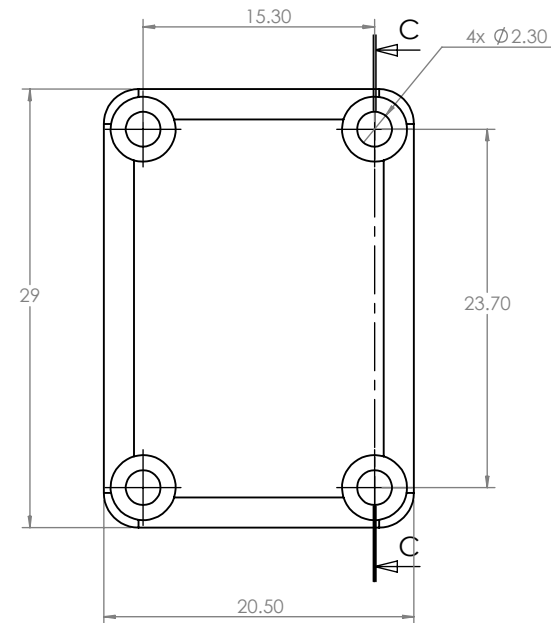
D



BASE

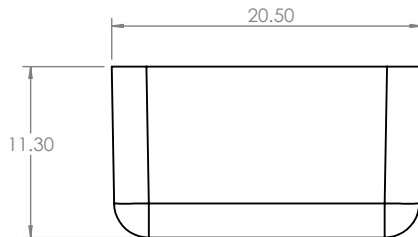


SECTION A-A



SECTION C-C

LID



CAMDENBOSS
ELECTRONICS & ENCLOSURES

JAMES CARTER RD, MILDENHALL, SUFFOLK, IP28 7DE
TEL: 01 638 716101 FAX: 01 638 716554
EMAIL: SALES@CAMDENBOSS.COM
WEB: WWW.CAMDENBOSS.COM

UNLESS OTHERWISE SPECIFIED:
DIMENSIONS ARE IN MILLIMETERS

DO NOT SCALE DRAWING

REVISION. O

FINISH:
LIGHT SPARK

TITLE:

ASSEMBLY DRG FOR RX2004

MATERIAL:
ABS

DWG NO.

RX2004

A4

PROJECTION.

SCALE. 2 : 1

SHEET 1 OF 1

1

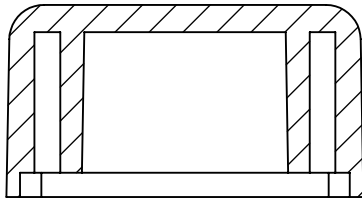
2

3

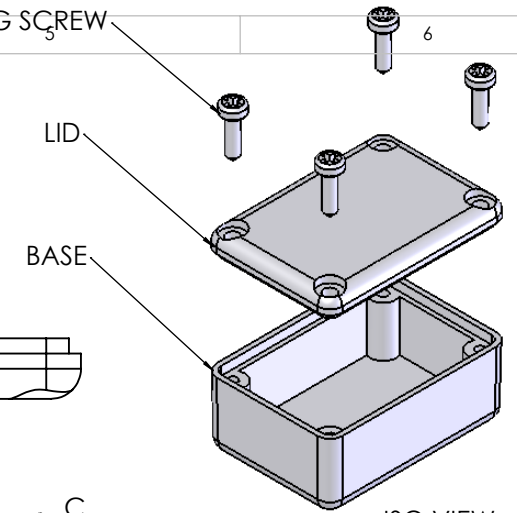
OVERALL ASSEMBLY DIMENSIONS:

EXTERNAL - 33.6 x 23.6 x 15.7

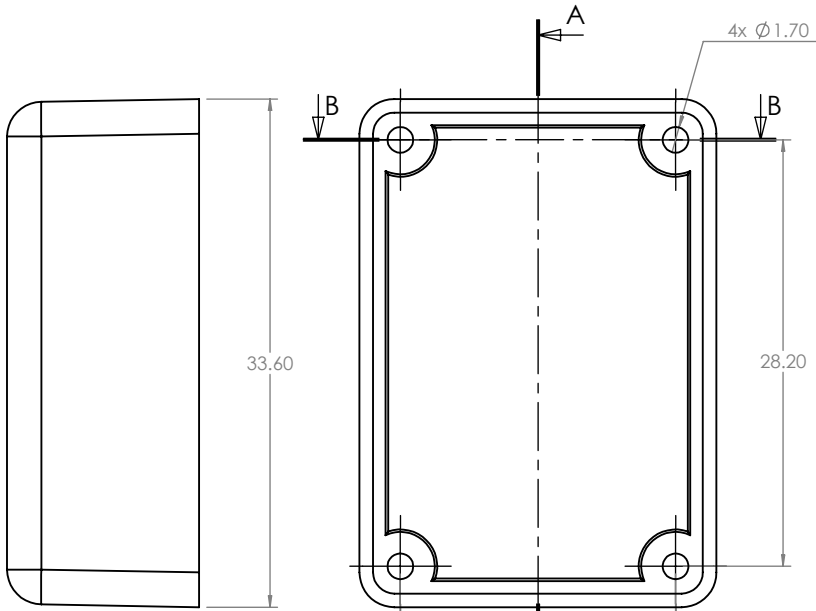
INTERNAL - 30 x 20 x 11.7



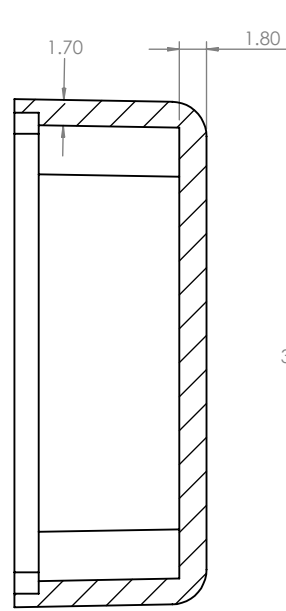
SECTION B-B



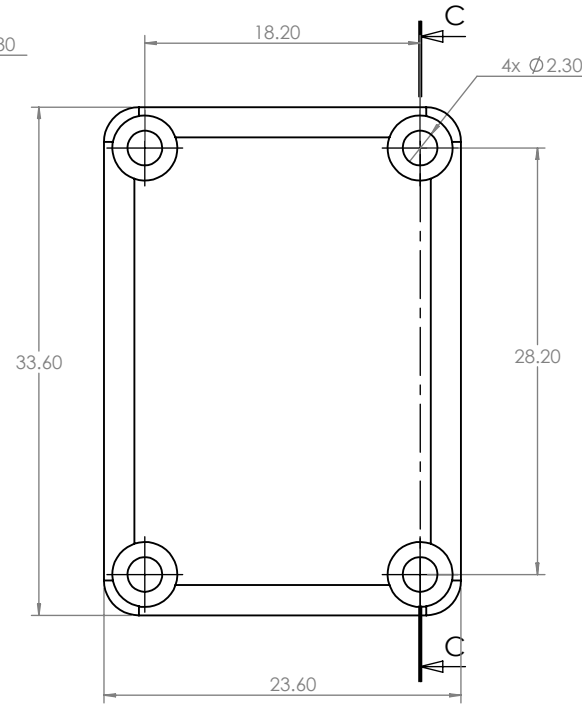
ISO VIEW
1:1



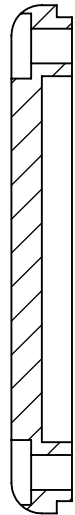
BASE



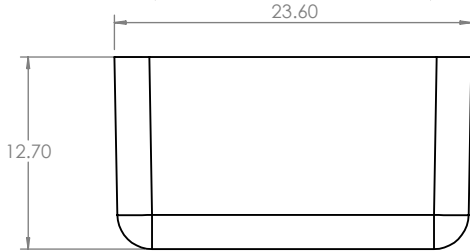
SECTION A-A



SECTION C-C



LID



CAMDENBOSS
ELECTRONICS & ENCLOSURES

JAMES CARTER RD, MILDENHALL, SUFFOLK, IP28 7DE
TEL: 01638 716101 FAX: 01638 716554
EMAIL: SALES@CAMDENBOSS.COM
WEB: WWW.CAMDENBOSS.COM

UNLESS OTHERWISE SPECIFIED:
DIMENSIONS ARE IN MILLIMETERS

DO NOT SCALE DRAWING

REVISION. O

FINISH:
LIGHT SPARK

TITLE:
ASSEMBLY DRG FOR RX2005 BOX

	NAME	SIGNED	DATE
DRAWN	S.HARDINGE	SJH	29/11/05
CHKD	-	-	-

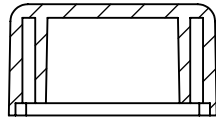
MATERIAL:
ABS
PROJECTION.

DWG NO.	RX2005	A4
SCALE: 2 : 1	SHEET 1 OF 1	

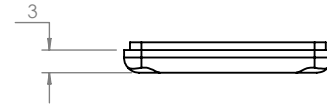
OVERALL ASSEMBLY DIMENSIONS:

EXTERNAL - 39.6 x 27.5 x 17.7

INTERNAL - 36 x 24 x 13.7



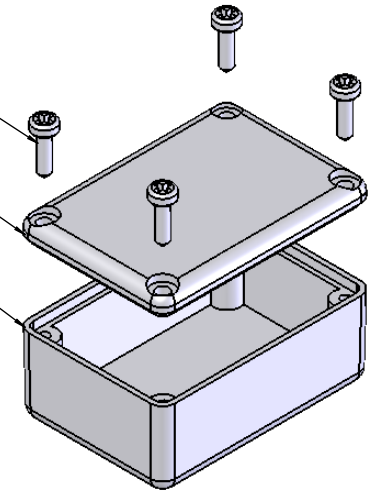
SECTION B-B



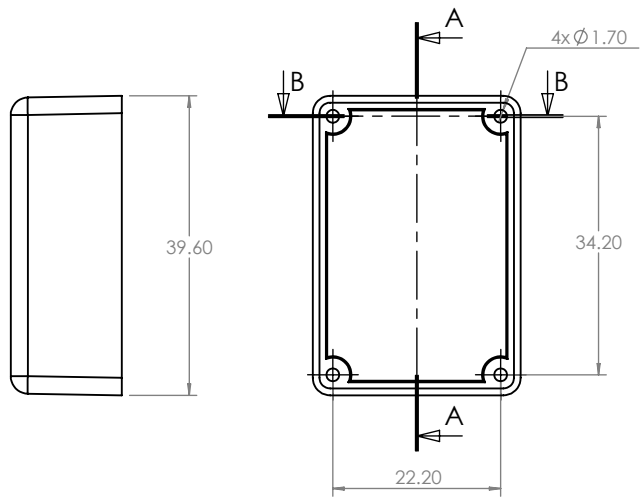
SELF TAPPING SCREW

LID

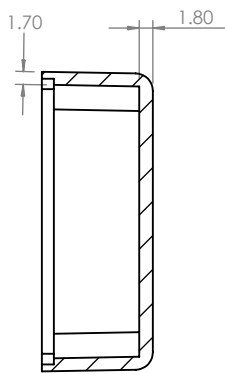
BASE



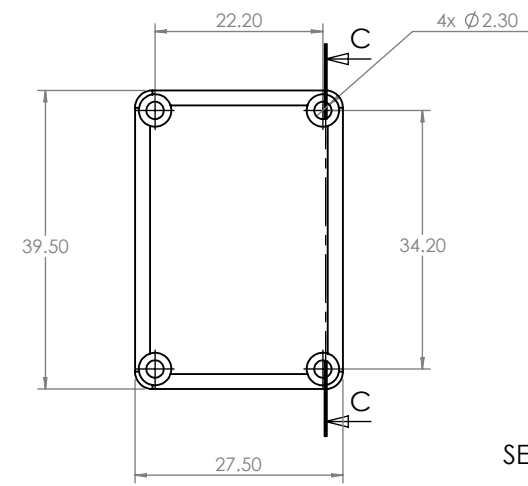
ISO VIEW



BASE

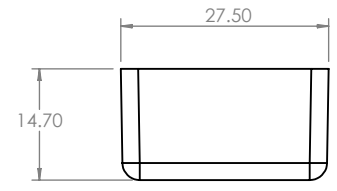


SECTION A-A



SECTION C-C

LID



<p>UNLESS OTHERWISE SPECIFIED: DIMENSIONS ARE IN MILLIMETERS</p>				DO NOT SCALE DRAWING		REVISION. 0	
				TITLE: ASSEMBLY DRG FOR RX2006			
JAMES CARTER RD, MILDENHALL, SUFFOLK. IP28 7DE TEL: 01638 716101 FAX: 01638 716554 EMAIL: SALES@CAMDENBOSS.COM WEB: WWW.CAMDENBOSS.COM				FINISH. LIGHT SPARK		DWG NO. RX2006	
DRAWN S.HARDINGE		SIGNED SJH	DATE 29/11/05	MATERIAL. ABS		SCALE. 1 : 1	
CHKD -		-	-	PROJECTION.		SHEET 1 OF 1	

1

2

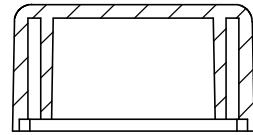
3

A4

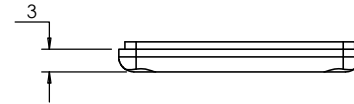
OVERALL ASSEMBLY DIMENSIONS:

EXTERNAL - 46 x 32 x 19.75

INTERNAL - 42.5 x 28.5 x 15.75



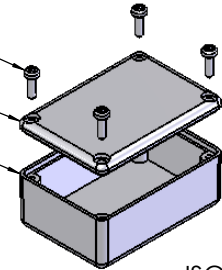
SECTION B-B



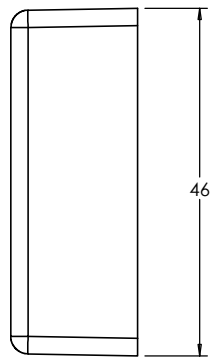
SELF TAPPING SCREW

LID

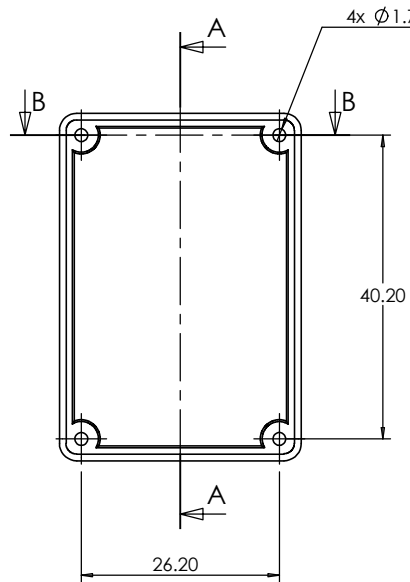
BASE



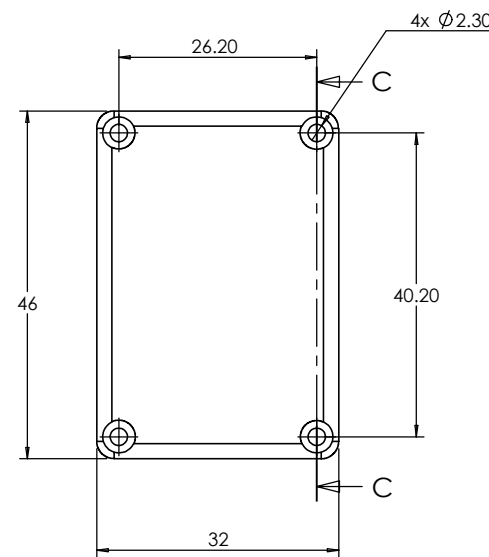
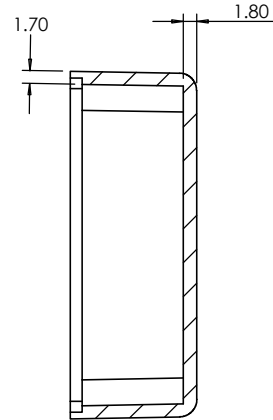
ISO VIEW
1:2



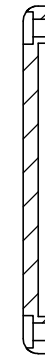
BASE



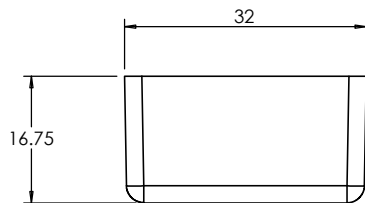
SECTION A-A



SECTION C-C



LID



<p>JAMES CARTER RD, MILDENHALL, SUFFOLK. IP28 7DE TEL: 01638 716101 FAX: 01638 716554 EMAIL: Sales@CamdenBoss.com WEB: www.CamdenBoss.com</p>				UNLESS OTHERWISE SPECIFIED: DIMENSIONS ARE IN MILLIMETERS		DO NOT SCALE DRAWING		REVISION. 0		
				FINISH. LIGHT SPARK		TITLE: ASSEMBLY DRG FOR RX2007				
DRAWN S.HARDINGE		SIGNED SJH		DATE 28/11/05		MATERIAL. ABS		DWG NO. RX2007		A4
CHK'D -		-		-		PROJECTION. 		SCALE. 1:1		SHEET 1 OF 1

OVERALL ASSEMBLY DIMENSIONS:

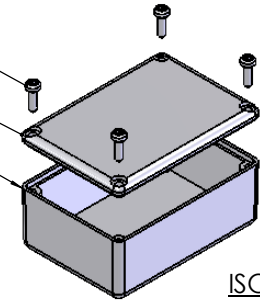
EXTERNAL - 53.5 x 37.5 x 22.7

INTERNAL - 50 x 34 x 18.7

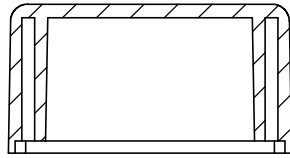
SELF TAPPING SCREW

LID

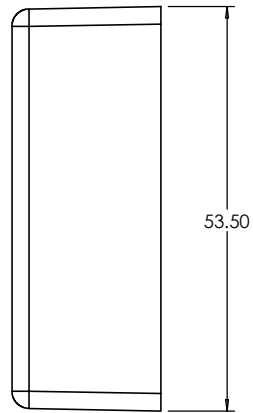
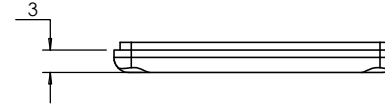
BASE



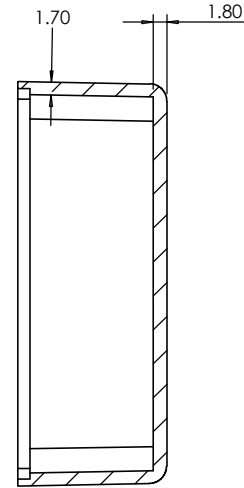
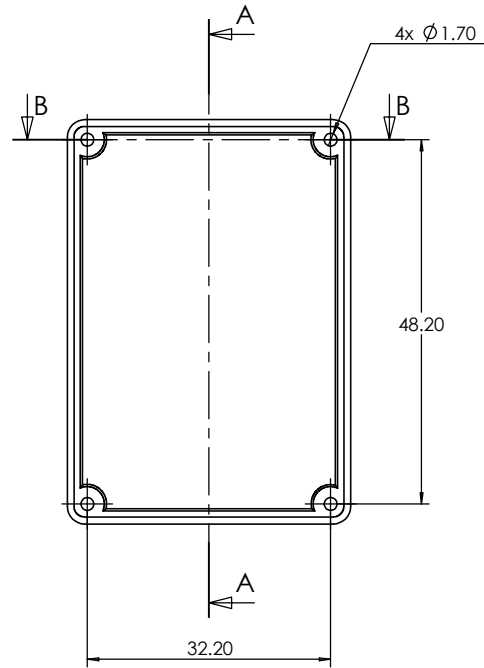
ISO VIEW
1:2



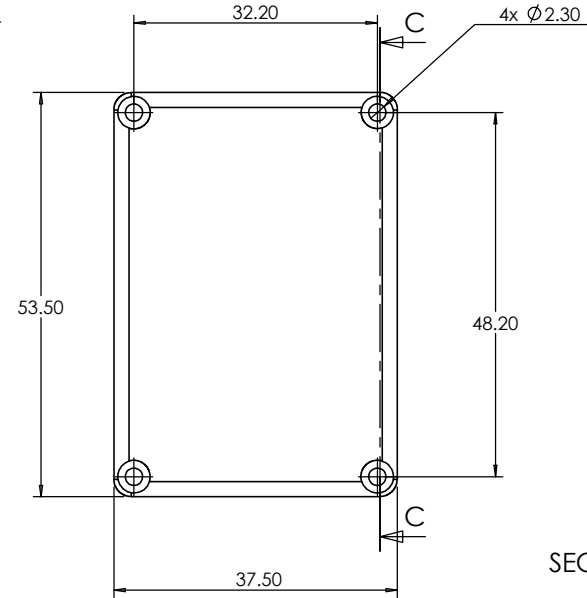
SECTION B-B



BASE

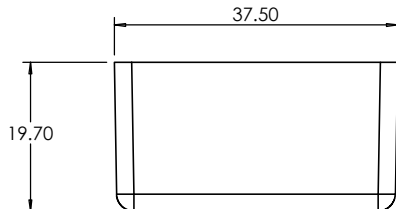


SECTION A-A



SECTION C-C

LID

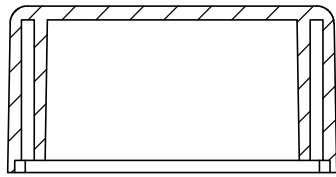


<p>JAMES CARTER RD, MILDENHALL, SUFFOLK. IP28 7DE TEL: 01638 716101 FAX: 01638 716554 EMAIL: Sales@CamdenBoss.com WEB: www.CamdenBoss.com</p>				UNLESS OTHERWISE SPECIFIED: DIMENSIONS ARE IN MILLIMETERS		DO NOT SCALE DRAWING		REVISION. 0		
				FINISH. LIGHT SPARK		TITLE: ASSEMBLY DRG FOR RX2008				
DRAWN S.HARDINGE		SIGNED SJH		DATE 28/11/05		MATERIAL. ABS		DWG NO. RX2008		A4
CHK'D -		-		-		PROJECTION.		SCALE. 1 : 1		SHEET 1 OF 1

OVERALL ASSEMBLY DIMENSIONS:

EXTERNAL - 63.5 x 43.5 x 25

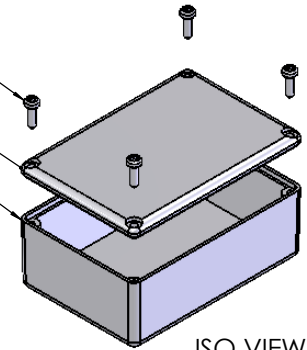
INTERNAL - 60 x 40 x 21



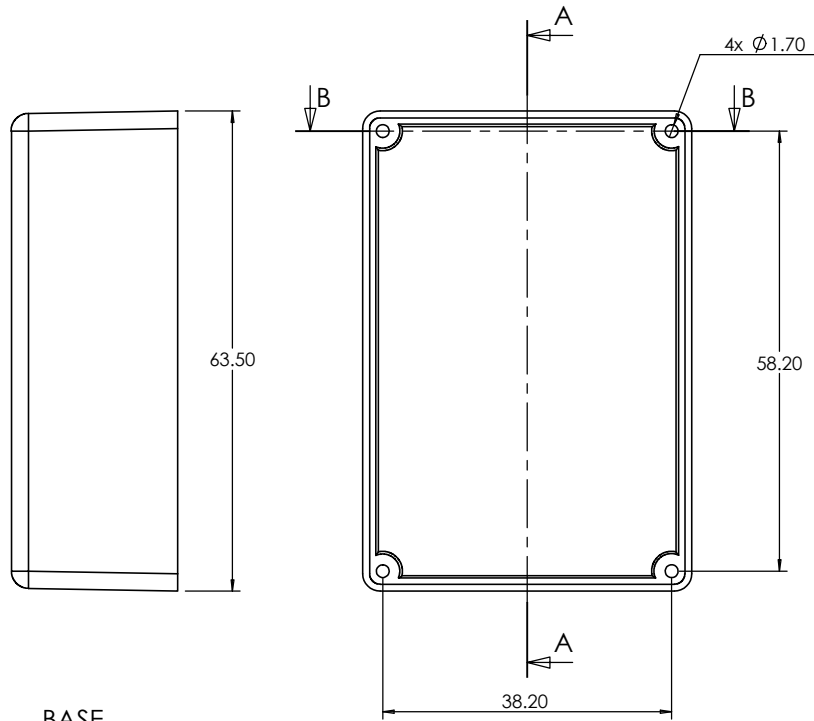
SECTION B-B

SELF TAPPING SCREWS

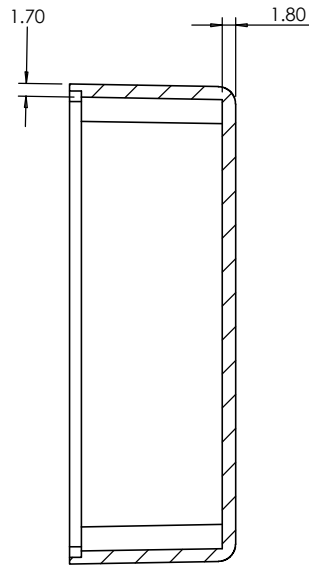
LID
BASE



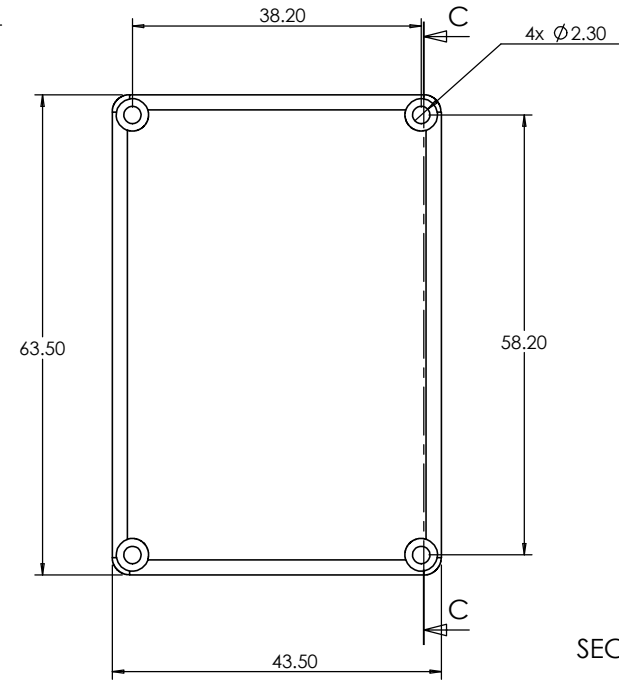
ISO VIEW
1:2



BASE

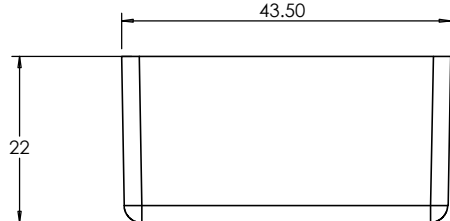


SECTION A-A



SECTION C-C

LID

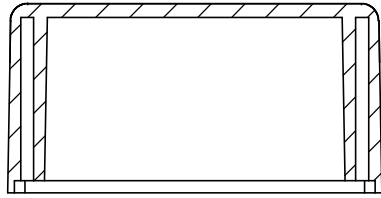


		UNLESS OTHERWISE SPECIFIED: DIMENSIONS ARE IN MILLIMETERS		DO NOT SCALE DRAWING	REVISION: 0	
		JAMES CARTER RD, MILDENHALL, SUFFOLK. IP28 7DE TEL: 01638 716101 FAX: 01638 716554 EMAIL: Sales@CamdenBoss.com WEB: www.CamdenBoss.com		TITLE: ASSEMBLY DRG FOR RX2009		
DRAWN S.HARDINGE		SIGNED SJH	DATE 21/11/05	MATERIAL. ABS	DWG NO. RX2009	A4
CHK'D -		-	-	PROJECTION.	SCALE: 1 : 1	SHEET 1 OF 1

OVERALL ASSEMBLY DIMENSIONS:

EXTERNAL - 73.5 x 49.5 x 28

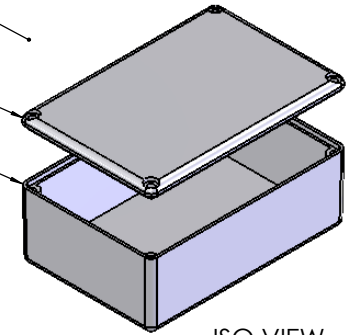
INTERNAL - 70 x 46 x 24



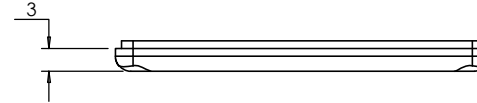
SELF TAPPING SCREWS

LID

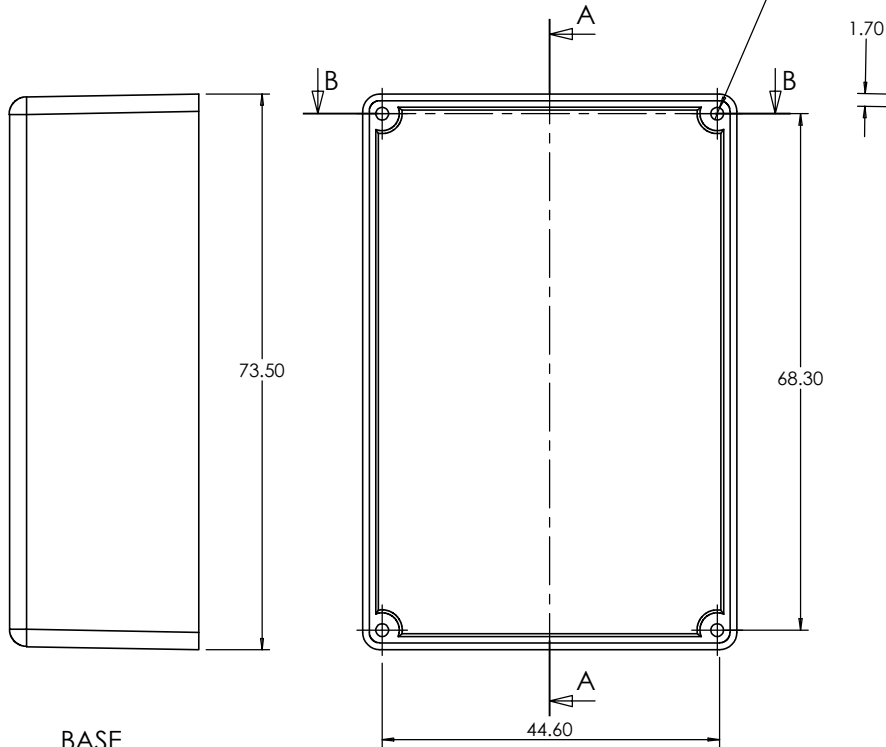
BASE



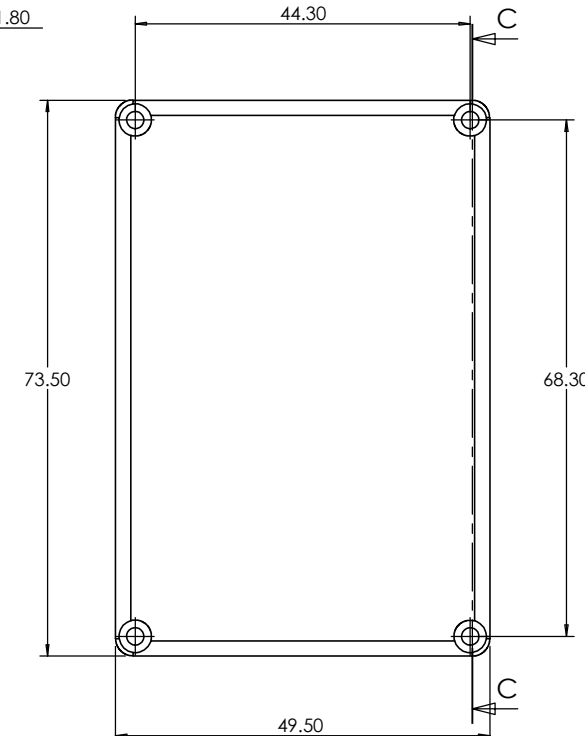
ISO VIEW
1:2



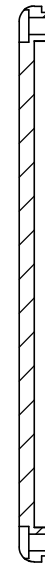
SECTION B-B



SECTION A-A

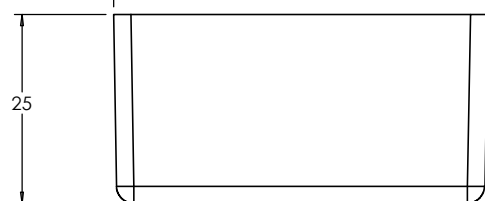


SECTION C-C



LID

BASE

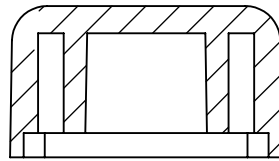


<p>JAMES CARTER RD, MILDENHALL, SUFFOLK. IP28 7DE TEL: 01638 716101 FAX: 01638 716554 EMAIL: Sales@CamdenBoss.com WEB: www.CamdenBoss.com</p>				UNLESS OTHERWISE SPECIFIED: DIMENSIONS ARE IN MILLIMETERS		DO NOT SCALE DRAWING		REVISION. 0		
				FINISH. LIGHT SPARK		TITLE: ASSEMBLY DRG FOR RX2010				
DRAWN S.HARDINGE		SIGNED SJH		DATE 28/11/05		MATERIAL. ABS		DWG NO. RX2010		A4
CHK'D -		-		-		PROJECTION.		SCALE. 1:1		SHEET 1 OF 1

OVERALL ASSEMBLY DIMENSIONS:

EXTRENAL - 36.5 x 18 x 13

INTERNAL - 33 x 15 x 9



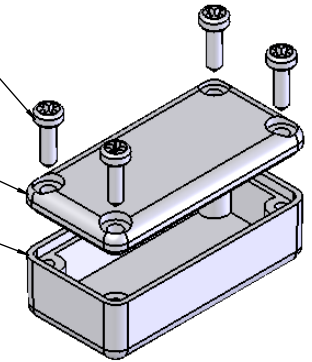
SECTION B-B



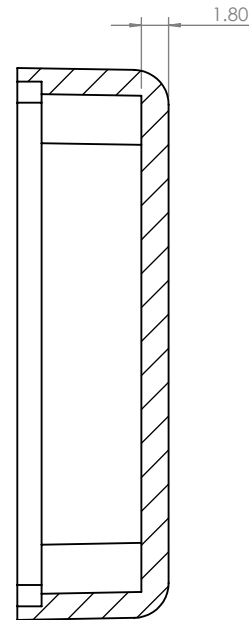
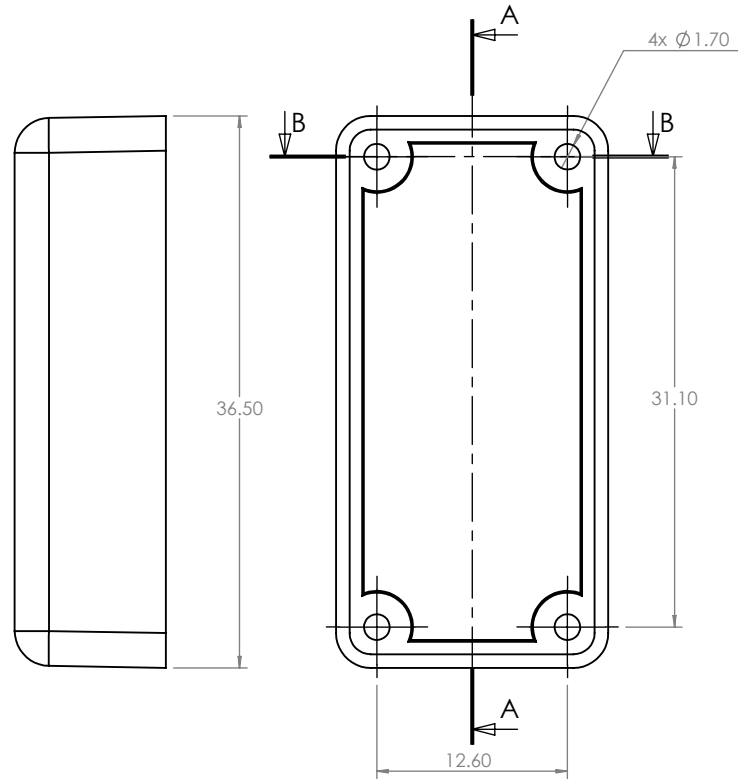
SELF TAPPING SCREW

LID

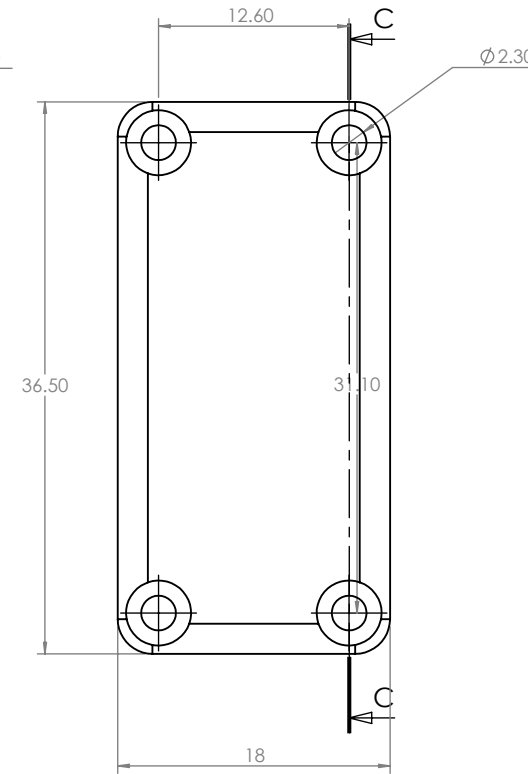
BASE



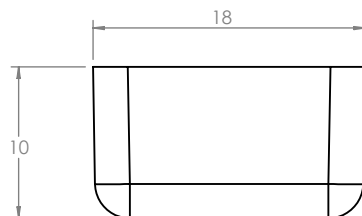
ISO VIEW
1:1



SECTION A-A



SECTION C-C



CAMDENBOSS
ELECTRONICS & ENCLOSURES

JAMES CARTER RD, MILDENHALL, SUFFOLK, IP28 7DE
TEL: 01638 716101 FAX: 01638 716554
EMAIL: SALES@CAMDENBOSS.COM
WEB: WWW.CAMDENBOSS.COM

UNLESS OTHERWISE SPECIFIED:
DIMENSIONS ARE IN MILLIMETERS

FINISH:
LIGHT SPARK

MATERIAL:
ABS

PROJECTION:

DO NOT SCALE DRAWING

REVISION: 0

TITLE:

ASSEMBLY DRG FOR RX2KL03

DWG NO.

RX2011

A4

SCALE: 2 : 1

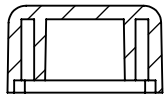
SHEET 1 OF 1

	NAME	SIGNED	DATE
DRAWN	S.HARDINGE	SJH	07/03/07
CHKD	-	-	-

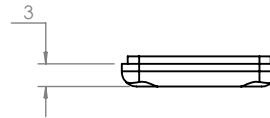
OVERALL ASSEMBLY DIMENSIONS:

EXTERNAL - 41.75 x 20.5 x 14.5

INTERNAL - 38.25 x 17 x 8.8



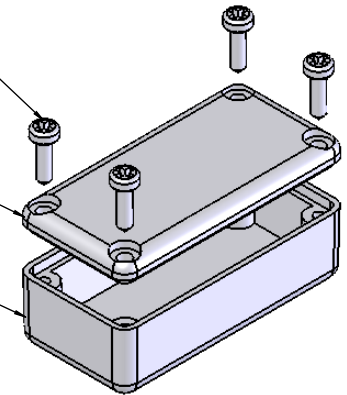
SECTION B-B



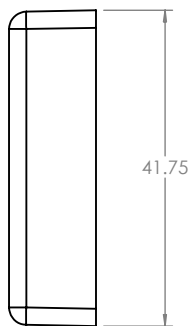
SELF TAPPING SCREW

LID

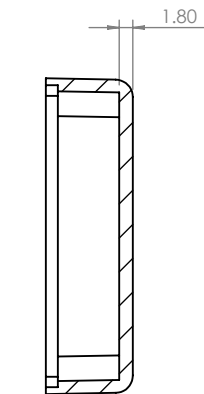
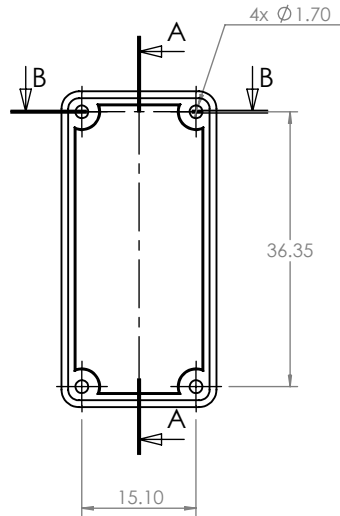
BASE



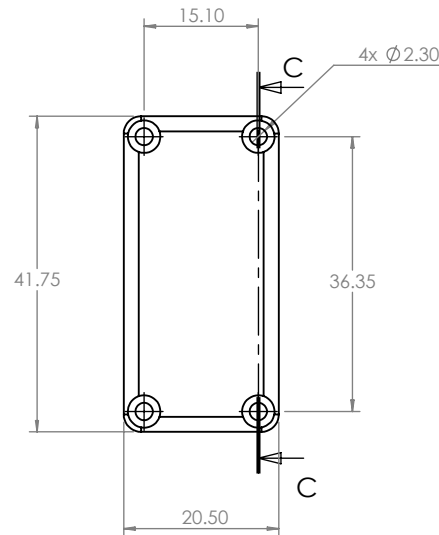
ISO VIEW
1:1



BASE

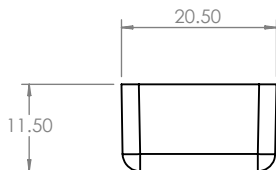


SECTION A-A



SECTION C-C

LID



		UNLESS OTHERWISE SPECIFIED: DIMENSIONS ARE IN MILLIMETERS		DO NOT SCALE DRAWING	REVISION. 0
		FINISH. LIGHT SPARK		TITLE: ASSEMBLY DRG FOR RX2KL04	
JAMES CARTER RD, MILDENHALL, SUFFOLK. IP28 7DE TEL: 01638 716101 FAX: 01638 716554 EMAIL: SALES@CAMDENBOSS.COM WEB: www.CAMDENBOSS.COM		MATERIAL. ABS	DWG NO. RX2012	A4	
DRAWN S.HARDINGE	SIGNED SJH	DATE 12/03/07	PROJECTION. 	SCALE. 1 : 1	SHEET 1 OF 1

OVERALL ASSEMBLY DIMENSIONS:

EXTERNAL - 48.5 x 23.5 x 16.25

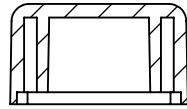
INTERNAL - 45 x 20 x 11.25

SELF TAPPING SCREW

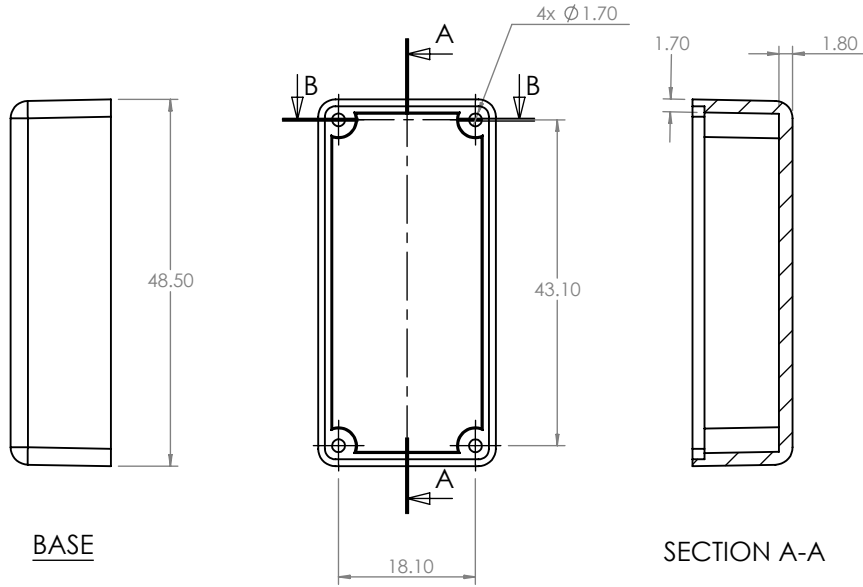
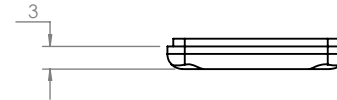
LID

BASE

ISO VIEW
1:2

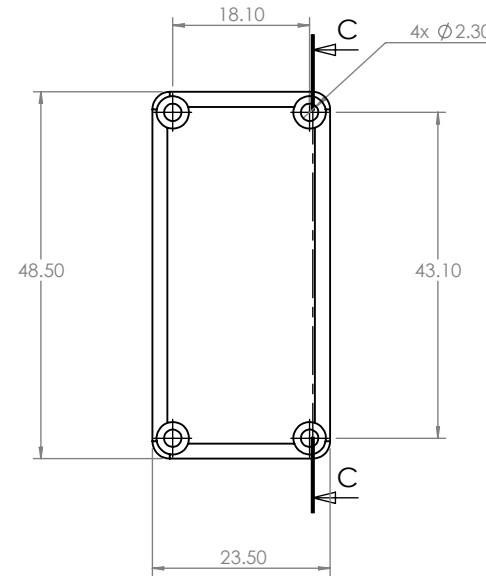


SECTION B-B



BASE

SECTION A-A



LID

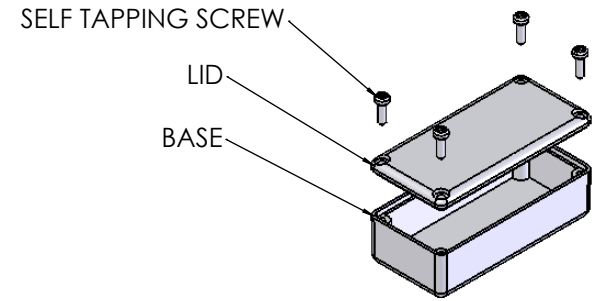
SECTION C-C

				UNLESS OTHERWISE SPECIFIED: DIMENSIONS ARE IN MILLIMETERS		DO NOT SCALE DRAWING	REVISION. 0
				FINISH. LIGHT SPARK		TITLE: ASSEMBLY DRG FOR RX2KL05	
JAMES CARTER RD, MILDENHALL, SUFFOLK. IP28 7DE TEL: 01 638 716101 FAX: 01 638 716554 EMAIL: SALES@CAMDENBOSS.COM WEB: www.CAMDENBOSS.COM				MATERIAL. ABS		DWG NO. RX2013	A4
DRAWN	S.HARDINGE	SJH	12/03/07	PROJECTION.		SCALE. 1 : 1	SHEET 1 OF 1
CHKD	-	-	-				

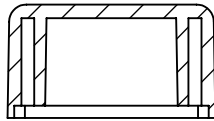
OVERALL ASSEMBLY DIMENSIONS:

EXTERNAL - 57.5 x 27.5 x 18

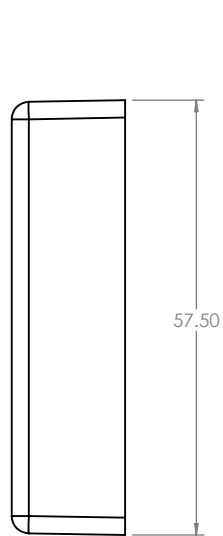
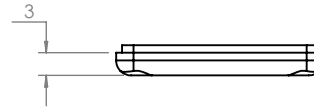
INTERNAL - 54 x 24 x 14



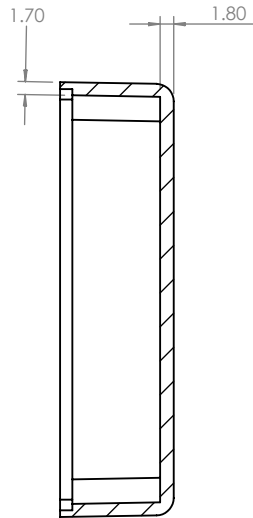
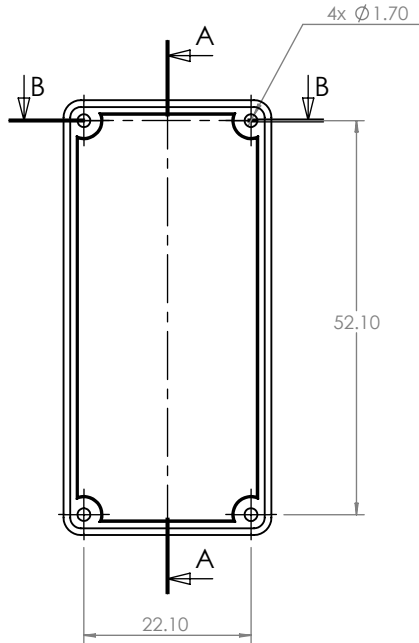
ISO VIEW
1:2



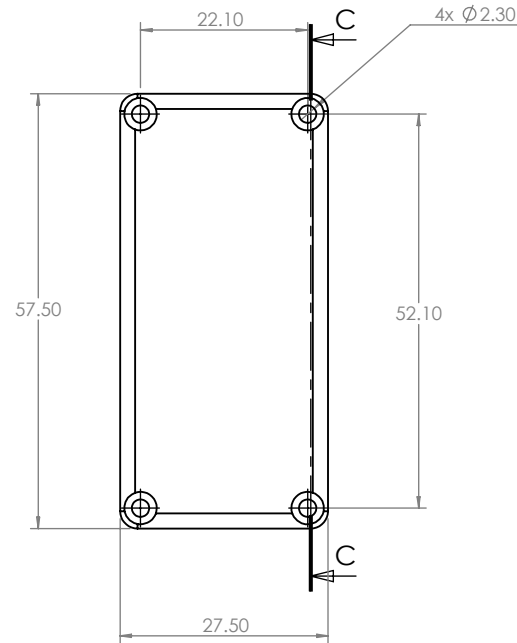
SECTION B-B



BASE

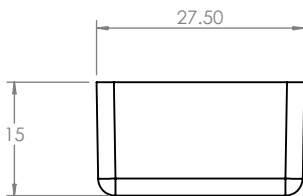


SECTION A-A



LID

SECTION C-C



JAMES CARTER RD, MILDENHALL, SUFFOLK, IP28 7DE
TEL: 01 638 716101 FAX: 01 638 716554
EMAIL: SALES@CAMDENBOSS.COM
WEB: WWW.CAMDENBOSS.COM

UNLESS OTHERWISE SPECIFIED:
DIMENSIONS ARE IN MILLIMETERS

FINISH:
LIGHT SPARK

MATERIAL:
ABS

PROJECTION.

DO NOT SCALE DRAWING

REVISION. 0

TITLE:

ASSEMBLY DRG FOR RX2KL06

DWG NO.

RX2014

A4

SCALE. 1 : 1

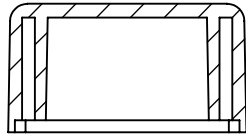
SHEET 1 OF 1

	NAME	SIGNED	DATE
DRAWN	S.HARDINGE	SJH	14/03/07
CHKD	-	-	-

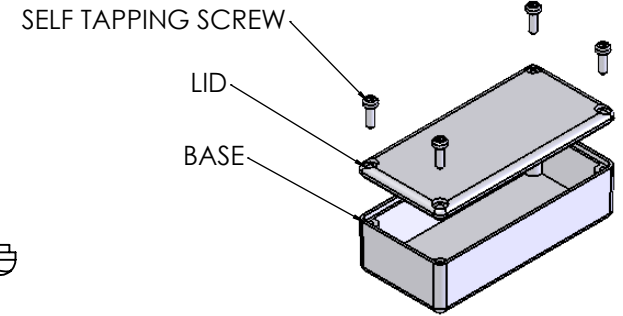
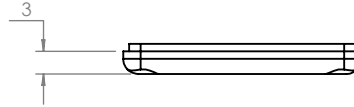
OVERALL ASSEMBLY DIMENSIONS:

EXTERNAL - 66.5 x 31.5 x 20

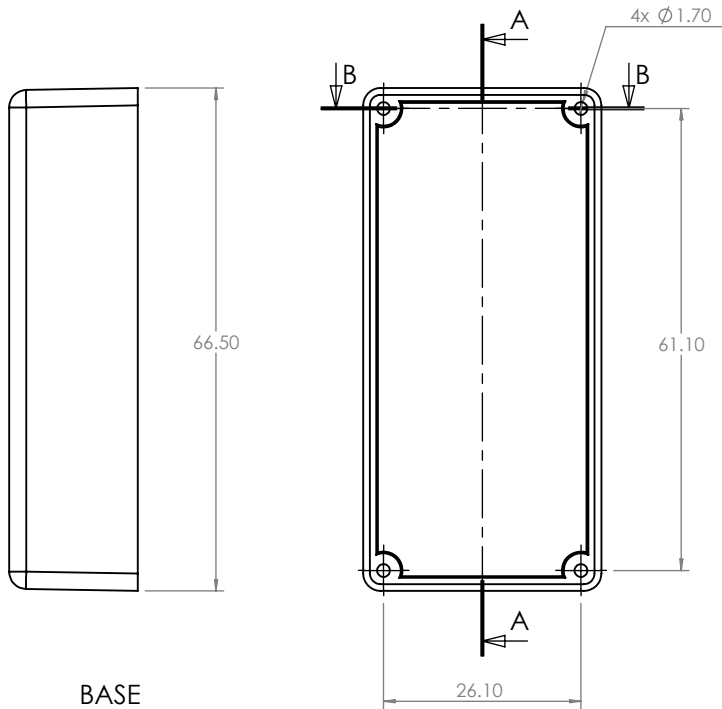
INTERNAL - 63 x 28 x 16



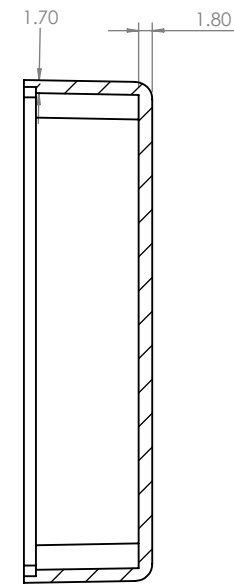
SECTION B-B



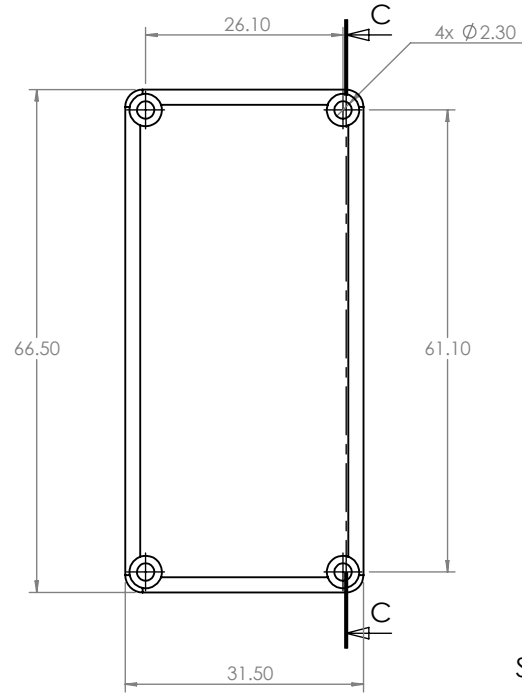
ISO VIEW
1:2



BASE

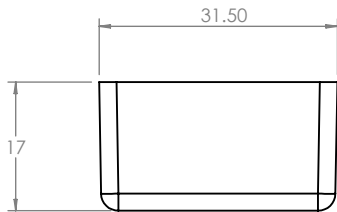


SECTION A-A



LID

SECTION C-C



CAMDENBOSS
ELECTRONICS & ENCLOSURES

JAMES CARTER RD, MILDENHALL, SUFFOLK, IP28 7DE
TEL: 01638 716101 FAX: 01638 716554
EMAIL: SALES@CAMDENBOSS.COM
WEB: WWW.CAMDENBOSS.COM

UNLESS OTHERWISE SPECIFIED:
DIMENSIONS ARE IN MILLIMETERS

FINISH:
LIGHT SPARK

MATERIAL:
ABS

PROJECTION.

DO NOT SCALE DRAWING

REVISION. 0

TITLE:

ASSEMBLY DRG FOR RX2KL07

DWG NO.

RX2015

A4

SCALE. 1 : 1

SHEET 1 OF 1

	NAME	SIGNED	DATE
DRAWN	S.HARDINGE	SJH	15/03/07
CHKD	-	-	-