

# HAND HELD CASES

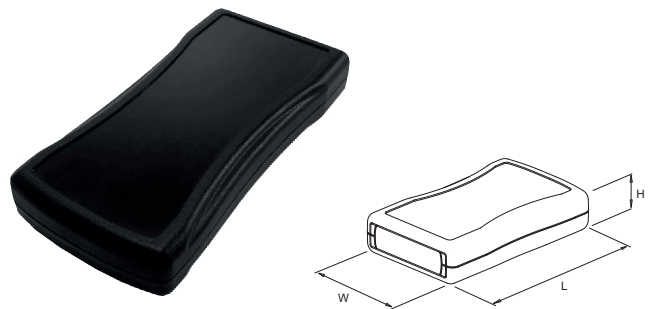
## 45 Series Palm Cases

Ergonomically designed range of hand-held enclosures, with battery compartment and rubber boot options.

- Moulded in UL94-5VA Flame Retardant ABS
- Lid mounted by four self-tapping screws
- Removable end panel for ease of access and ideal for machining
- ABS end panel version as standard, infra-red end panel version to order
- Sliding battery compartment lid options for AA or 9V PP3 batteries (contacts/strap included)
- Plain / no battery compartment version available to order
- Textured lid versions for consistent all over surface finish
- Smooth recess lid version for membrane keypads or overlays
- PCB pillars moulded in lid and base, screws available to order
- Recess in base for product labels

### SPECIFICATION

<b>Material</b>	Lid, base and end-panel in UL94-5VA ABS
<b>Operating Temperature</b>	Resistant to temperatures of up to 85°C
<b>Protection class</b>	IP54
<b>Standard colours</b>	Black as standard Ivory to order
<b>Standard unit includes</b>	Lid, base, end-panel & battery-lid 4x self-tapping screws Battery contacts/strap (+foam pad with 9V)
<b>Options</b>	Rubber boot



### AA Battery Compartment

TEXTURED LID	RECESSED LID**	SIZE	LENGTH	WIDTH	HEIGHT
CHH451ABK	CHH456ABK	1	117.5mm	72.5mm	25.5mm
CHH452ABK	CHH457ABK	2	139.5mm	82.5mm	26mm
CHH453ABK	CHH458ABK	3	165mm	82.5mm	26mm

\*\* RECESSED LID: For applications with membrane keyboards



### 9V PP3 Battery Compartment

TEXTURED LID	RECESSED LID**	SIZE	LENGTH	WIDTH	HEIGHT
CHH451PBK	CHH456PBK	1	117.5mm	72.5mm	25.5mm
CHH452PBK	CHH457PBK	2	139.5mm	82.5mm	26mm
CHH453PBK	CHH458PBK	3	165mm	82.5mm	26mm

\*\* RECESSED LID: For applications with membrane keyboards

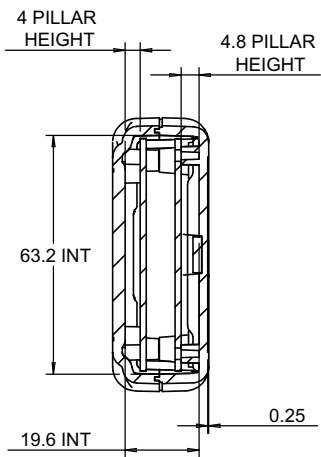


### Rubber Boot

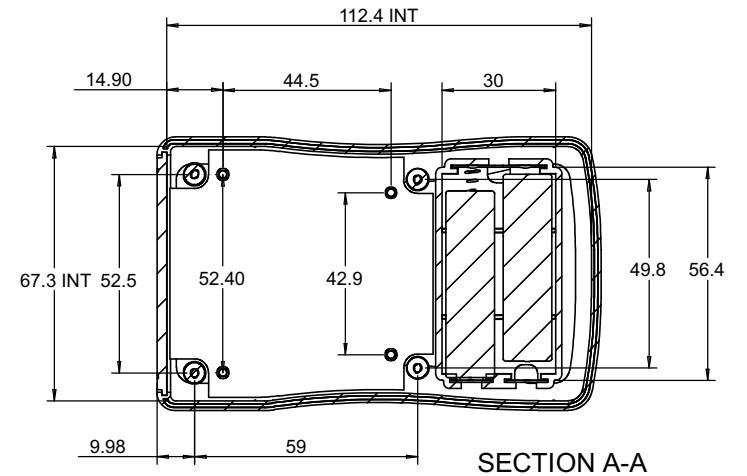
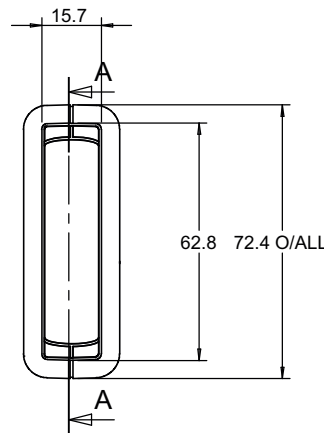
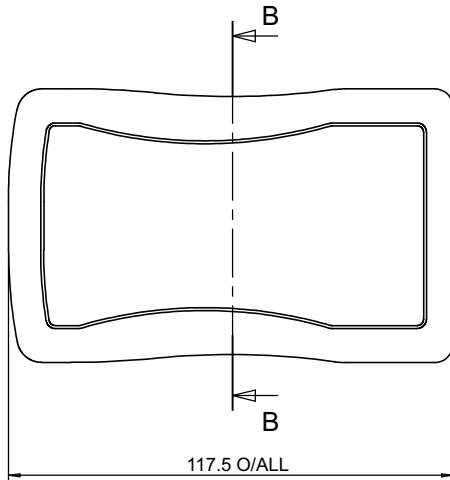
- Flexible open faced removable silicon rubber boot
- Fits tightly over base, sides and around edges of lid
- Belt strap incorporated into back, covers battery compartment
- Suitable for any battery compartment, with textured or recessed lid
- Available in all three sizes, in three colours

BLACK	RED	BLUE	SIZE
CHH451BBK	CHH451BRD	CHH451BBL	1
CHH452BBK	CHH452BRD	CHH452BBL	2
CHH453BBK	CHH453BRD	CHH453BBL	3

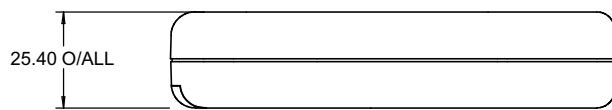




SECTION B-B



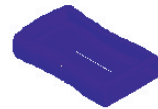
SECTION A-A



RUBBER BOOT (OPTIONAL)



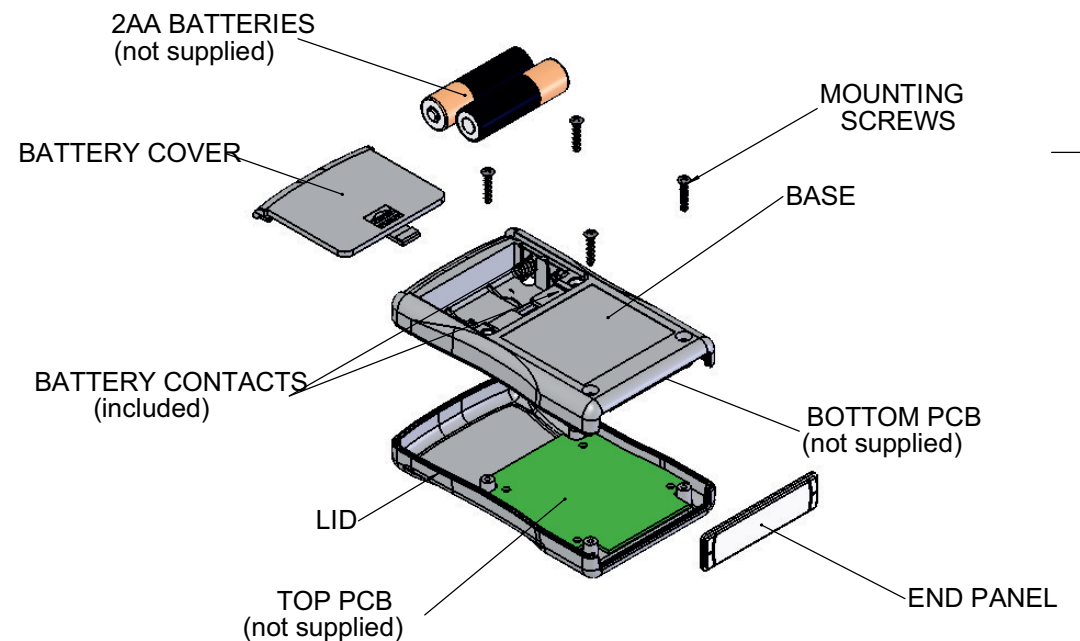
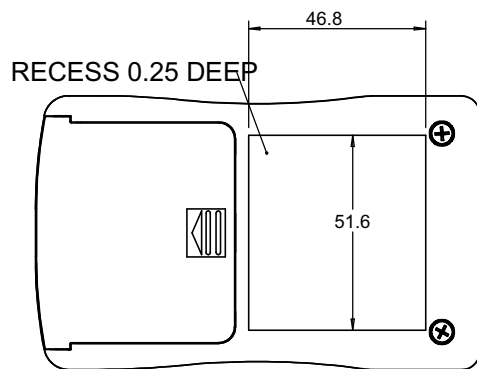
CHH451BBK



CHH451BBL

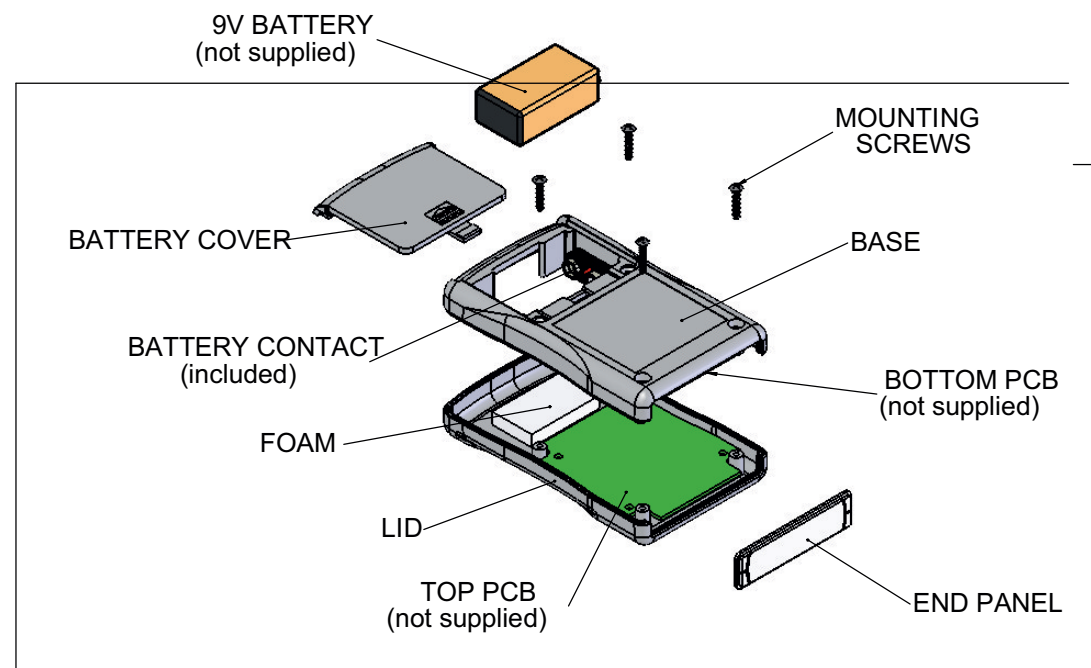
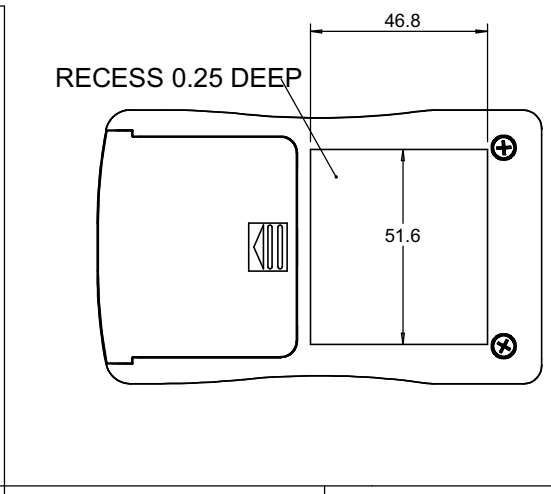
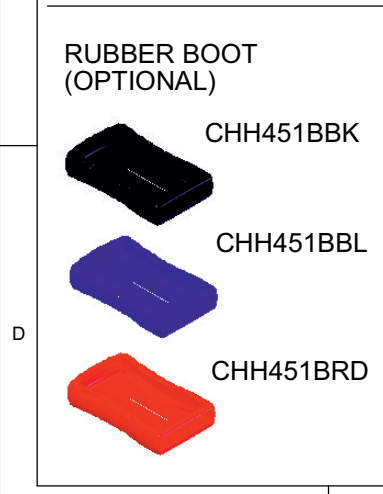
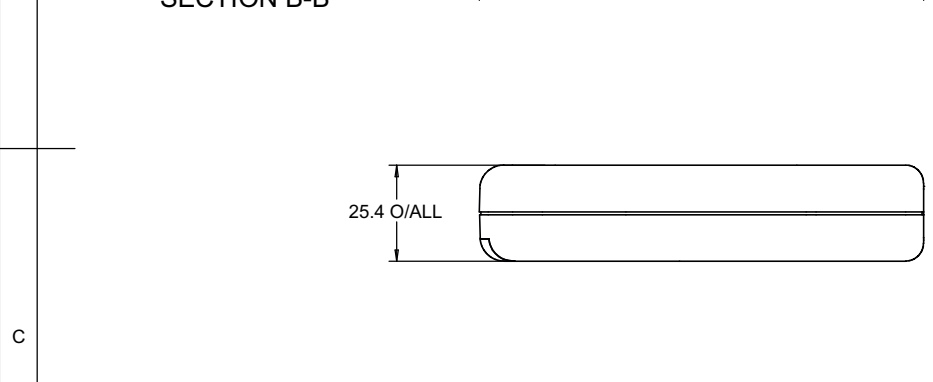
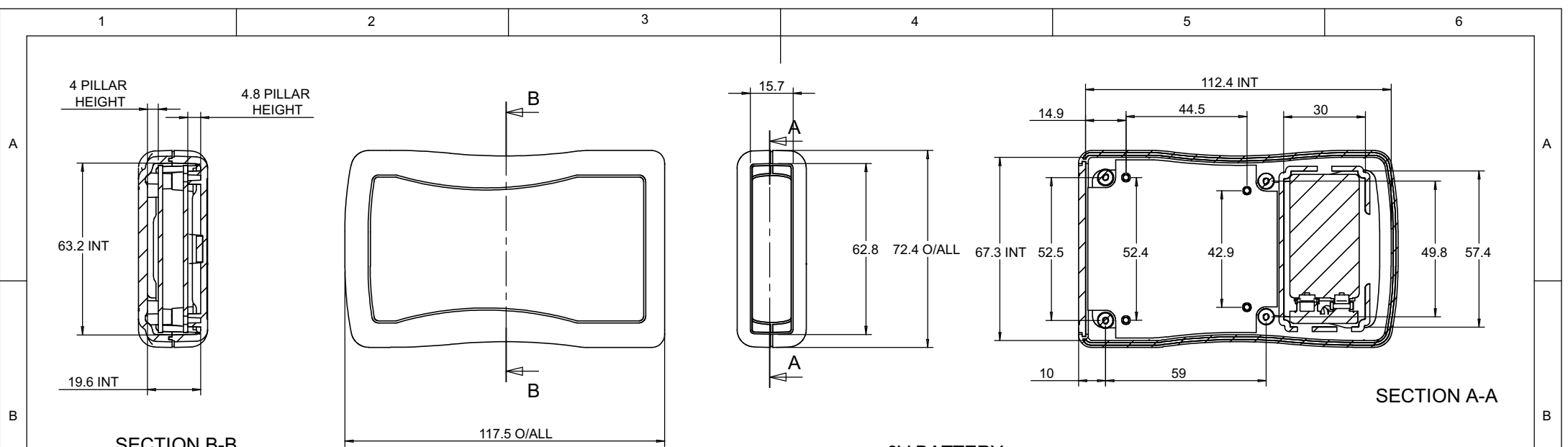


CHH451BRD



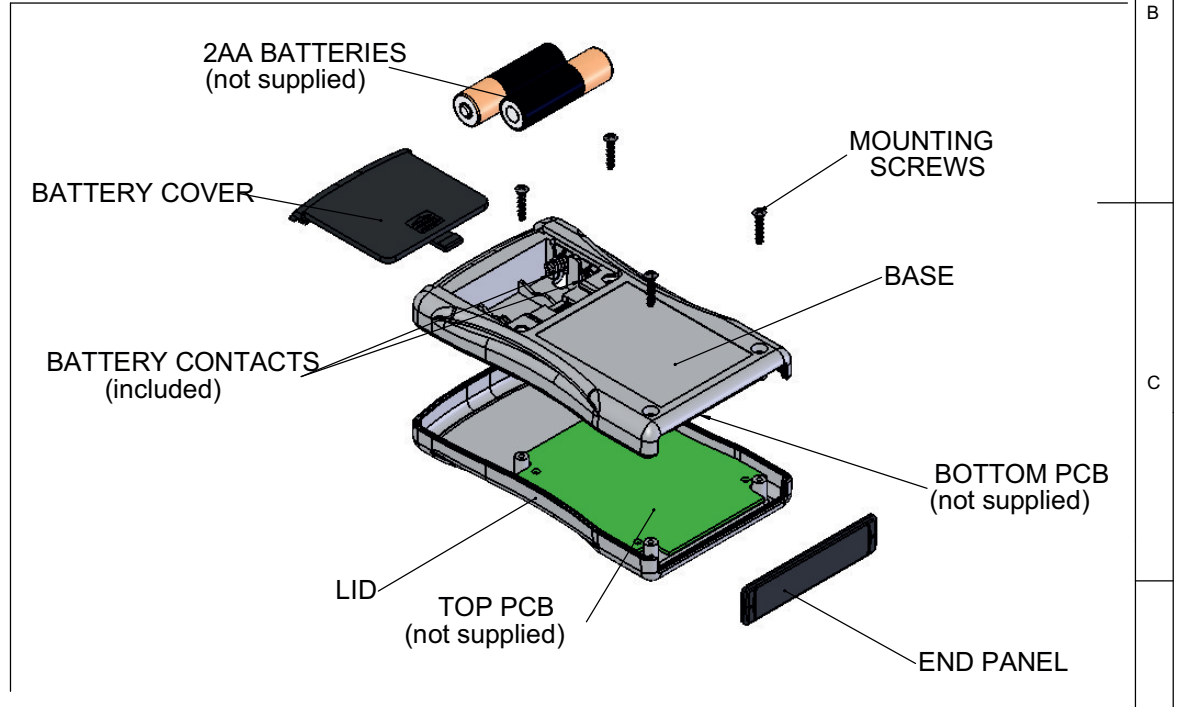
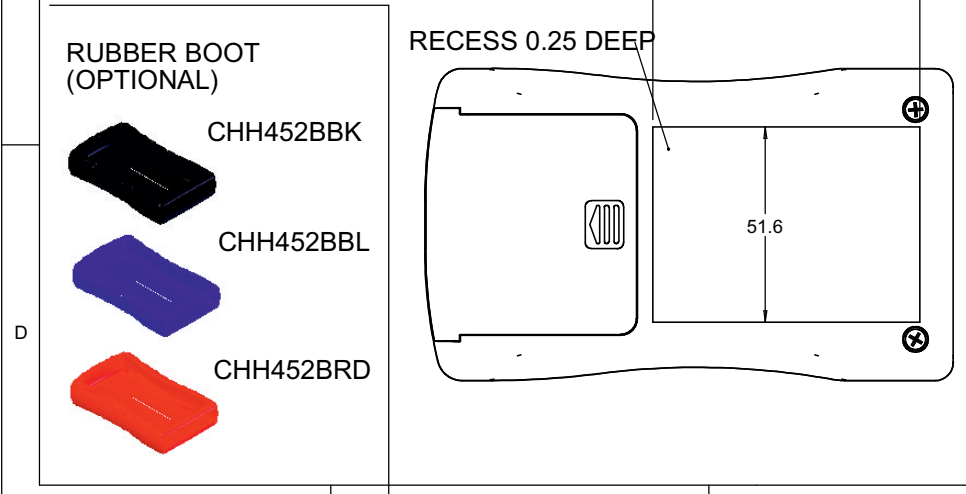
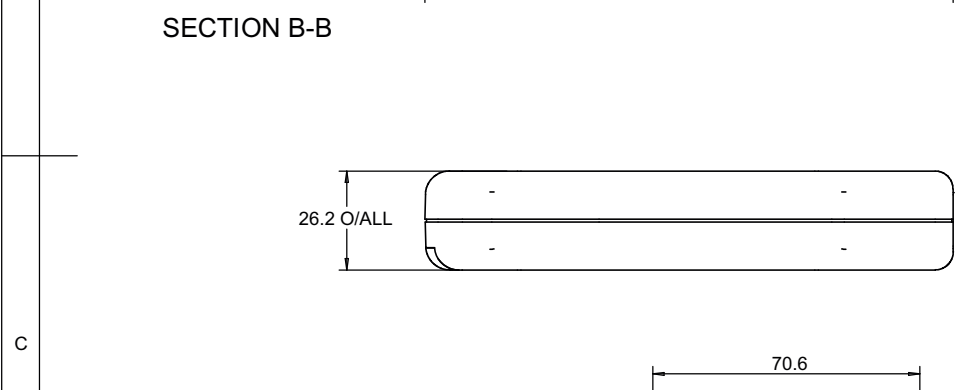
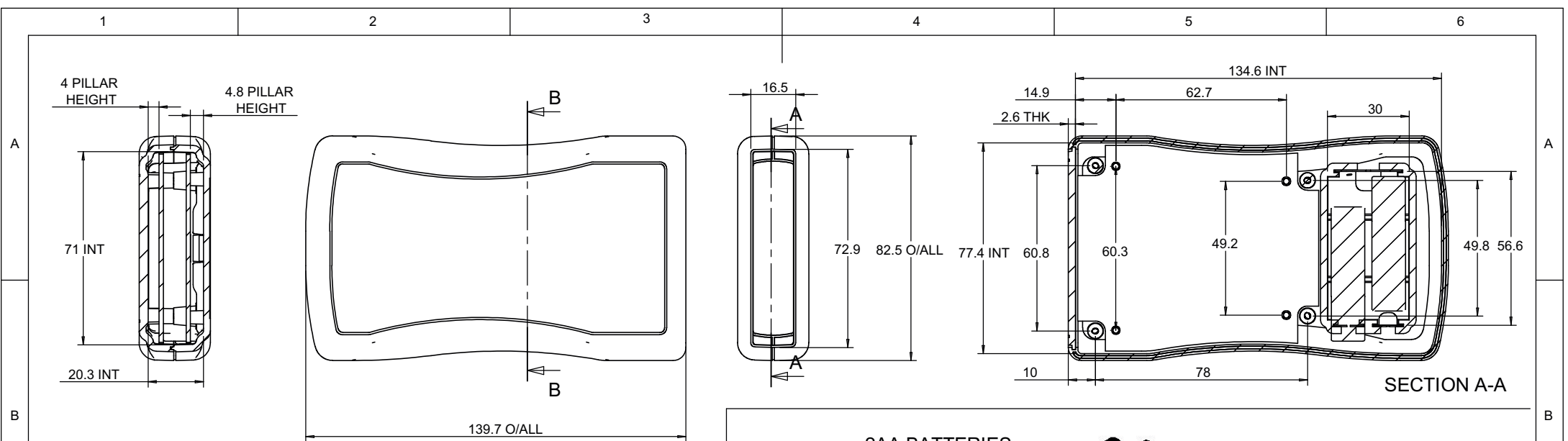
		UNLESS OTHERWISE SPECIFIED: DIMENSIONS ARE IN MILLIMETERS		DO NOT SCALE DRAWING	REVISION: 0
		FINISH: FINE TEXTURE		TITLE: GENERAL ASSEMBLY DRG FOR 45 SERIES PALM CASES	
DRAWN	NAME	SIGNED	DATE	MATERIAL:	DWG NO.
CHKD	L SUBKHANKULOVA	LS	05/01/11	UL94-5VA ABS BLACK	CHH451ABK
	L DROBKA	LS	05/01/11	PROJECTION:	SCALE: 1:2
				SHEET 1 OF 1	

A4

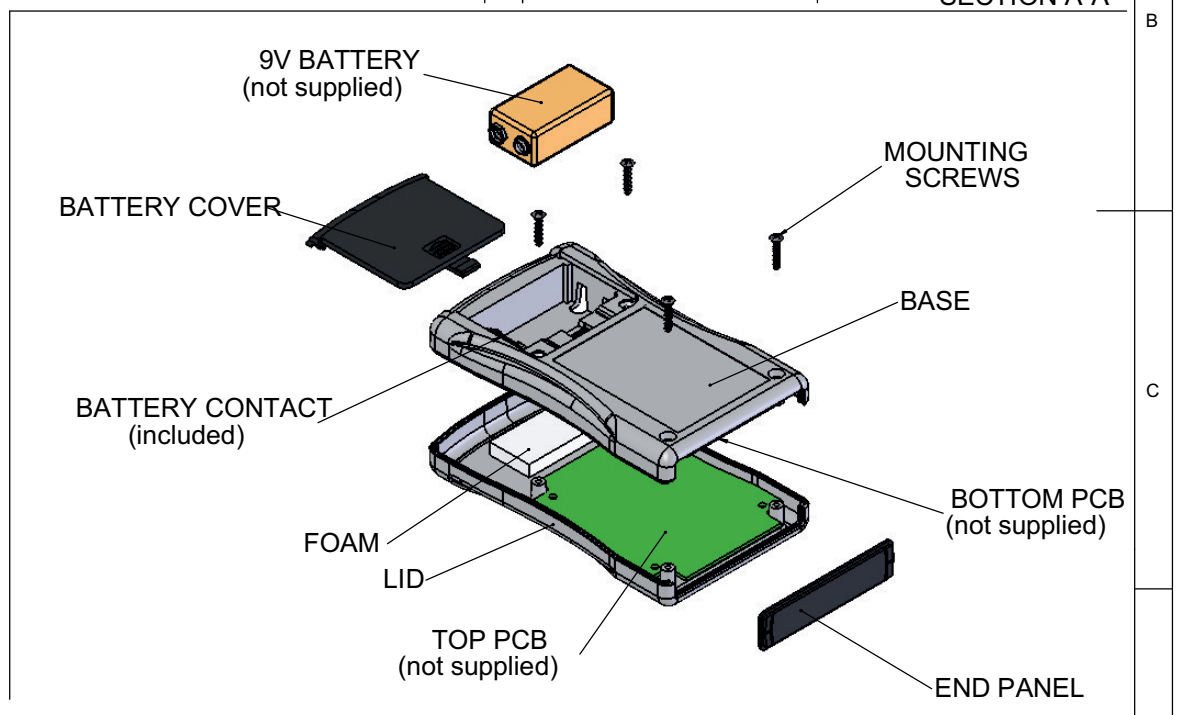
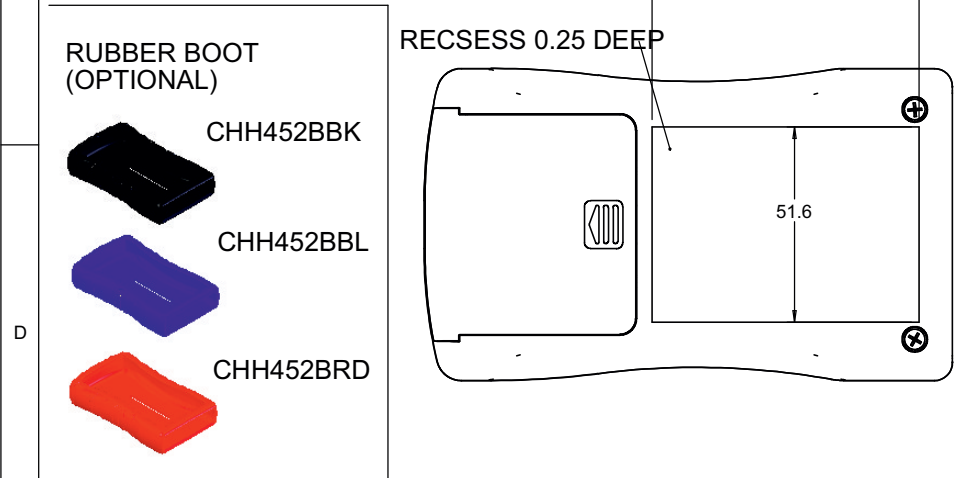
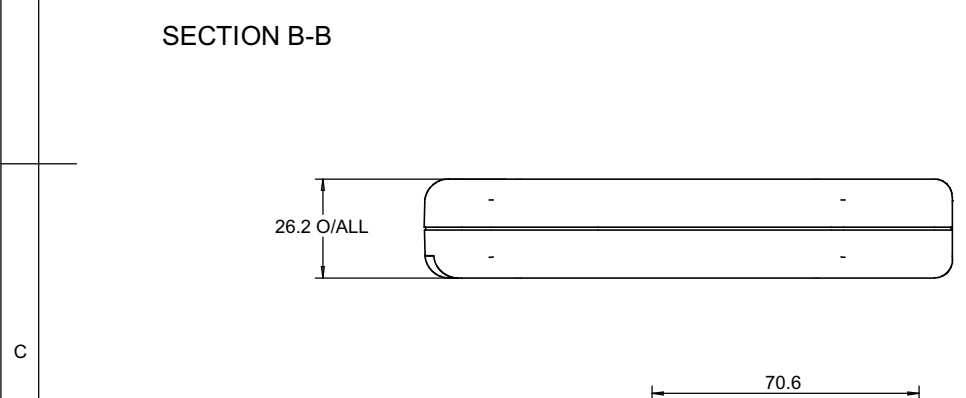
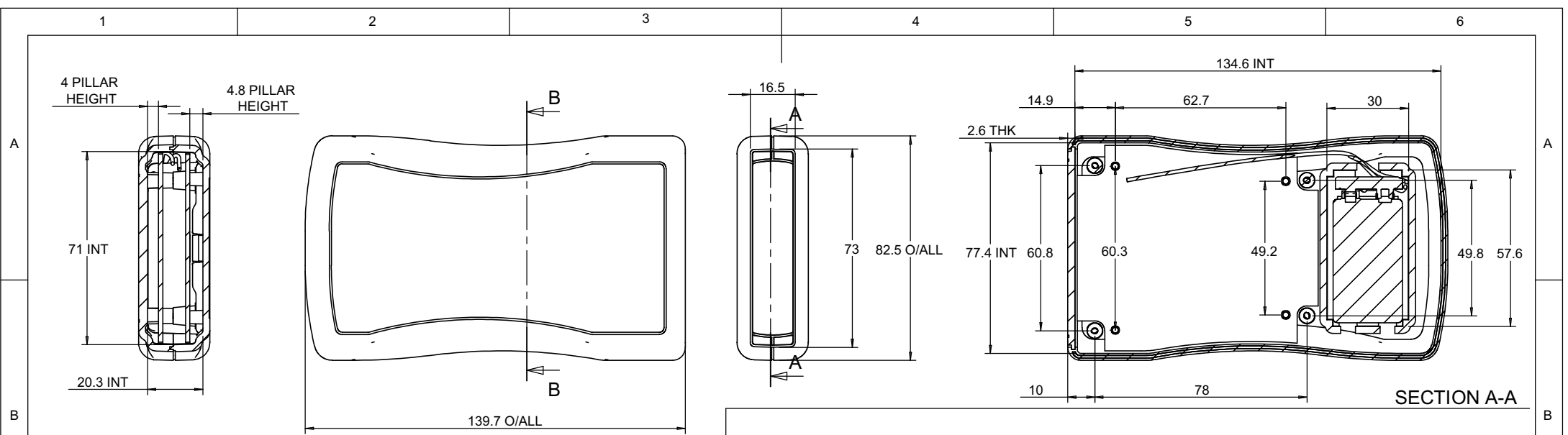


		UNLESS OTHERWISE SPECIFIED: DIMENSIONS ARE IN MILLIMETERS		DO NOT SCALE DRAWING	REVISION. 0
		FINISH: FINE TEXTURE		TITLE: GENERAL ASSEMBLY DRG FOR 45 SERIES PALM CASES	
DRAWN	NAME	SIGNED	DATE	MATERIAL.	DWG NO.
CHKD	MATTHEW WALLACE	MJW	07/01/11	UL94-5VA ABS BLACK	CHH451PBK
	L.SUBKHANKULOVA	LS	07/01/11	PROJECTION.	SCALE: 1 : 2
					SHEET 1 OF 1

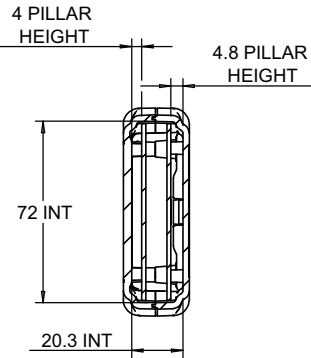
A4



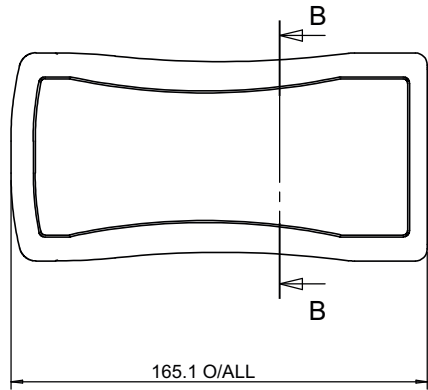
				UNLESS OTHERWISE SPECIFIED: DIMENSIONS ARE IN MILLIMETERS		DO NOT SCALE DRAWING		REVISION: 0		
				FINISH: FINE TEXTURE		TITLE: GENERAL ASSEMBLY DRG FOR 45 SERIES PALM CASES				
DRAWN: MATTHEW WALLACE		SIGNED: MJW		DATE: 06/01/11		MATERIAL: UL94-5VA ABS BLACK		DWG NO. CHH452ABK		A4
CHK'D: L.SUBKHANKULOVA		LS		06/01/11		PROJECTION:		SCALE: 1:2		SHEET 1 OF 1



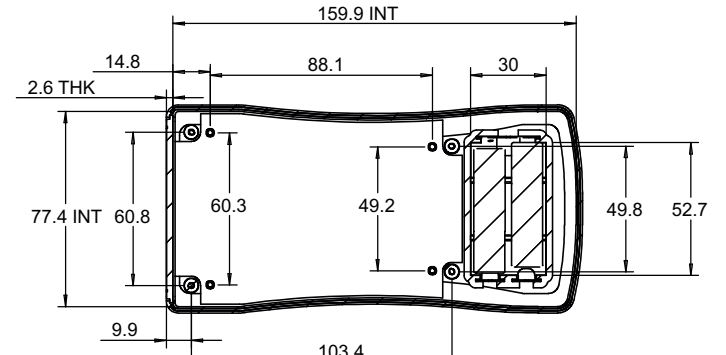
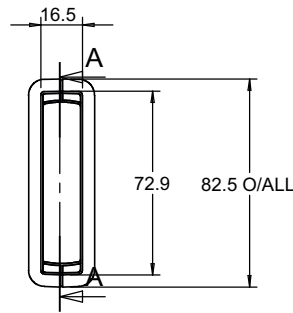
				UNLESS OTHERWISE SPECIFIED: DIMENSIONS ARE IN MILLIMETERS		DO NOT SCALE DRAWING		REVISION. 0		
				FINISH: FINE TEXTURE		TITLE: GENERAL ASSEMBLY DRG FOR 45 SERIES PALM CASES				
DRAWN: MATTHEW WALLACE		SIGNED: MJW		DATE: 07/01/11		MATERIAL: UL94-5VA ABS BLACK		DWG NO. CHH452PBK		A4
CHK'D: L.SUBKHANKULOVA		LS		07/01/11		PROJECTION:		SCALE: 1 : 2		SHEET 1 OF 1



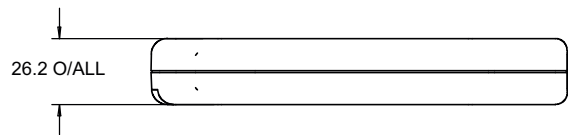
SECTION B-B



165.1 O/ALL



SECTION A-A

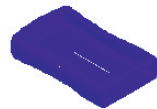


26.2 O/ALL

RUBBER BOOT (OPTIONAL)



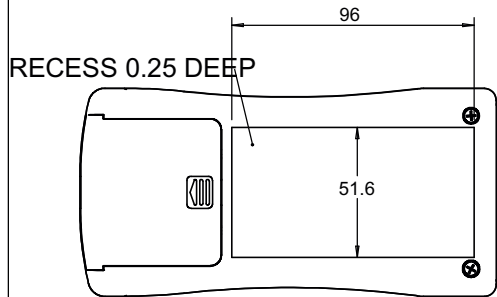
CHH453BBK



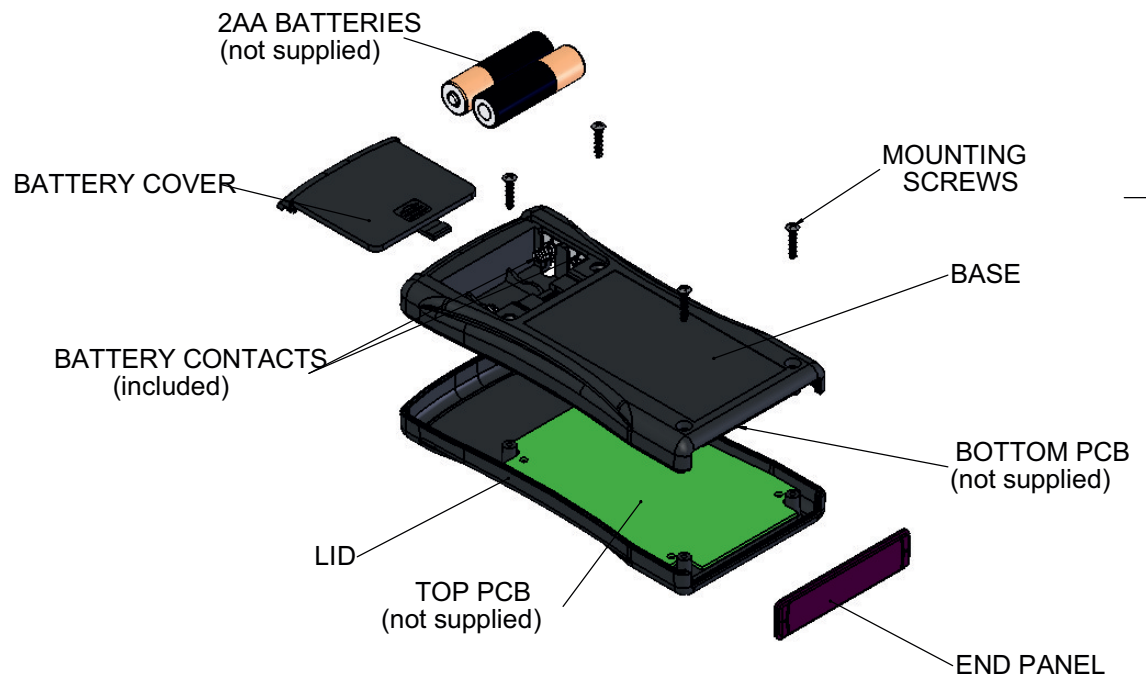
CHH453BBL



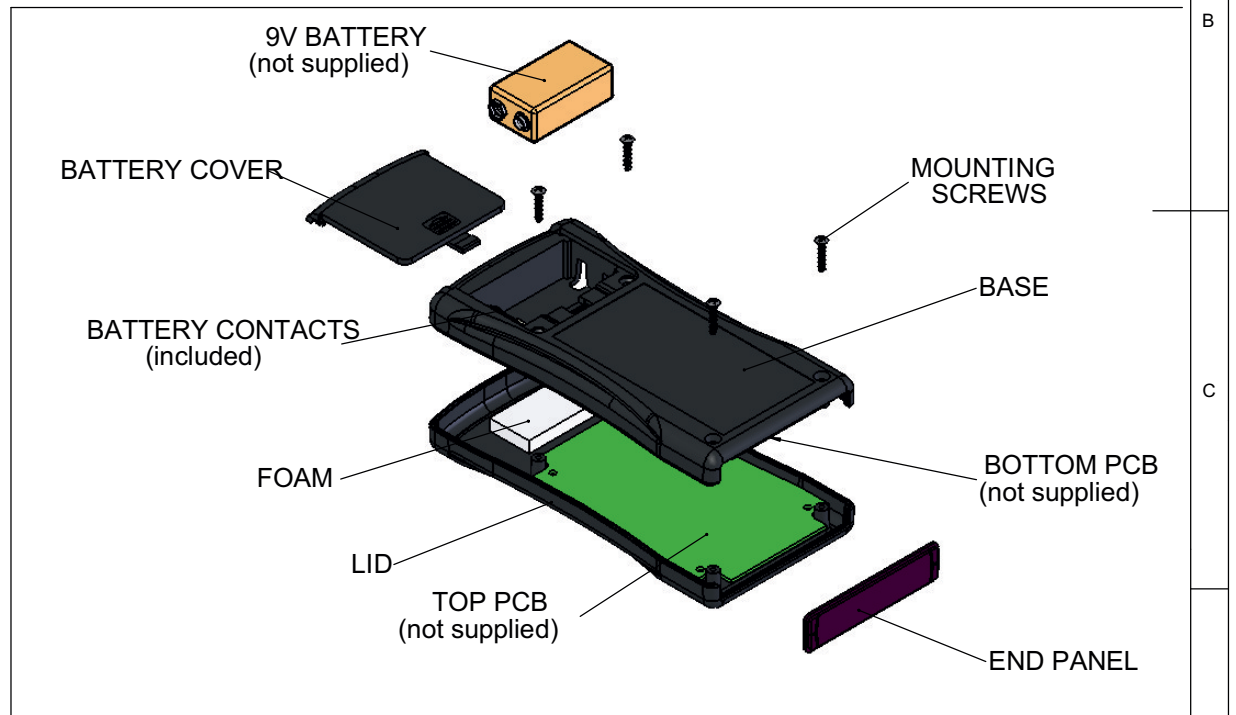
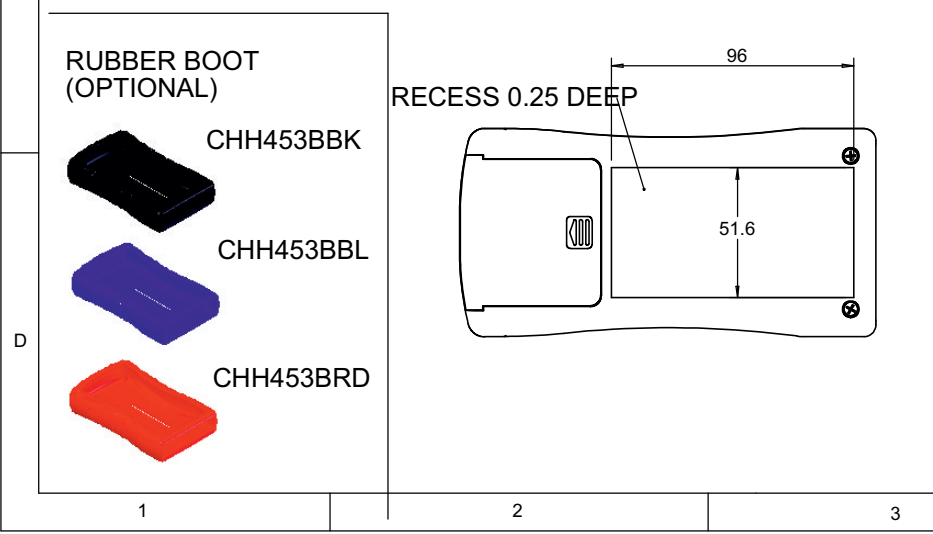
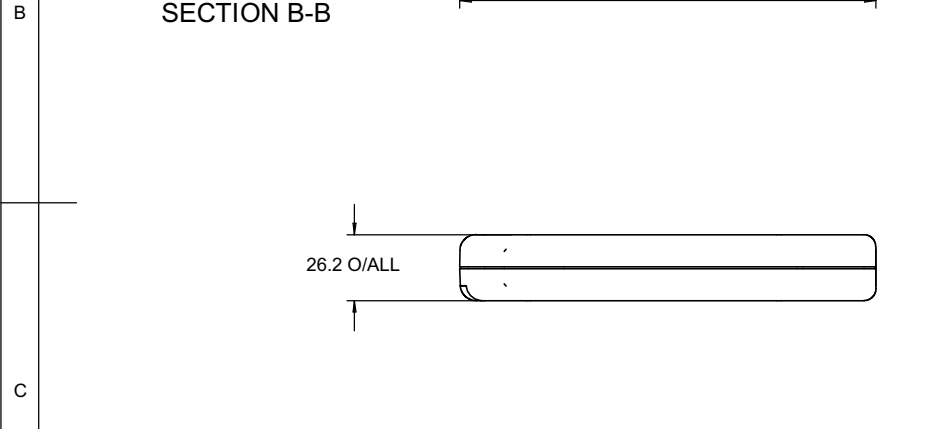
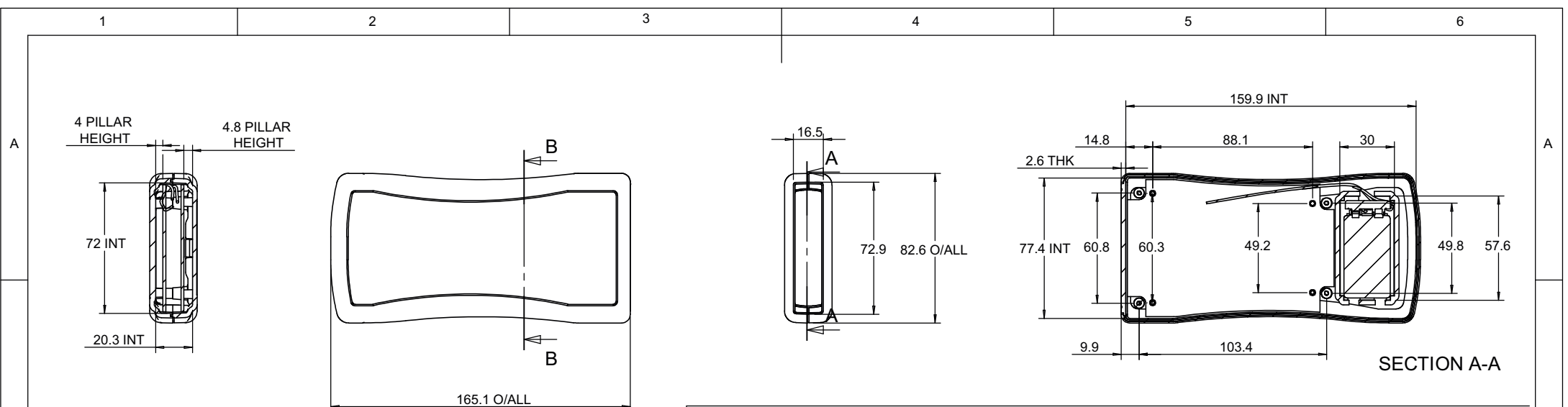
CHH453BRD



RECESS 0.25 DEEP

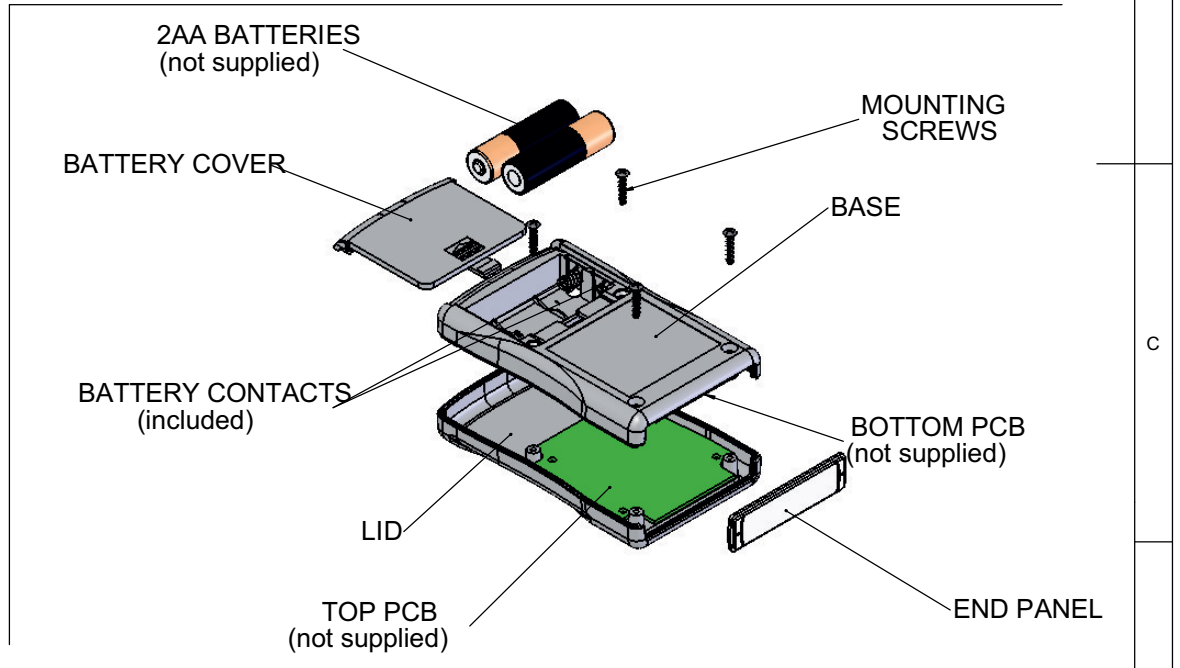
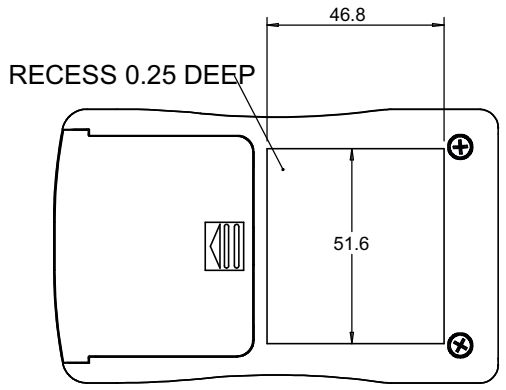
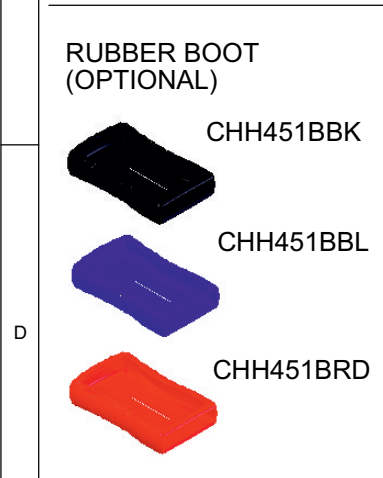
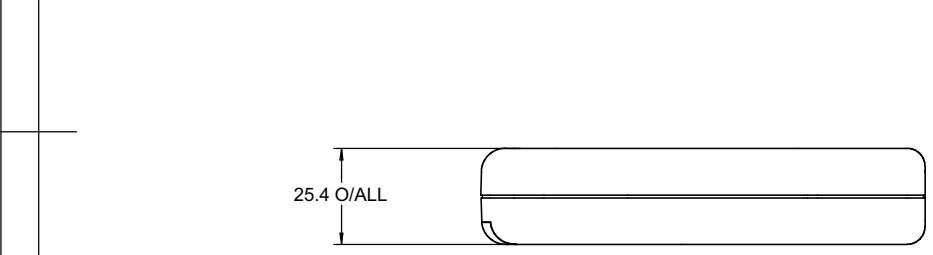
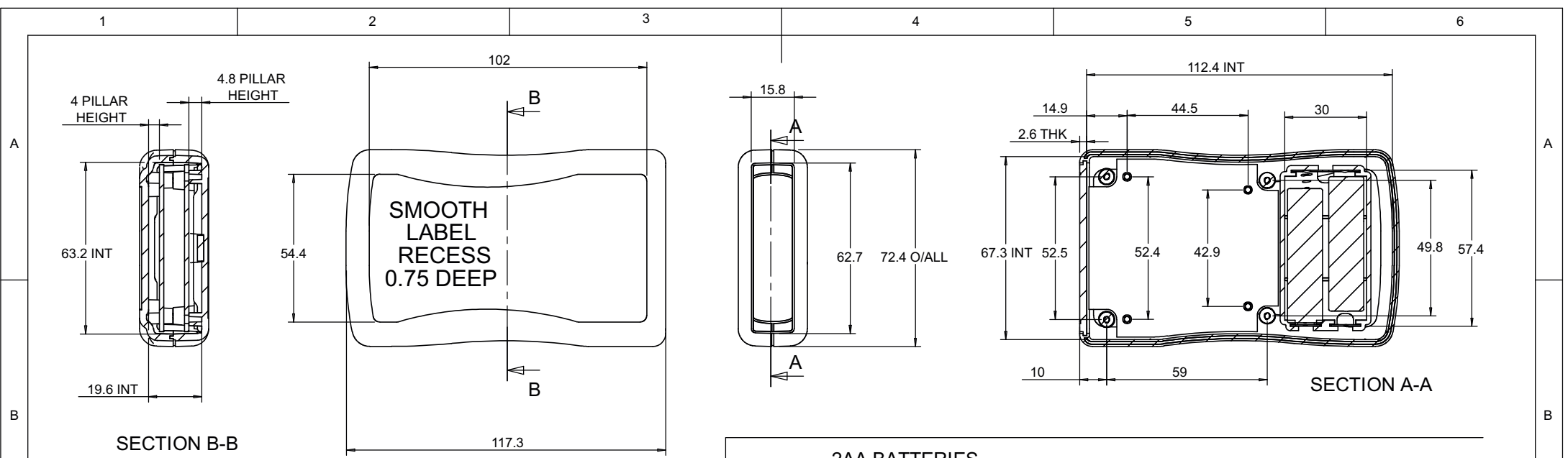


				UNLESS OTHERWISE SPECIFIED: DIMENSIONS ARE IN MILLIMETERS		DO NOT SCALE DRAWING		REVISION. 0	
				FINISH. FINE TEXTURE		TITLE: GENERAL ASSEMBLY DRG FOR 45 SERIES PALM CASES			
DRAWN: MATTHEW WALLACE		SIGNED: MJW		DATE: 06/01/11		MATERIAL: UL94-5VA ABS BLACK		DWG NO. CHH453ABK	
CHK'D: L.SUBKHANKULOVA		LS		06/01/11		PROJECTION:		SCALE: 1:3	
								SHEET 1 OF 1	



		UNLESS OTHERWISE SPECIFIED: DIMENSIONS ARE IN MILLIMETERS		DO NOT SCALE DRAWING	REVISION. 0
		FINISH. FINE TEXTURE		TITLE: GENERAL ASSEMBLY DRG FOR 45 SERIES PALM CASES	
DRAWN	NAME	SIGNED	DATE	MATERIAL.	DWG NO.
CHK'D	L.SUBKHANKULOVA	LS	07/01/11	UL94-5VA ABS BLACK	CHH453PBK
PROJECTION.				SCALE: 1 : 3	SHEET 1 OF 1

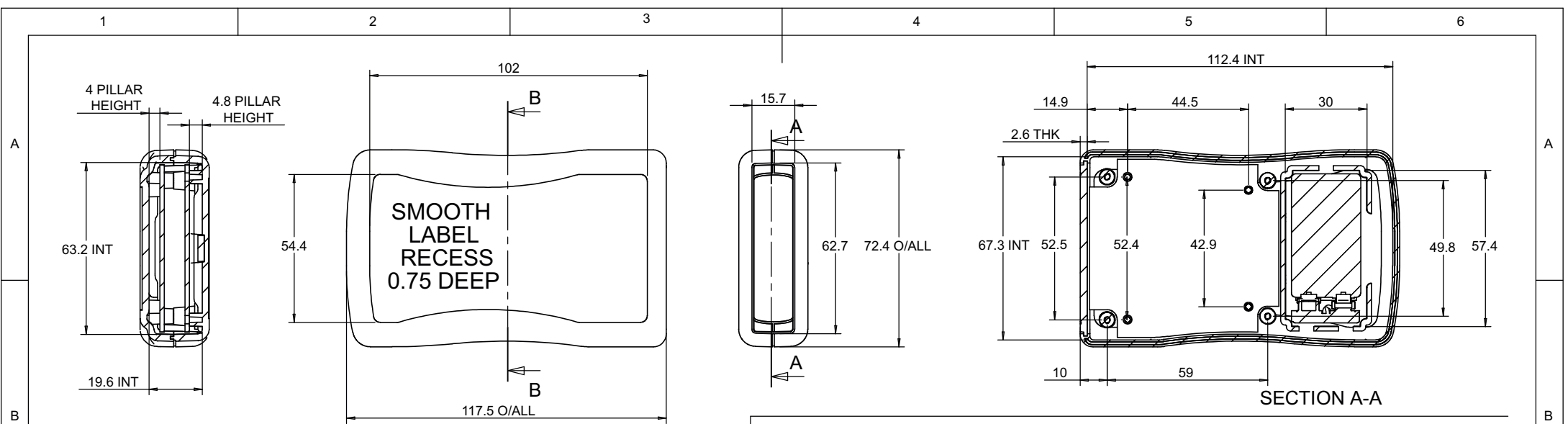
A4



		UNLESS OTHERWISE SPECIFIED: DIMENSIONS ARE IN MILLIMETERS		DO NOT SCALE DRAWING	REVISION. 0
		FINISH: FINE TEXTURE SMOOTH LABEL RECESS		TITLE: GENERAL ASSEMBLY DRG FOR 45 SERIES PALM CASES	
DRAWN	NAME	SIGNED	DATE	MATERIAL.	DWG NO.
CHK'D	L.SUBKHANKULOVA	LS	07/01/11	UL94-5VA ABS BLACK	CHH456ABK
PROJECTION.				SCALE: 1 : 2	SHEET 1 OF 1

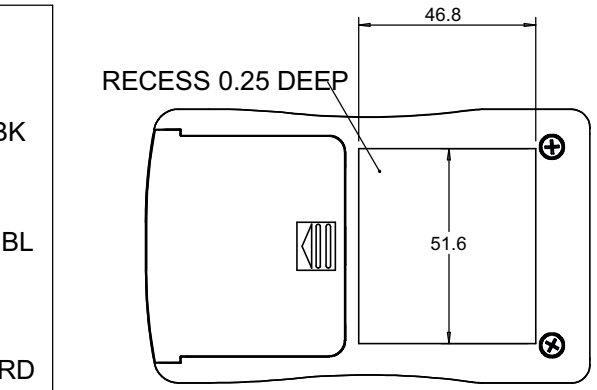
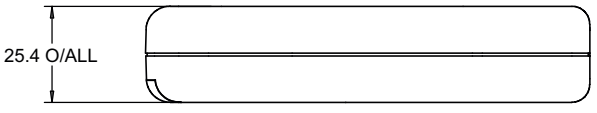
A4



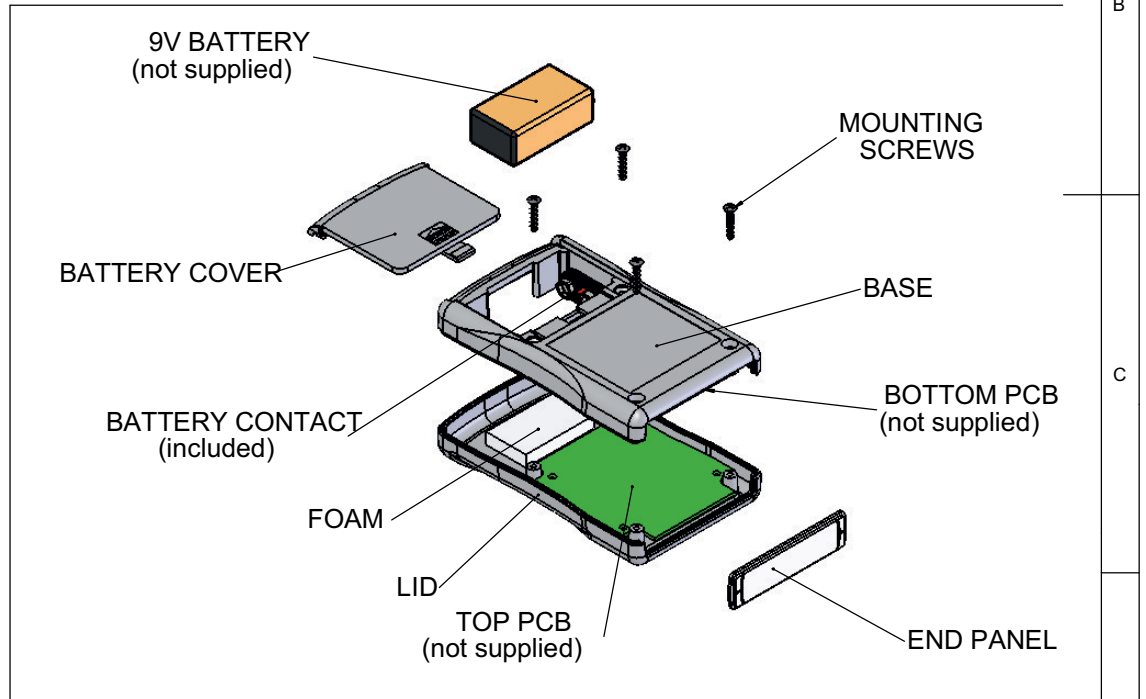
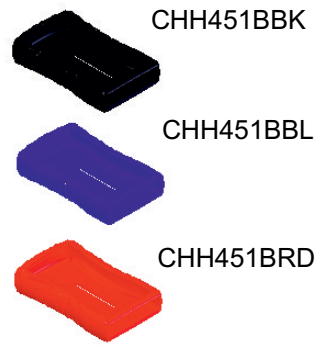


SECTION B-B

SECTION A-A

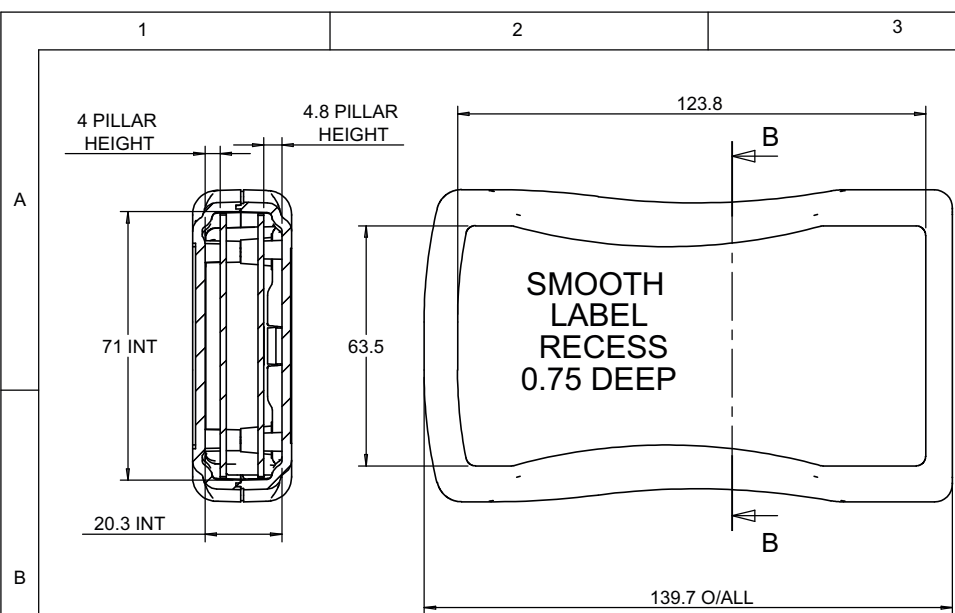


RUBBER BOOT (OPTIONAL)

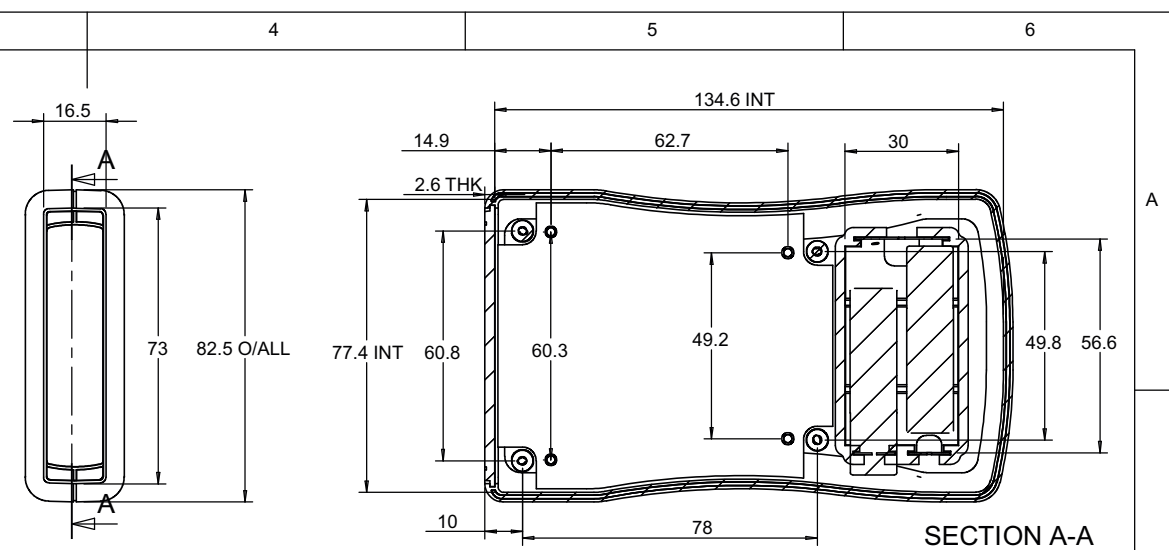


		UNLESS OTHERWISE SPECIFIED: DIMENSIONS ARE IN MILLIMETERS		DO NOT SCALE DRAWING	REVISION: 0
		FINISH: FINE TEXTURE SMOOTH LABEL RECESS		TITLE: GENERAL ASSEMBLY DRG FOR 45 SERIES PALM CASES	
DRAWN	NAME	SIGNED	DATE	MATERIAL	DWG NO.
CHK'D	L.SUBKHANKULOVA	LS	07/01/11	UL94-5VA ABS BLACK	CHH456PBK
PROJECTION:				SCALE: 1:2	SHEET 1 OF 1

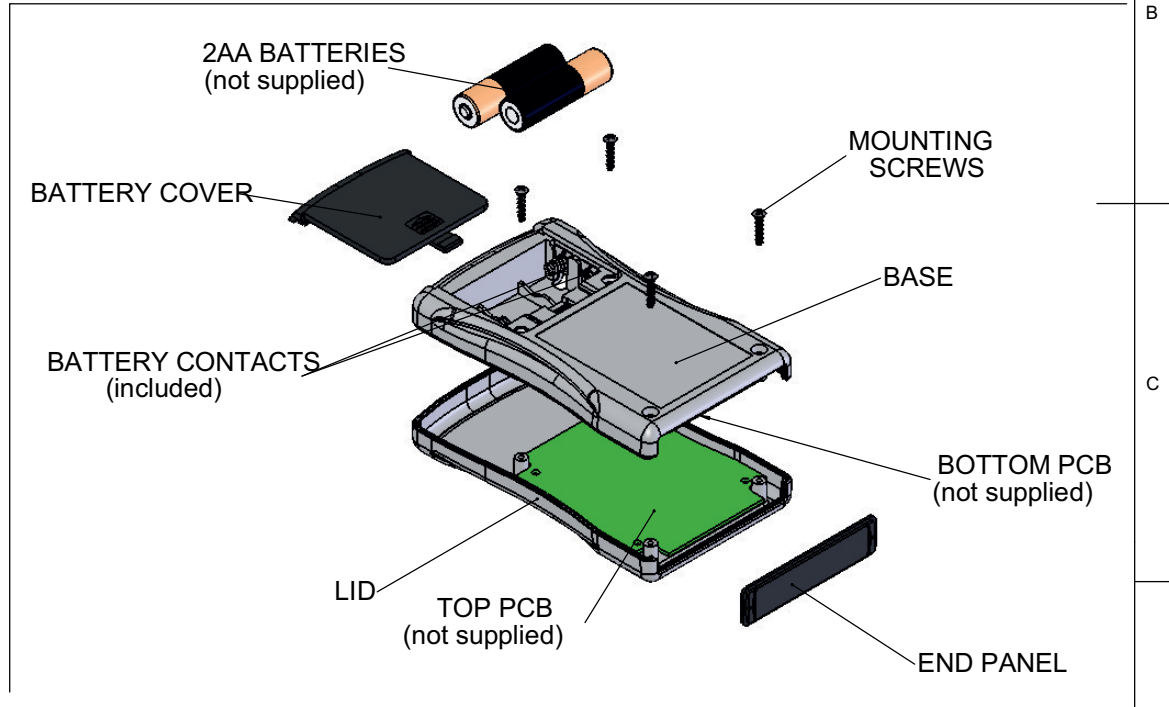
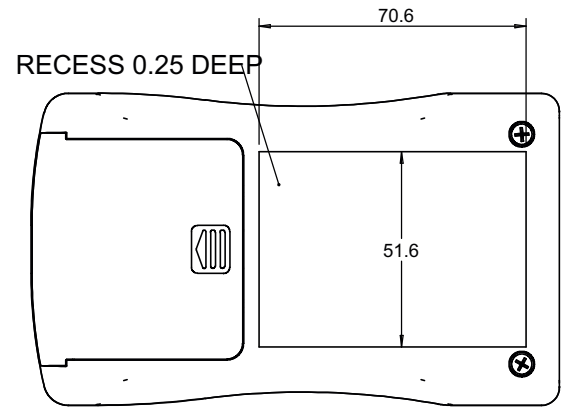
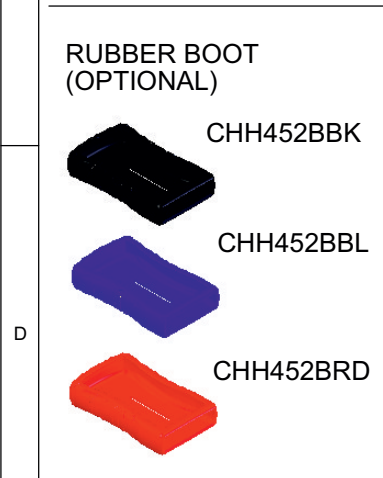
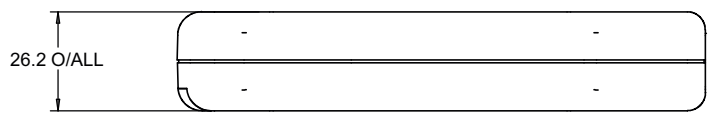
A4



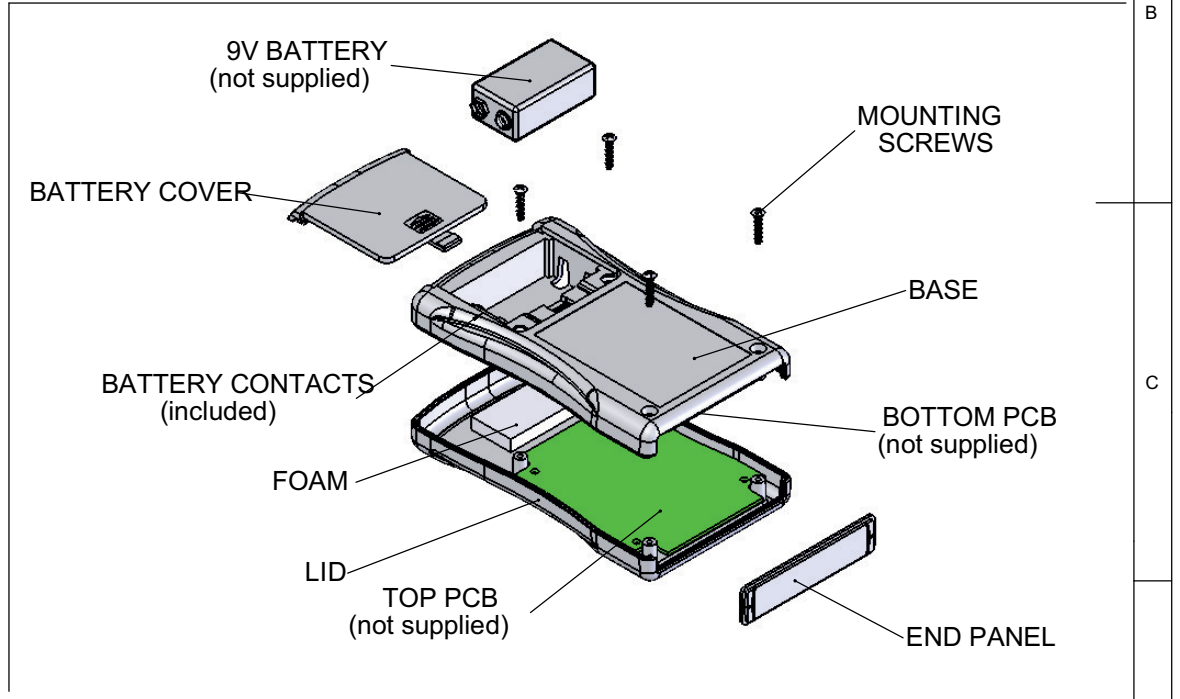
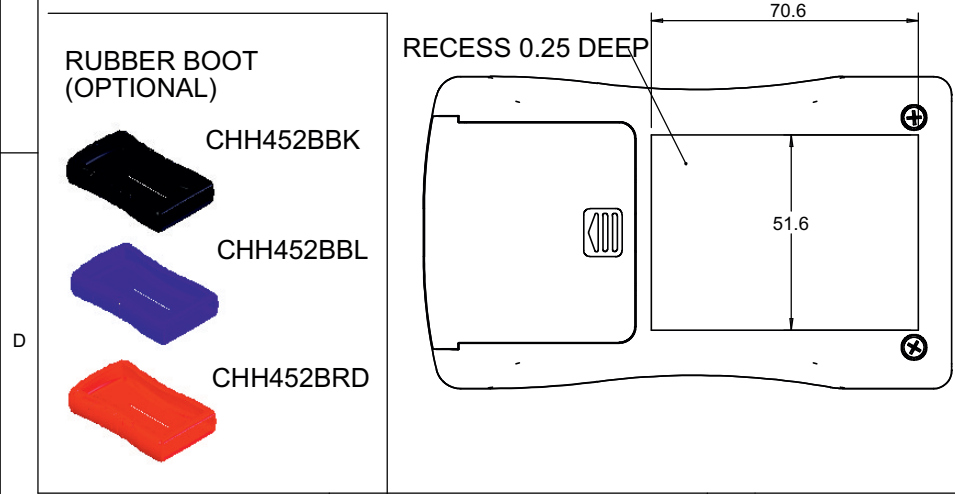
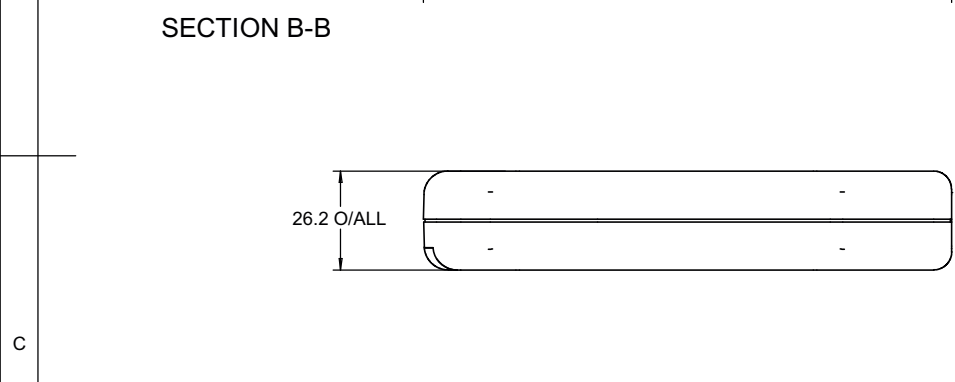
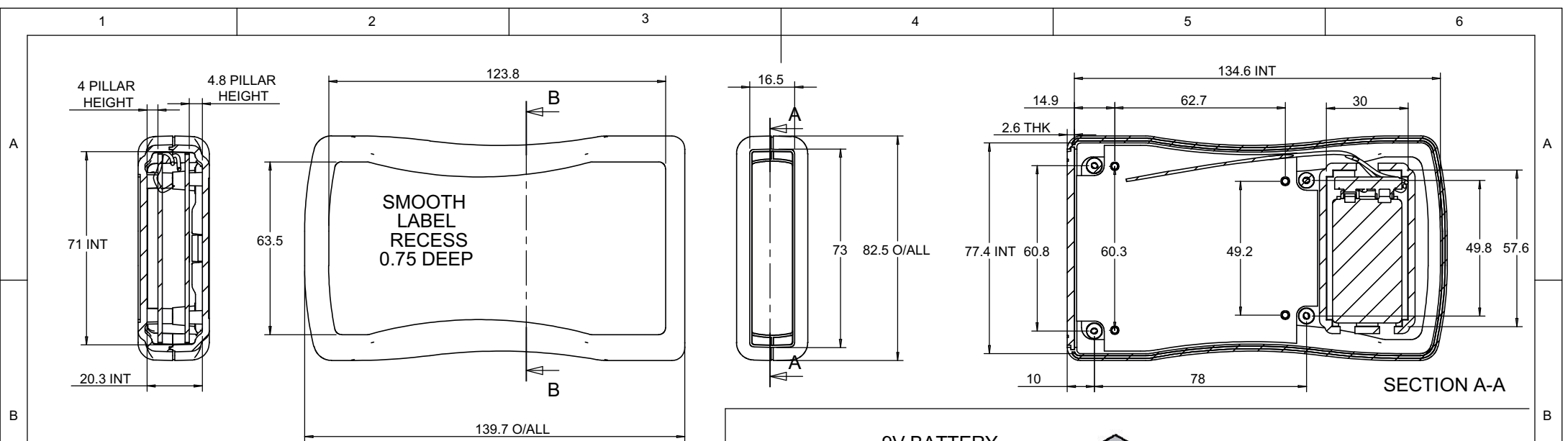
SECTION B-B



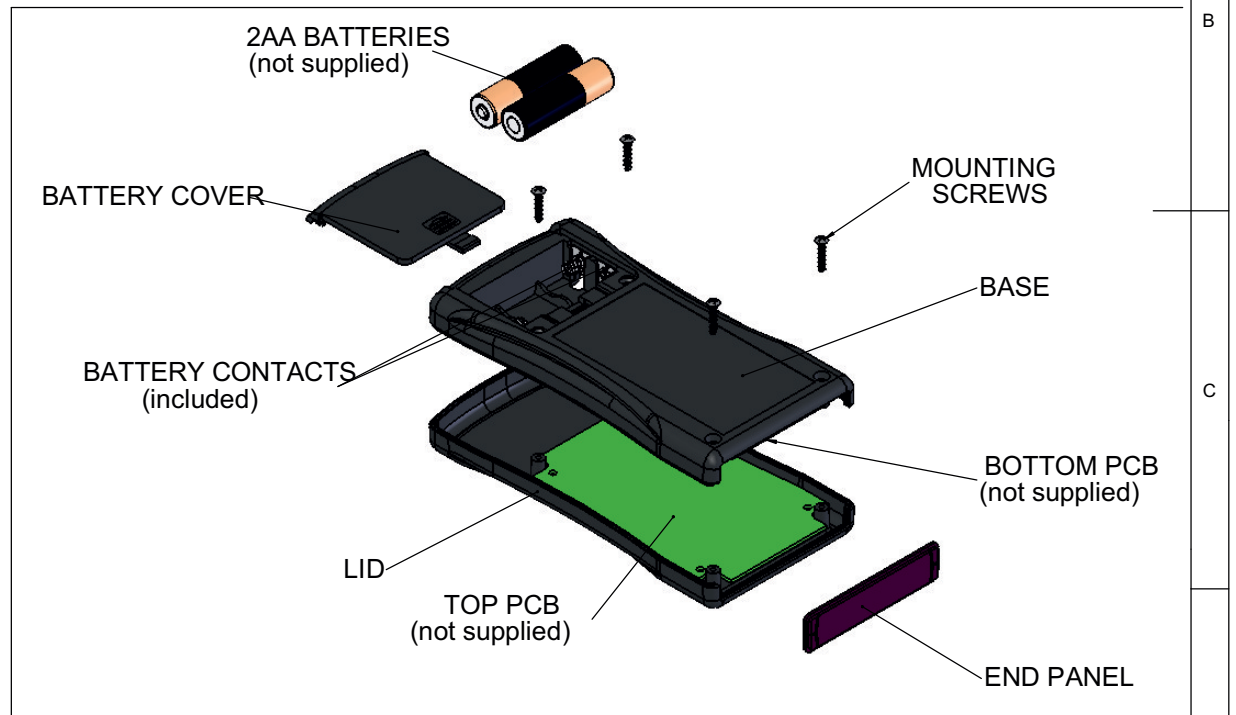
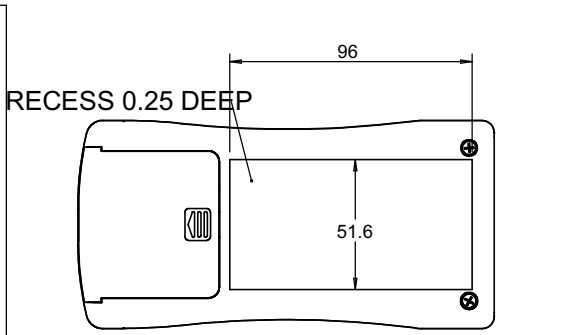
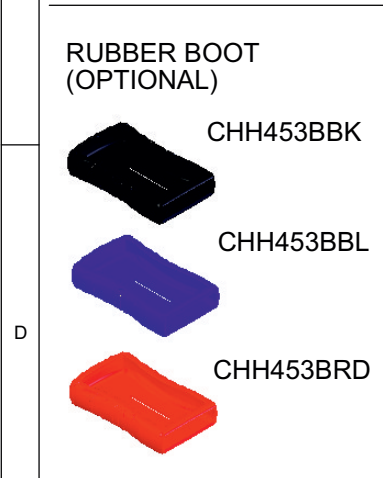
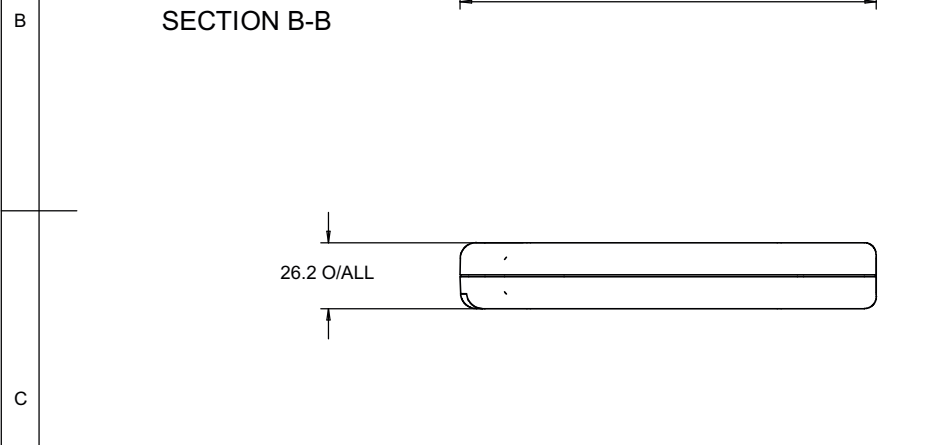
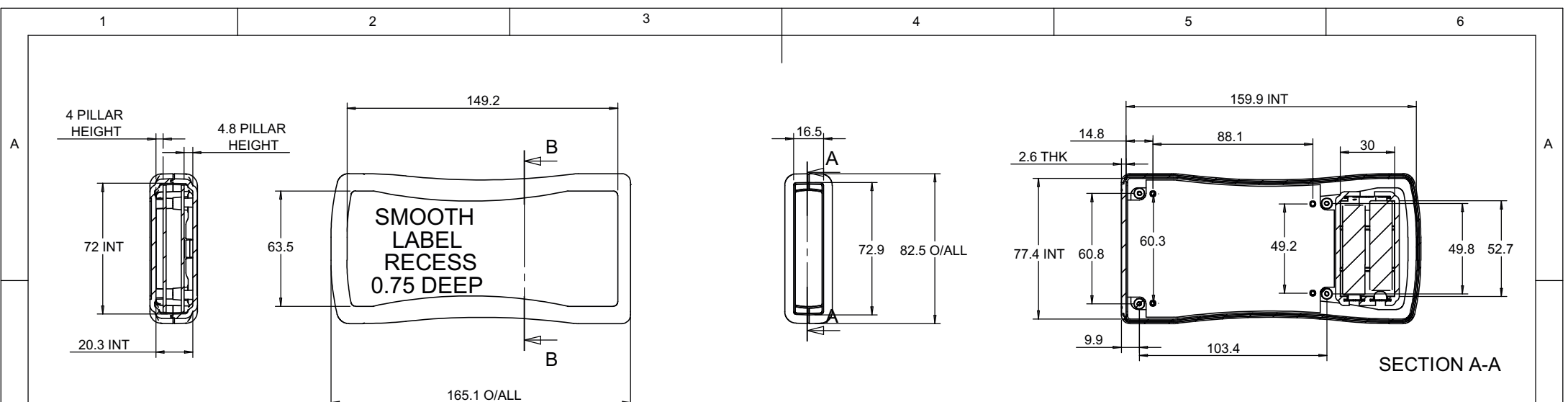
SECTION A-A



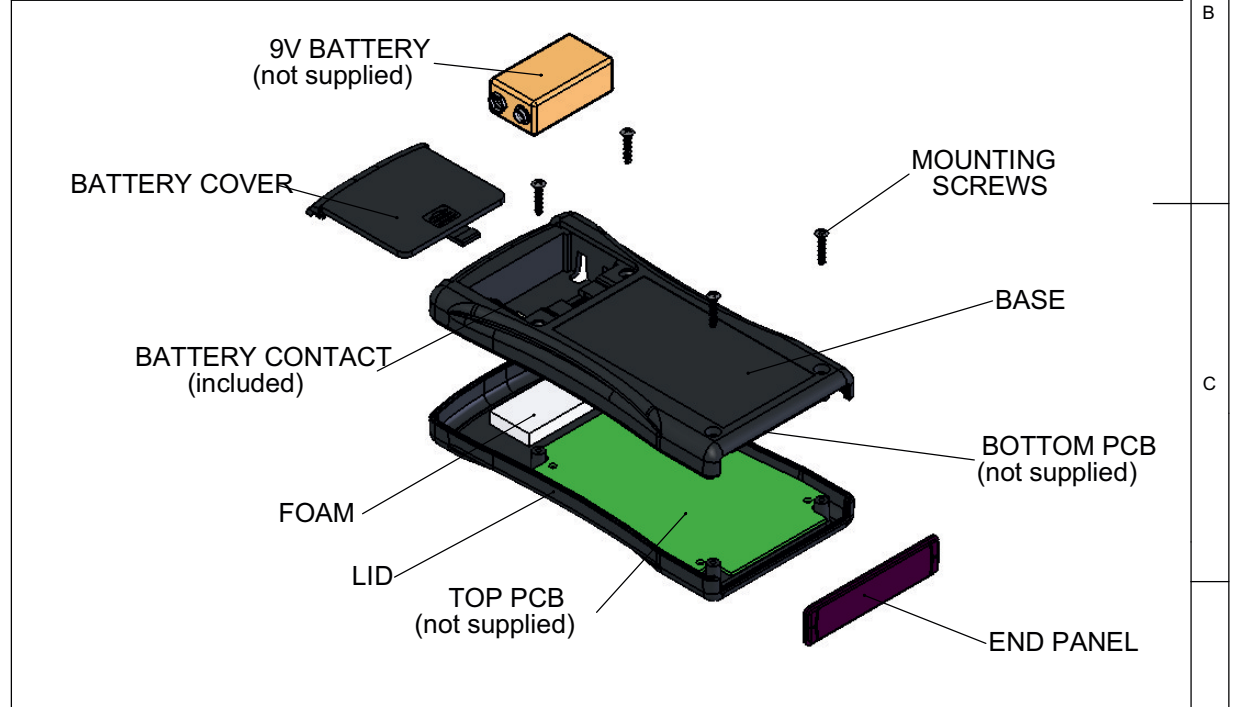
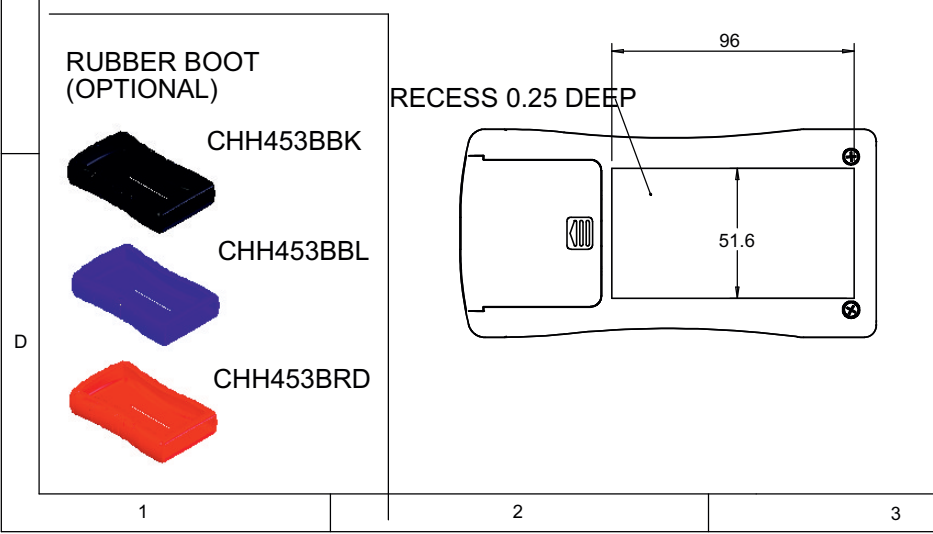
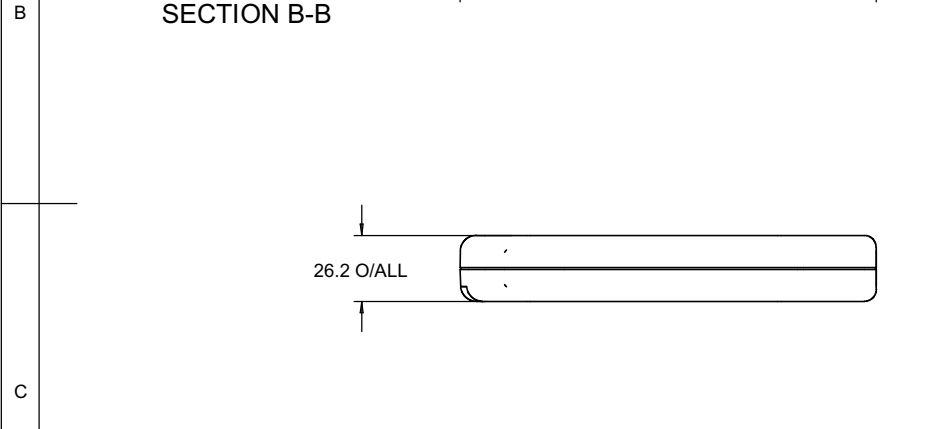
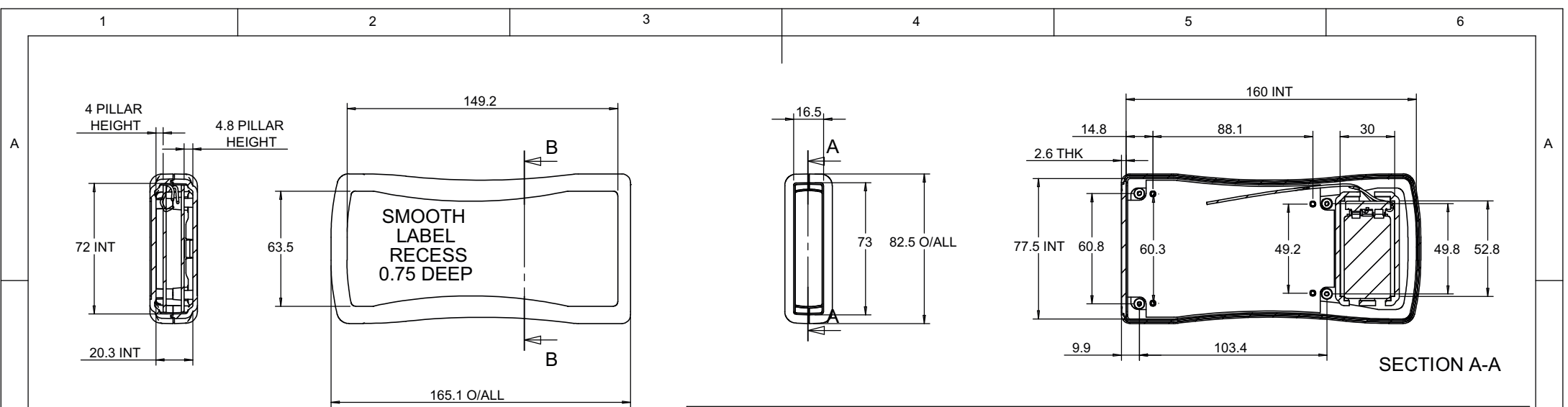
		UNLESS OTHERWISE SPECIFIED: DIMENSIONS ARE IN MILLIMETERS		DO NOT SCALE DRAWING	REVISION. 0
		FINISH: FINE TEXTURE SMOOTH LABEL RECESS		TITLE: GENERAL ASSEMBLY DRG FOR 45 SERIES PALM CASES	
DRAWN	NAME	SIGNED	DATE	MATERIAL.	DWG NO.
CHK'D	L.SUBKHANKULOVA	LS	06/01/11	UL94-5VA ABS BLACK	CHH457ABK
PROJECTION.				SCALE: 1 : 2	
				SHEET 1 OF 1	



		UNLESS OTHERWISE SPECIFIED: DIMENSIONS ARE IN MILLIMETERS		DO NOT SCALE DRAWING	REVISION. 0
		FINISH: FINE TEXTURE SMOOTH LABEL RECESS		TITLE: GENERAL ASSEMBLY DRG FOR 45 SERIES PALM CASES	
DRAWN	NAME	SIGNED	DATE	MATERIAL.	DWG NO.
MATTHEW WALLACE	MJW	07/01/11	UL94-5VA ABS BLACK	CHH457PBK	A4
CHK'D	L.SUBKHANKULOVA	LS	07/01/11	PROJECTION.	SCALE: 1 : 2 SHEET 1 OF 1



		UNLESS OTHERWISE SPECIFIED: DIMENSIONS ARE IN MILLIMETERS		DO NOT SCALE DRAWING	REVISION: 0
		FINISH: FINE TEXTURE SMOOTH LABEL RECESS		TITLE: GENERAL ASSEMBLY DRG FOR 45 SERIES PALM CASES	
DRAWN	NAME	SIGNED	DATE	MATERIAL:	DWG NO.
CHK'D	L.SUBKHANKULOVA	LS	06/01/11	UL94-5VA ABS BLACK	CHH458ABK
PROJECTION:				SCALE: 1 : 3	SHEET 1 OF 1



		UNLESS OTHERWISE SPECIFIED: DIMENSIONS ARE IN MILLIMETERS		DO NOT SCALE DRAWING	REVISION: 0
		FINISH: FINE TEXTURE SMOOTH LABEL RECESS		TITLE: GENERAL ASSEMBLY DRG FOR 45 SERIES PALM CASES	
DRAWN	NAME	SIGNED	DATE	MATERIAL:	DWG NO.
CHK'D	L.SUBKHANKULOVA	LS	07/01/11	UL94-5VA ABS BLACK	CHH458PBK
PROJECTION:				SCALE: 1:3	SHEET 1 OF 1