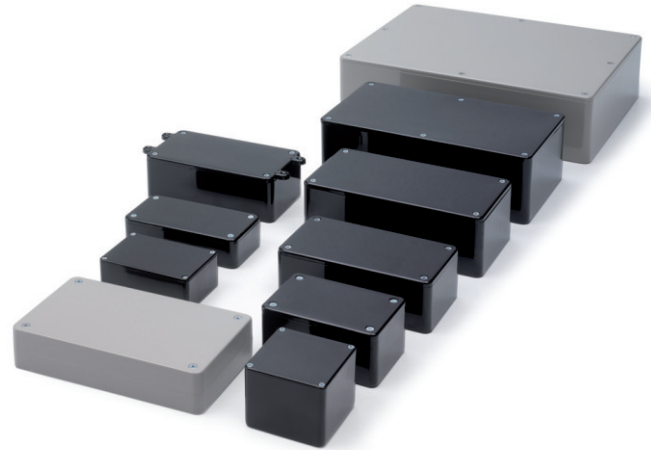


UNIVERSAL ENCLOSURES

2000 Series General Purpose ABS Cases

The most comprehensive, competitive range of general purpose electronic enclosures for universal applications.

- Polished external surfaces
- Integral card guides accept 1.6mm PCBs
- Low draught angle for mounting control elements on side walls
- Excellent characteristics for milling, drilling and cutting
- Lid mounted by four M3 machine screws into brass inserts in base
- PCB Adaptors (included) for horizontal mounting of PCBs



2000 Standard Lid

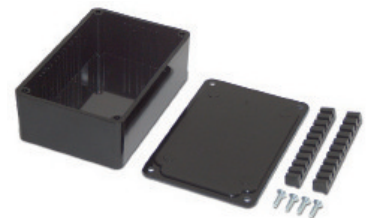
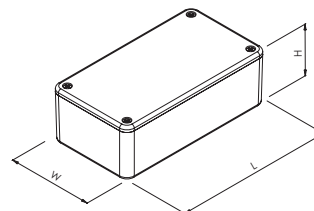
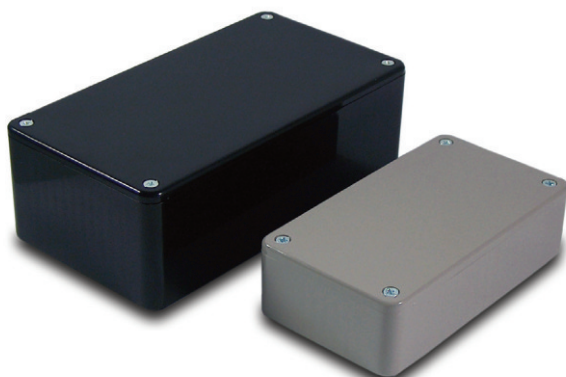
Extensive range of electronic enclosures with solid ABS lid, designed for a broad range of applications.

- Lid and Base moulded in ABS
- Lid mounted by four M3 machine screws
- Brass inserts in base for repetitive removal of the lid
- Polished finish for ease of cleaning
- Excellent properties for machining
- Integral mounting guides to accept 1.6mm PCB's
- PCB Adaptors (included) for horizontal PCB mounting

SPECIFICATION

| | |
|------------------------|--|
| Materials | Lid & base high impact ABS |
| Operating Temperature | Resistant to temperatures of up to 85°C |
| Protection class | IP 54 |
| Standard colours | Yellow Grey(GY), Black(BK), Ivory(WH) |
| Colours to order | Light Grey(LG), White(BW), Blue(BL), Orange(ORG) |
| Standard unit includes | Combination of colours, flame retardant Base & lid 4x M3 machine screws |

| GREY | BLACK | IVORY | LENGTH | WIDTH | HEIGHT |
|------------------|--------------------|------------------|--------|-------|--------|
| BIM2008/8-GY/GY | BIM2008/18-BLK/BLK | BIM2008/18-WH/WH | 55mm | 55mm | 42mm |
| BIM2000/10-GY/GY | BIM2000/10-BLK/BLK | BIM2000/10-WH/WH | 75mm | 50mm | 27mm |
| BIM2001/11-GY/GY | BIM2001/11-BLK/BLK | BIM2001/11-WH/WH | 85mm | 56mm | 39mm |
| BIM2002/12-GY/GY | BIM2002/2-BLK/BLK | BIM2002/12-WH/WH | 100mm | 50mm | 25mm |
| BIM2003/13-GY/GY | BIM2003/13-BLK/BLK | BIM2003/13-WH/WH | 112mm | 62mm | 31mm |
| BIM2007/17-GY | BIM2007/17-BLK | - | 112mm | 62mm | 31mm |
| BIM2004/14-GY/GY | BIM2004/14-BLK/BLK | BIM2004/14-WH/WH | 120mm | 65mm | 40mm |
| RTM2030/30-GY | RTM2030/30-BLK | - | 142mm | 80mm | 30mm |
| BIM2005/5-GY/GY | BIM2005/15-BLK/BLK | BIM2005/15-WH | 150mm | 80mm | 50mm |
| BIM2006/16-GY/GY | BIM2006/16-BLK/BLK | BIM2006/16-WH/WH | 190mm | 110mm | 60mm |
| BIM2009/19-GY/GY | - | - | 250mm | 200mm | 64mm |



UNIVERSAL ENCLOSURES

UNIVERSAL ENCLOSURES

2000 Clear Lid

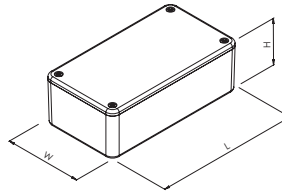
Extensive range of electronic enclosures for applications that require visible electronics such as LEDs or meters.

- Lid moulded in transparent high impact ABS
- Lid mounted by four M3 machine screws
- Polished finish for ease of cleaning
- Integral mounting guides to accept 1.6mm PCB's
- PCB Adaptors (included) for horizontal PCB mounting

SPECIFICATION

| | |
|-------------------------------|--|
| Materials | Base high impact ABS Lid transparent high impact ABS |
| Operating Temperature | Resistant to temperatures of up to 85°C |
| Protection class | IP 54 |
| Standard colours | Yellow Grey(GY), Black(BK), Ivory(WH) |
| Colours to order | Light Grey(LG), White(BW), Blue(BL), Orange(ORG) |
| Standard unit includes | Base & clear lid 4x M3 machine screws PCB adaptors |

| GREY | BLACK | IVORY | LENGTH | WIDTH | HEIGHT |
|------------------|-------------------|------------------|--------|-------|--------|
| BIM2008/18-GY/CL | BIM2008/18-BLK/CL | BIM2008/18-WH/CL | 55mm | 55mm | 42mm |
| BIM2000/10-GY/CL | BIM2000/10-BLK/CL | BIM2000/10-WH/CL | 75mm | 50mm | 27mm |
| BIM2001/11-GY/CL | BIM2001/11-BLK/CL | BIM2001/11-WH/CL | 85mm | 56mm | 39mm |
| BIM2002/12-GY/CL | BIM2002/12-BLK/CL | BIM2002/12-WH/CL | 100mm | 50mm | 25mm |
| BIM2003/13-GY/CL | BIM2003/13-BLK/CL | BIM2003/13-WH/CL | 112mm | 62mm | 31mm |
| BIM2007/17-GY/CL | BIM2007/17-BLK/CL | - | 112mm | 62mm | 31mm |
| BIM2004/14-GY/CL | BIM2004/14-BLK/CL | BIM2004/14-WH/CL | 120mm | 65mm | 40mm |
| BIM2005/15-GY/CL | BIM2005/15-BLK/CL | BIM2005/15-WH/CL | 150mm | 80mm | 50mm |
| BIM2006/16-GY/CL | BIM2006/16-BLK/CL | BIM2006/16-WH/CL | 190mm | 110mm | 60mm |



2000 Lugged Lid

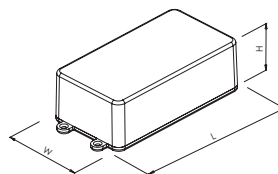
Electronics enclosures with lugged lid, for broad range of surface mounting applications. Provides extra security once mounted by restricting access to the screws in the lid

- Lugged Lid and base moulded in ABS
- Lid mounted by four M3 machine screws
- Polished finish for ease of cleaning
- Excellent properties for machining
- Integral mounting guides to accept 1.6mm PCB's
- PCB Adaptors (included) for horizontal PCB mounting

SPECIFICATION

| | |
|-------------------------------|---|
| Materials | Lid & base high impact ABS |
| Operating Temperature | Resistant to temperatures of up to 85°C |
| Protection class | IP 54 |
| Standard colours | Yellow Grey(GY), Black(BK), Ivory(WH) |
| Colours to order | Light Grey(LG), White(BW), Blue(BL), Orange (ORG) |
| Standard unit includes | Base & lugged lid 4x M3 machine screws |

| GREY | BLACK | IVORY | LENGTH | WIDTH | HEIGHT |
|-------------------|---------------------|-------------------|--------|-------|--------|
| BIM2003/LUG-GY/GY | BIM2003/LUG-BLK/BLK | BIM2003/LUG-WH/WH | 132mm | 62mm | 31mm |
| BIM2004/LUG-GY/GY | BIM2004/LUG-BLK/BLK | BIM2004/LUG-WH/WH | 140mm | 65mm | 40mm |
| BIM2005/LUG-GY/GY | BIM2005/LUG-BLK/BLK | BIM2005/LUG-WH/WH | 172mm | 80mm | 50mm |



UNIVERSAL ENCLOSURES

2000 EMC

A range of high frequency EMC compliant enclosures for shielding electronic equipment.

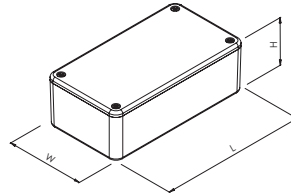
- Lid and Base moulded in ABS
- Graphite dark grey paint finish
- Electromagnetic Compatibility coating
- Lid mounted by four M3 machine screws
- Brass inserts in base for repeated removal of the lid
- Excellent properties for machining
- Integral mounting guides to accept 1.6mm PCB's
- PCB Adaptors (included) for horizontal PCB mounting



SPECIFICATION

| | |
|-------------------------------|--|
| <i>Materials</i> | <i>Lid and base high impact ABS</i> |
| <i>Operating Temperature</i> | <i>Resistant to temperatures of up to 85°C</i> |
| <i>Protection class</i> | <i>IP54</i> |
| <i>Standard colours</i> | <i>Graphite dark grey</i> |
| <i>Standard unit includes</i> | <i>Base & lid</i> |
| | <i>4x M3 machine screws</i> |
| | <i>PCB adaptors</i> |

| GREY | LENGTH | WIDTH | HEIGHT |
|---------------------------|--------------|--------------|-------------|
| <i>BIM2008/18-EMI/RFI</i> | <i>55mm</i> | <i>55mm</i> | <i>42mm</i> |
| <i>BIM2000/10-EMI/RFI</i> | <i>75mm</i> | <i>50mm</i> | <i>27mm</i> |
| <i>BIM2001/11-EMI/RFI</i> | <i>85mm</i> | <i>56mm</i> | <i>39mm</i> |
| <i>BIM2002/12-EMI/RFI</i> | <i>100mm</i> | <i>50mm</i> | <i>25mm</i> |
| <i>BIM2003/13-EMI/RFI</i> | <i>112mm</i> | <i>62mm</i> | <i>31mm</i> |
| <i>BIM2007/17-EMI/RFI</i> | <i>112mm</i> | <i>62mm</i> | <i>31mm</i> |
| <i>BIM2004/14-EMI/RFI</i> | <i>120mm</i> | <i>65mm</i> | <i>40mm</i> |
| <i>BIM2030/30-EMI/RFI</i> | <i>142mm</i> | <i>80mm</i> | <i>30mm</i> |
| <i>BIM2005/15-EMI/RFI</i> | <i>150mm</i> | <i>80mm</i> | <i>50mm</i> |
| <i>BIM2006/16-EMI/RFI</i> | <i>190mm</i> | <i>110mm</i> | <i>60mm</i> |
| <i>BIM2009/19-EMI/RFI</i> | <i>250mm</i> | <i>200mm</i> | <i>64mm</i> |



UNIVERSAL ENCLOSURES

UNIVERSAL
ENCLOSURES

2000 Deep Profile

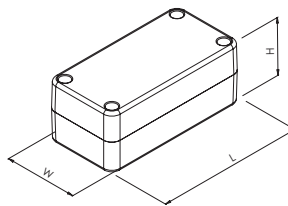
Multipurpose enclosures for application where tall electrical components require housing. The deep profile 2000 Series provides maximum utilisation of the internal volume.

- Deep profile Lid and base moulded in ABS
- Lid mounted by four M3 machine screws
- Brass inserts in base for repeated removal of the lid
- Polished finish for ease of cleaning
- Excellent properties for machining
- Integral mounting guides in base to accept 1.6mm PCB's
- PCB Adaptors (included) for horizontal PCB mounting



| SPECIFICATION | |
|------------------------|---|
| Materials | Lid and base high impact ABS |
| Operating Temperature | Resistant to temperatures of up to 85°C |
| Protection class | IP54 as standard |
| Standard colours | Yellow Grey(GY), Black(BK) |
| Colours to order | Ivory(WH), Light Grey(LG), White(BW) |
| Standard unit includes | Base & deep profile lid 4x M3 machine screws PCB adaptors |

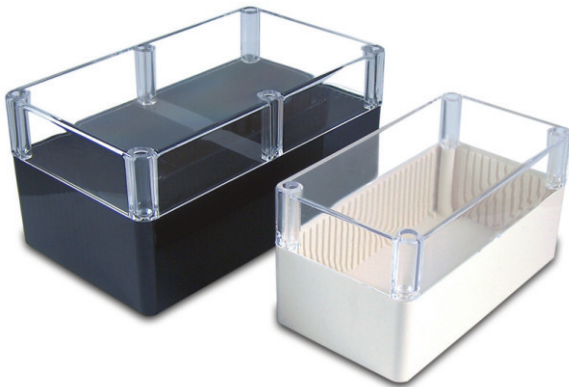
| GREY | BLACK | LENGTH | WIDTH | HEIGHT |
|------------------|--------------------|--------|-------|--------|
| BIM2002/22-GY/GY | BIM2002/22-BLK/BLK | 100mm | 50mm | 40mm |
| BIM2004/24-GY/GY | BIM2004/24-BLK/BLK | 120mm | 65mm | 60mm |
| BIM2005/25-GY/GY | BIM2005/25-BLK/BLK | 150mm | 80mm | 76mm |
| BIM2006/26-GY/GY | BIM2006/26-BLK/BLK | 190mm | 110mm | 90mm |



2000 Deep Profile Clear Lid

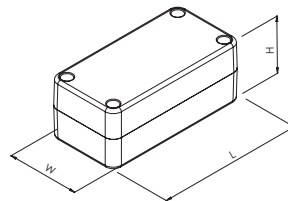
Extensive range of electronic enclosures for applications that require visible electronics and high profile components. Suitable for both electronic and electrical applications.

- Deep profile lid moulded in transparent high impact ABS
- Lid mounted by four M3 machine screws
- Brass inserts in base for repeated removal of the lid
- Polished finish for ease of cleaning
- Integral mounting guides in base to accept 1.6mm PCB's
- PCB Adaptors (included) for horizontal PCB mounting



| SPECIFICATION | |
|------------------------|---|
| Materials | Base high impact ABS Lid transparent high impact ABS |
| Operating Temperature | Resistant to temperatures of up to 85°C |
| Protection class | IP54 |
| Standard colours | Yellow Grey(GY), Black(BK) |
| Colours to order | Ivory(WH), Light Grey(LG), White(BW) |
| Standard unit includes | Base & clear deep profile lid 4x M3 machine screws PCB adaptors |

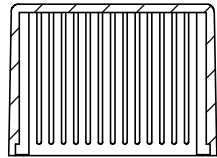
| GREY | BLACK | LENGTH | WIDTH | HEIGHT |
|-------------------|--------------------|--------|-------|--------|
| BIM2002/22-GY/CLR | BIM2002/22-BLK/CLR | 100mm | 50mm | 40mm |
| BIM2004/24-GY/CLR | BIM2004/24-BLK/CLR | 120mm | 65mm | 60mm |
| BIM2005/25-GY/CLR | BIM2005/25-BLK/CLR | 150mm | 80mm | 76mm |
| BIM2006/26-GY/CLR | BIM2006/26-BLK/CLR | 190mm | 110mm | 90mm |



OVERALL ASSEMBLY DIMENSIONS:

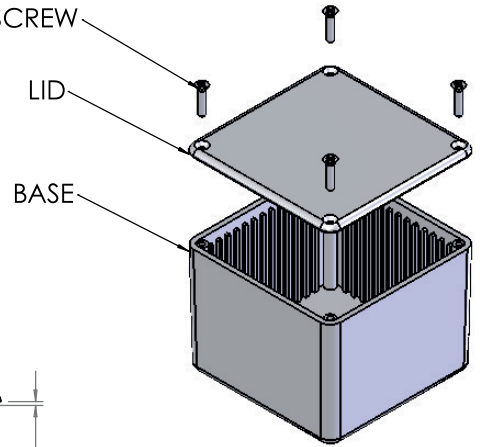
EXTERNAL - 55 x 55 x 42

INTERNAL - 51 x 51 x 37



SECTION B-B

CSK SELF TAPPING SCREW



ISO VIEW



A

A

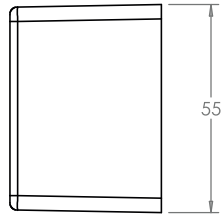
B

B

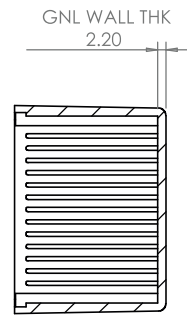
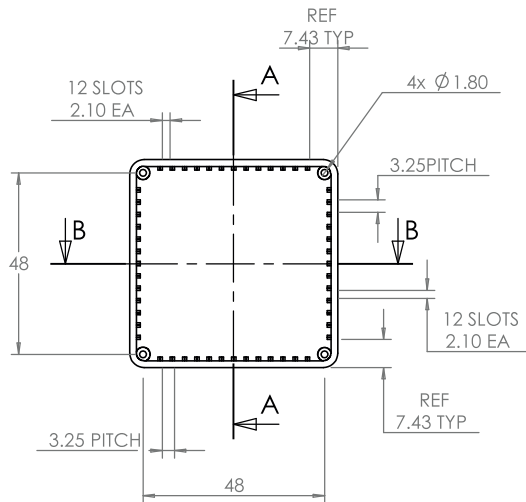
C

C

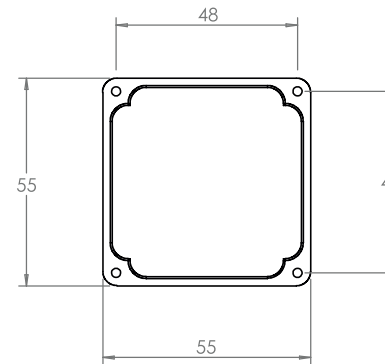
D



BASE



SECTION A-A



LID



UNLESS OTHERWISE SPECIFIED:
DIMENSIONS ARE IN MILLIMETERS

FINISH.
SMOOTH

DO NOT SCALE DRAWING

REVISION. 0

TITLE: ASSEMBLY DRG FOR 2008,18

| | | | |
|-------|------------|--------|----------|
| DRAWN | NAME | SIGNED | DATE |
| CHK'D | S.HARDINGE | SJH | 07/10/05 |

MATERIAL.
ABS

DWG NO. 2008,18

A4

PROJECTION.

SCALE. 1 : 2

SHEET 1 OF 1

1

2

3

1

2

3

4

5

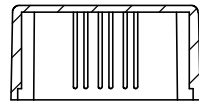
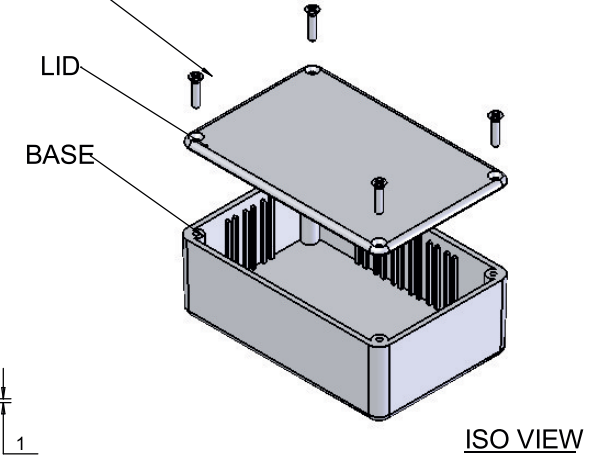
6

OVERALL ASSEMBLY DIMENSIONS:

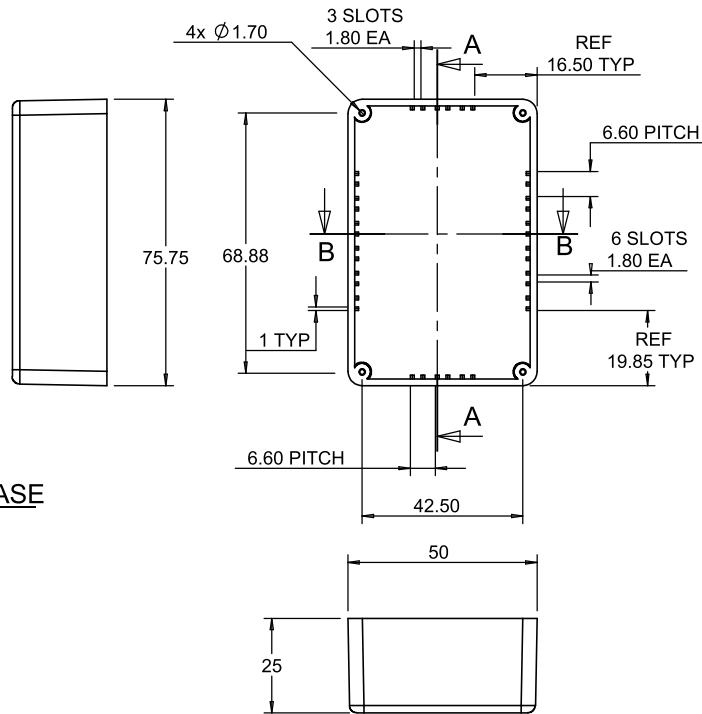
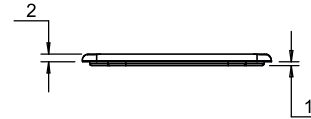
EXTERNAL - 75 x 50 x 27

INTERNAL - 71.4 x 46.4 x 22.4

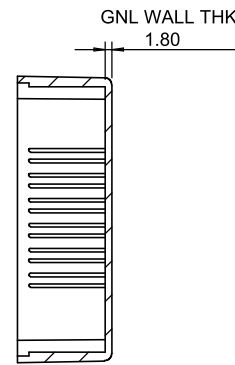
CSK SELF TAPPING SCREW



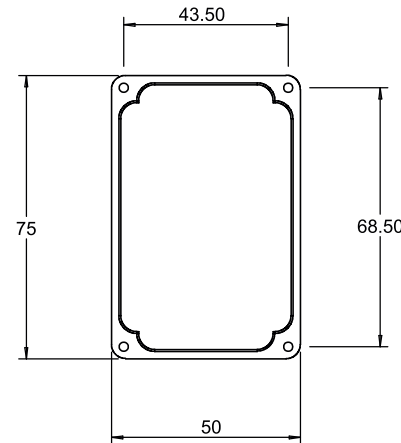
SECTION B-B



BASE



SECTION A-A



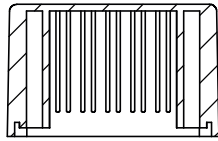
LID

| | | | | | |
|-------|-----------|---|----------|---------------------------------|-----------------|
| | | UNLESS OTHERWISE SPECIFIED: DIMENSIONS ARE IN MILLIMETERS | | DO NOT SCALE DRAWING | REVISION. 0 |
| | | FINISH. SMOOTH | | TITLE: ASSEMBLY DRG FOR 2000/10 | |
| DRAWN | NAME | SIGNED | DATE | MATERIAL. ABS | DWG NO. 2000,10 |
| CHK'D | D.SAMLLEY | DS | 28/11/05 | PROJECTION. | A4 |
| | | | | SCALE. 1:2 | SHEET 1 OF 1 |

OVERALL ASSEMBLY DIMENSIONS:

EXTERNAL - 85 x 56 x 39

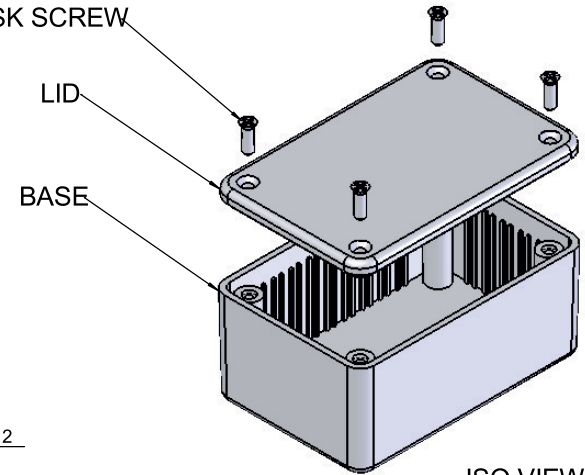
INTERNAL - 81.4 x 52.4 x 35.4



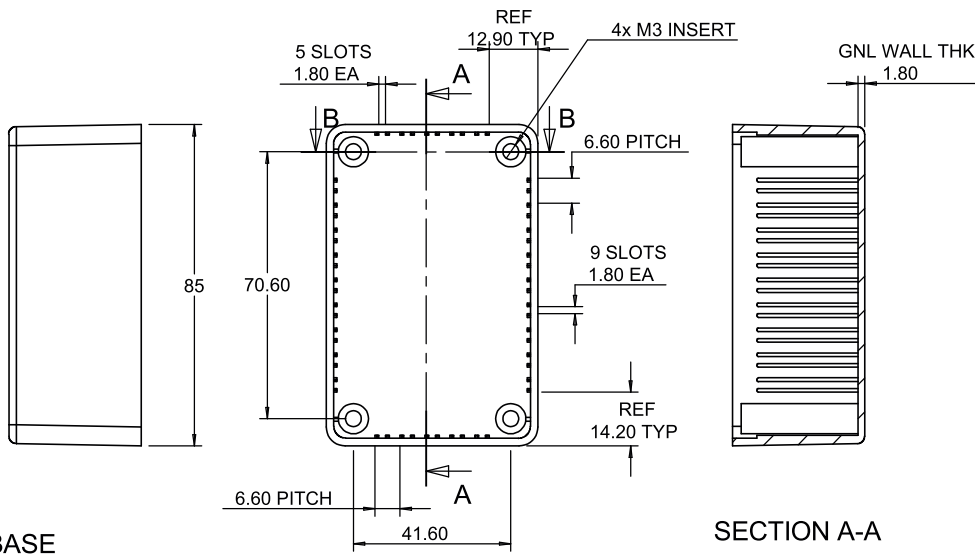
SECTION B-B



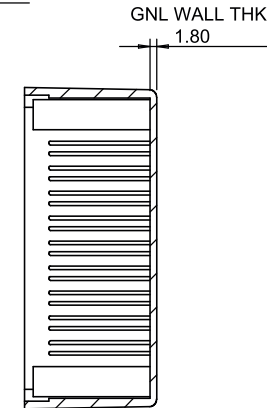
M3 CSK SCREW



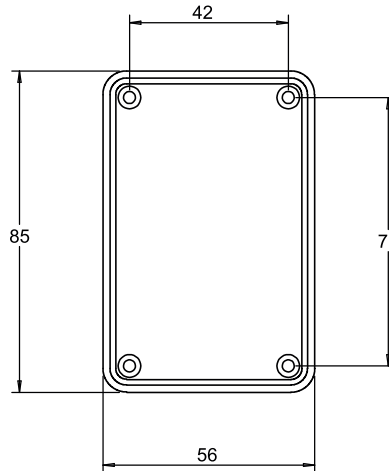
ISO VIEW



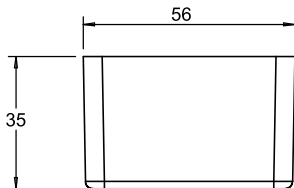
BASE



SECTION A-A



LID

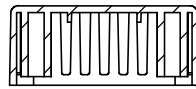
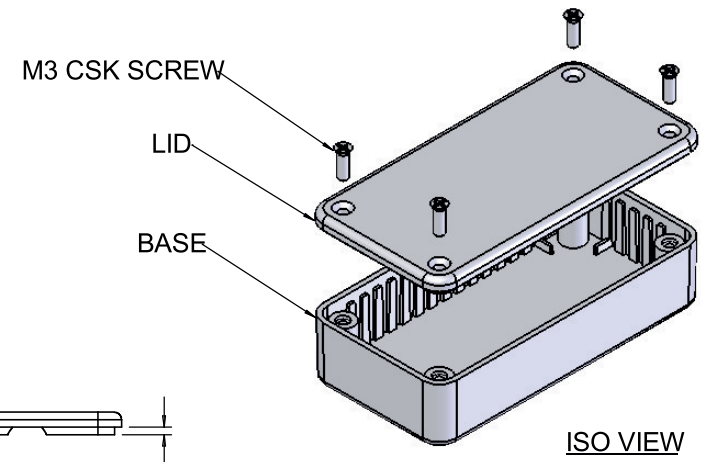


| | | | | | | | |
|-------|--------------------|---------------|------------------|--|------------|---|-------------|
| | | | | UNLESS OTHERWISE SPECIFIED: DIMENSIONS ARE IN MILLIMETERS | | DO NOT SCALE DRAWING | REVISION. 0 |
| | | | | FINISH. SMOOTH | | TITLE: ASSEMBLY DRG FOR 2001/11 | |
| DRAWN | NAME S.HARDINGE | SIGNED SJH | DATE 30/09/05 | MATERIAL. ABS | DWG NO. | 2001,11 | A4 |
| CHK'D | - | - | - | PROJECTION. | SCALE. 1:2 | SHEET 1 OF 1 | |

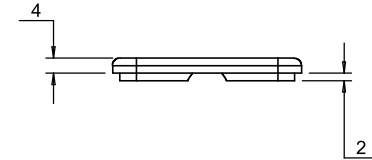
OVERALL ASSEMBLY DIMENSIONS:

EXTERNAL - 100 x 50 x 25

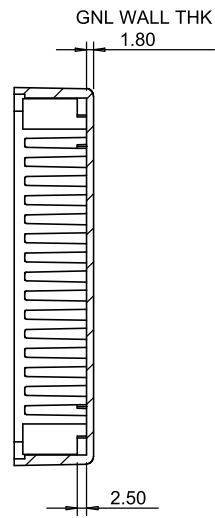
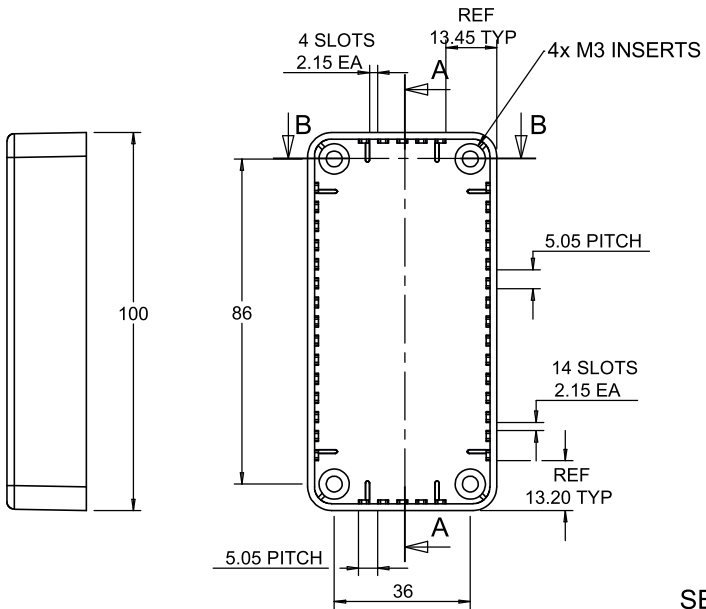
INTERNAL - 96.4 x 46.4 x 21.4



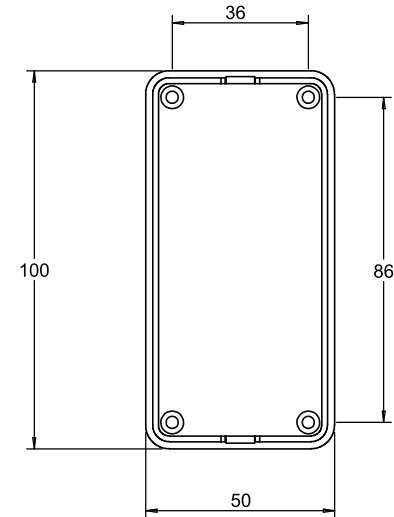
SECTION B-B



ISO VIEW

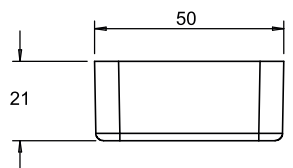


SECTION A-A



LID

BASE



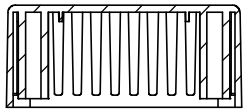
| | | | | | |
|-------|-----------------|---|---------------|---------------------------------|-----------------|
| | | UNLESS OTHERWISE SPECIFIED: DIMENSIONS ARE IN MILLIMETERS | | DO NOT SCALE DRAWING | REVISION. 0 |
| | | FINISH. SMOOTH | | TITLE: ASSEMBLY DRG FOR 2002/12 | |
| DRAWN | NAME S.HARDINGE | SIGNED SJH | DATE 04/10/05 | MATERIAL. ABS | DWG NO. 2002,12 |
| CHK'D | - | - | - | PROJECTION. | SCALE: 1:2 |
| | | | | SHEET 1 OF 1 | |

A4

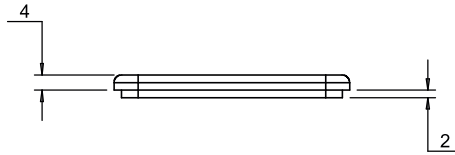
OVERALL ASSEMBLY DIMENSIONS:

EXTERNAL - 112 x 62 x 31

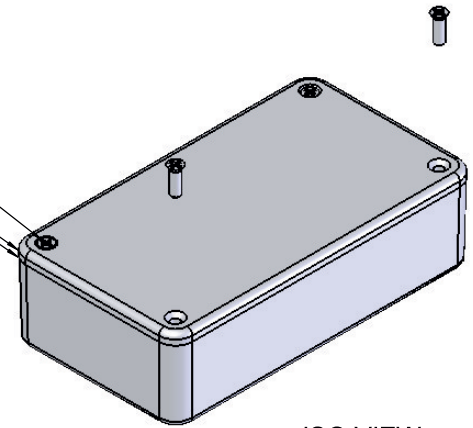
INTERNAL - 108.4 x 58.4 x 27.4



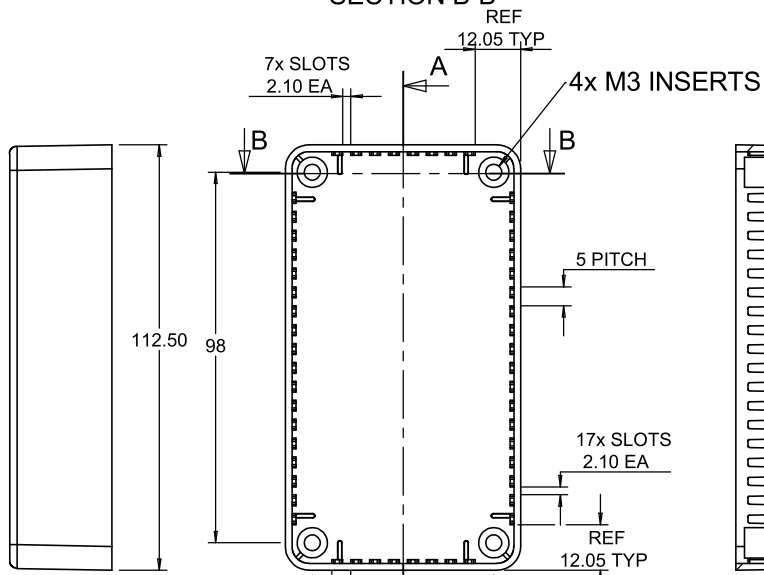
SECTION B-B



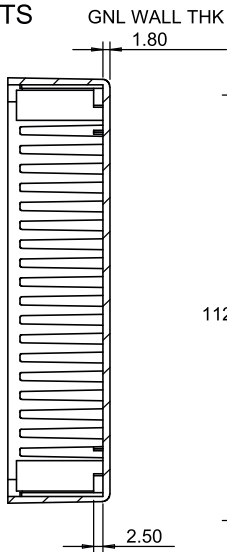
M3 CSK SCREW
LID
BASE



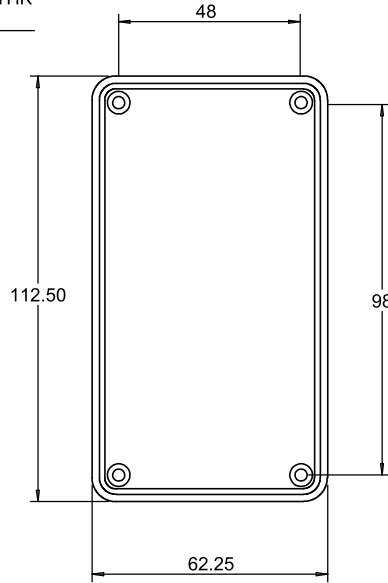
ISO VIEW



BASE



SECTION A-A



LID

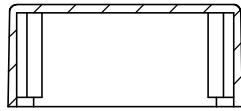
| | | | | | |
|-------|-----------------|--|---------------|---------------------------------|-----------------|
| | | UNLESS OTHERWISE SPECIFIED DIMENSIONS ARE IN MILLIMETERS | | DO NOT SCALE DRAWING | REVISION. 0 |
| | | FINISH. SMOOTH | | TITLE: ASSEMBLY DRG FOR 2003,13 | |
| DRAWN | NAME S.HARDINGE | SIGNED SJH | DATE 04/10/05 | MATERIAL. ABS | DWG NO. 2003,13 |
| CHK'D | - | - | - | PROJECTION. | SCALE. 1:2 |
| | | | | SHEET 1 OF 1 | |

A4

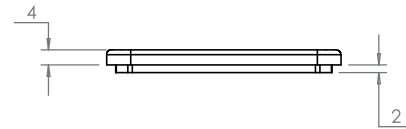
OVERALL ASSEMBLY DIMENSIONS:

EXTERNAL - 112 x 62 x 31

INTERNAL - 107.4 x 57.4 x 27



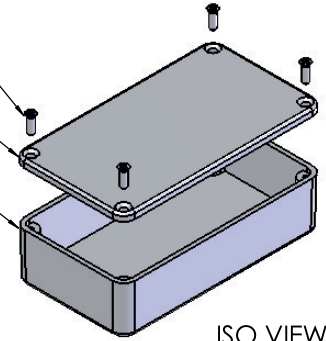
SECTION B-B



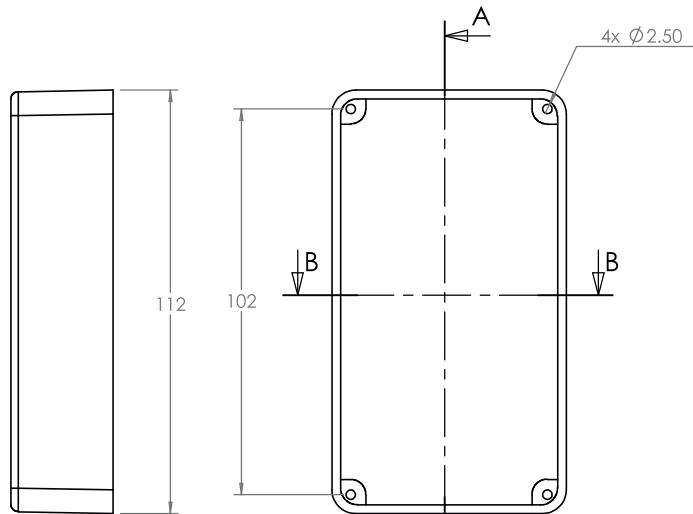
CSK SELF TAPPING SCREWS

LID

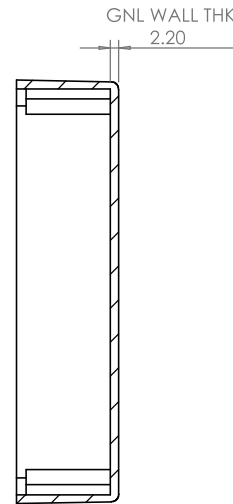
BASE



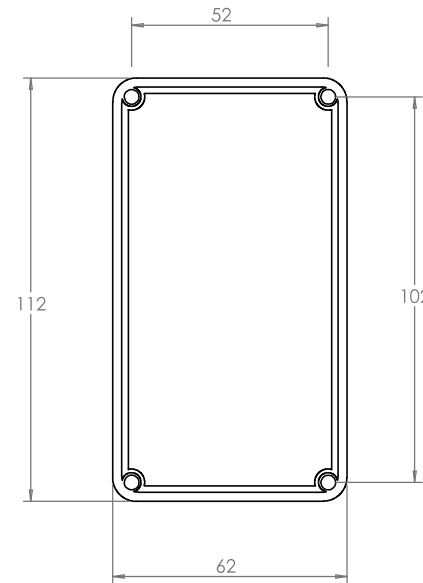
ISO VIEW
1:3



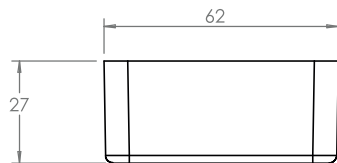
BASE



SECTION A-A



LID



UNLESS OTHERWISE SPECIFIED:
DIMENSIONS ARE IN MILLIMETERS

DO NOT SCALE DRAWING

REVISION. 0

FINISH.
MATT

TITLE:

ASSEMBLY DRG FOR 2007/17

| | | | |
|-------|------------|--------|----------|
| DRAWN | NAME | SIGNED | DATE |
| CHK'D | S.HARDINGE | SJH | 06/10/05 |

MATERIAL.
ABS

DWG NO.

2007,17

A4

PROJECTION.

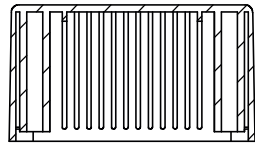
SCALE. 1 : 2

SHEET 1 OF 1

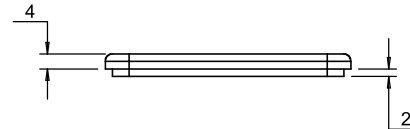
OVERALL ASSEMBLY DIMENSIONS:

EXTERNAL - 120 x 65 x 40

INTERNAL - 116.4 x 61.4 x 36.2



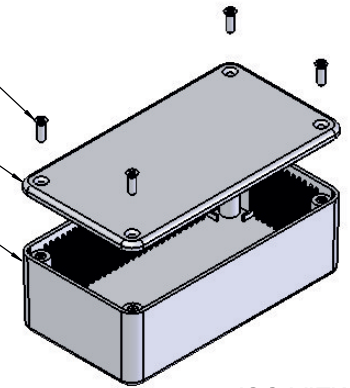
SECTION A-A



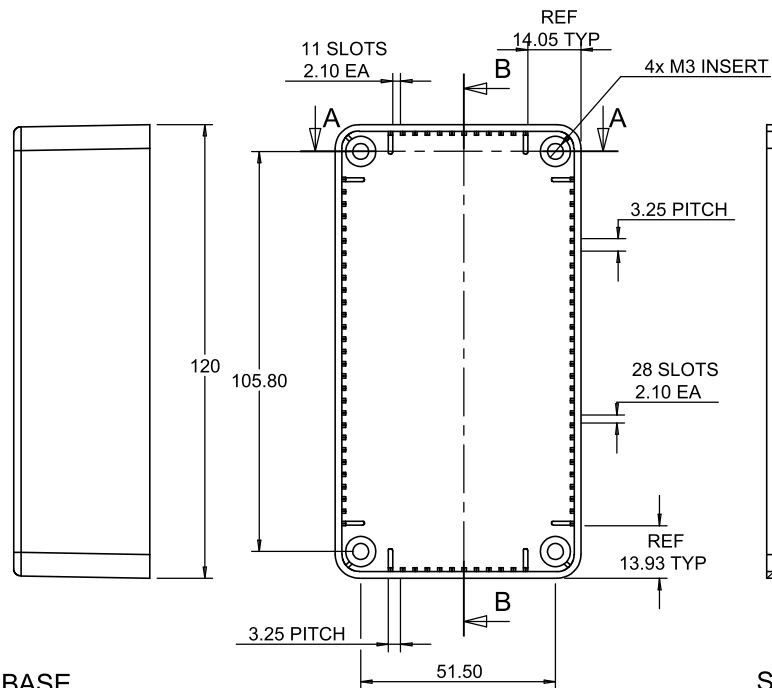
M3 CSK SCREW

LID

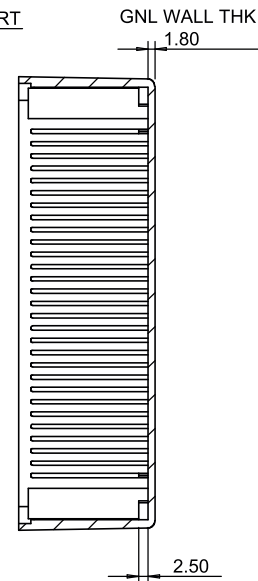
BASE



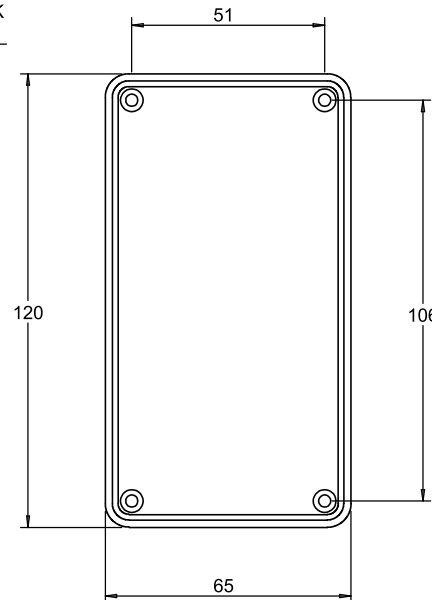
ISO VIEW
1:3



BASE



SECTION B-B



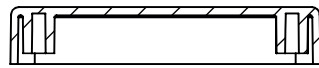
LID

| | | | | | | | |
|-------|-----------------|------------|---------------|---|-----------------|---------------------------------|-------------|
| | | | | UNLESS OTHERWISE SPECIFIED: DIMENSIONS ARE IN MILLIMETERS | | DO NOT SCALE DRAWING | REVISION. 0 |
| | | | | FINISH. SMOOTH | | TITLE: ASSEMBLY DRG FOR 2004/14 | |
| DRAWN | NAME S.HARDINGE | SIGNED SJH | DATE 06/10/05 | MATERIAL. ABS | DWG NO. 2004,14 | A4 | |
| CHK'D | - | - | - | PROJECTION. | SCALE. 1:2 | SHEET 1 OF 1 | |

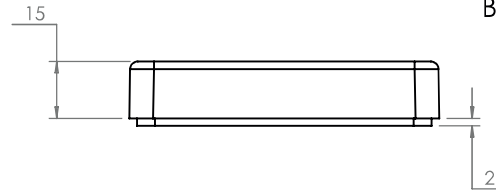
OVERALL ASSEMBLY DIMENSIONS:

EXTERNAL - 144 x 82 x 30

INTERNAL - 137.6 x 75.6 x 25.6



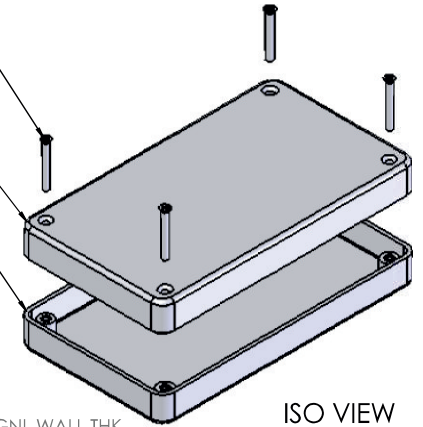
SECTION B-B



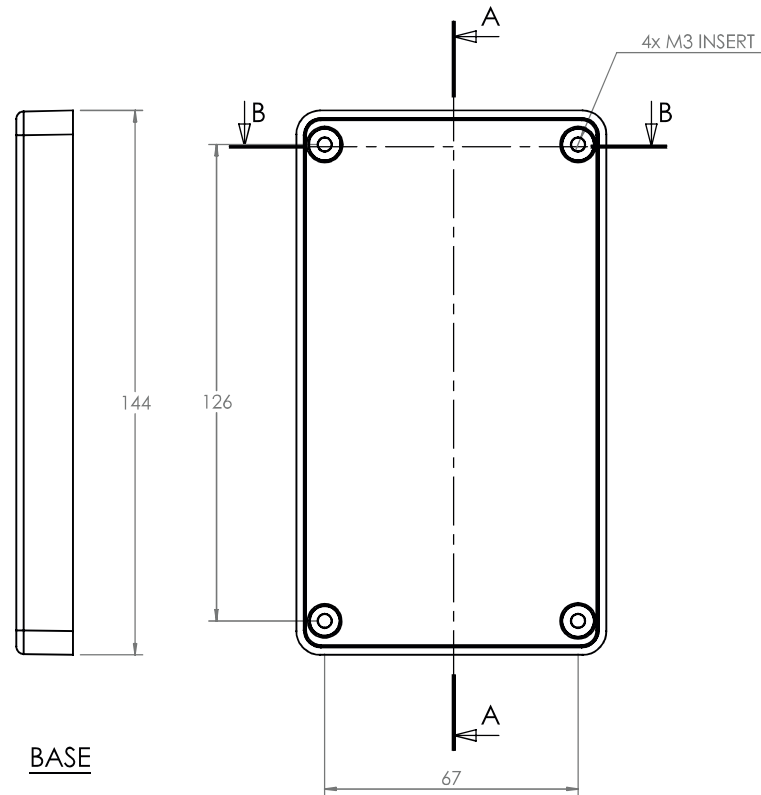
M3 CSK SCREW

LID

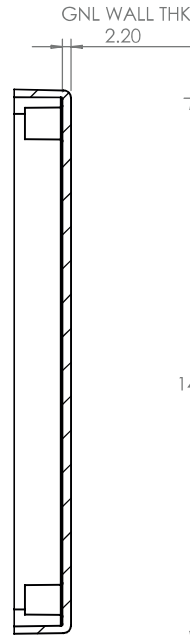
BASE



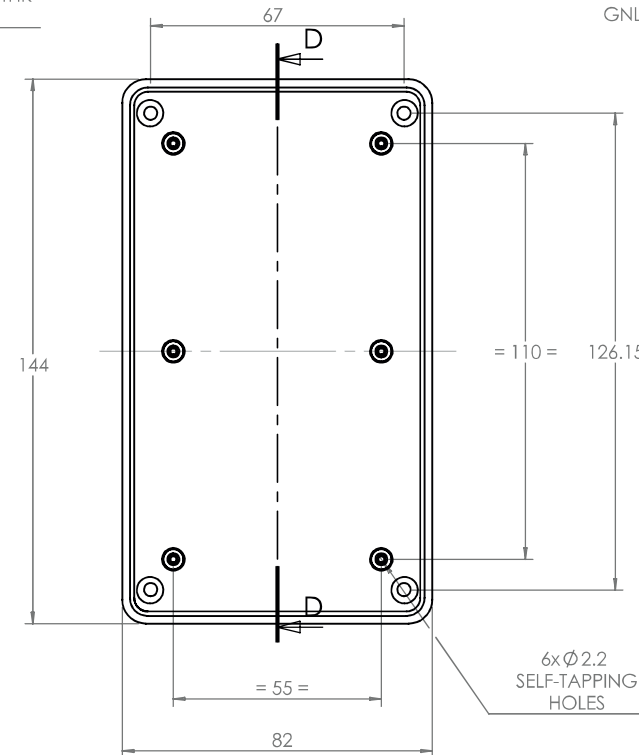
ISO VIEW
1:3



BASE



SECTION A-A



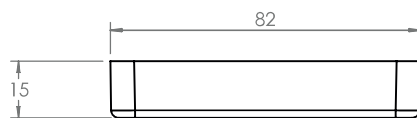
GNL WALL THK
3.2

6x Ø2.2
SELF-TAPPING
HOLES

SECTION D-D

LID

4.50 TYP
PILLAR
HEIGHT



UNLESS OTHERWISE SPECIFIED:
DIMENSIONS ARE IN MILLIMETERS

DO NOT SCALE DRAWING

REVISION. A 06/04/10

FINISH.
SMOOTH

TITLE:

ASSEMBLY DRG FOR 2030/30

| | | | |
|-------|------------|--------|----------|
| DRAWN | NAME | SIGNED | DATE |
| CHK'D | S.HARDINGE | SJH | 07/10/05 |

MATERIAL.
ABS

DWG NO.

2030,30

A4

PROJECTION.



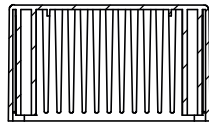
SCALE: 1 : 2

SHEET 1 OF 1

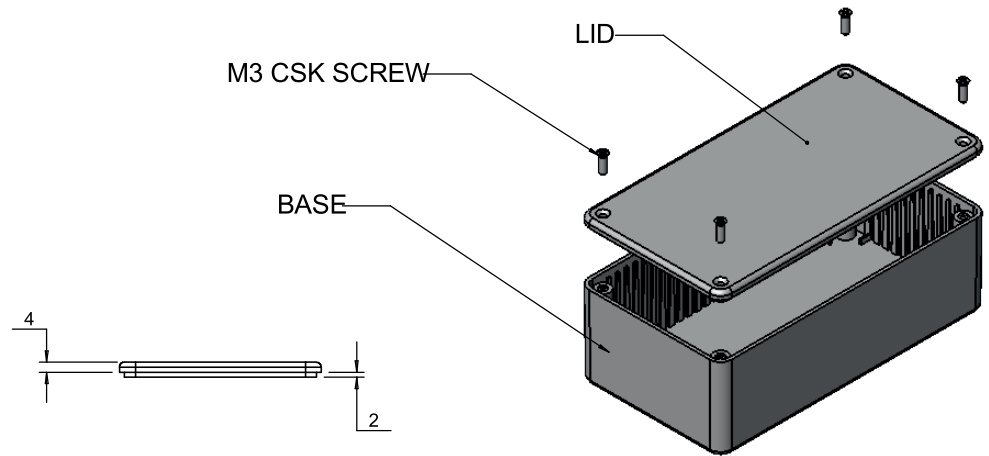
OVERALL ASSEMBLY DIMENSIONS:

EXTERNAL - 150 x 80 x 50

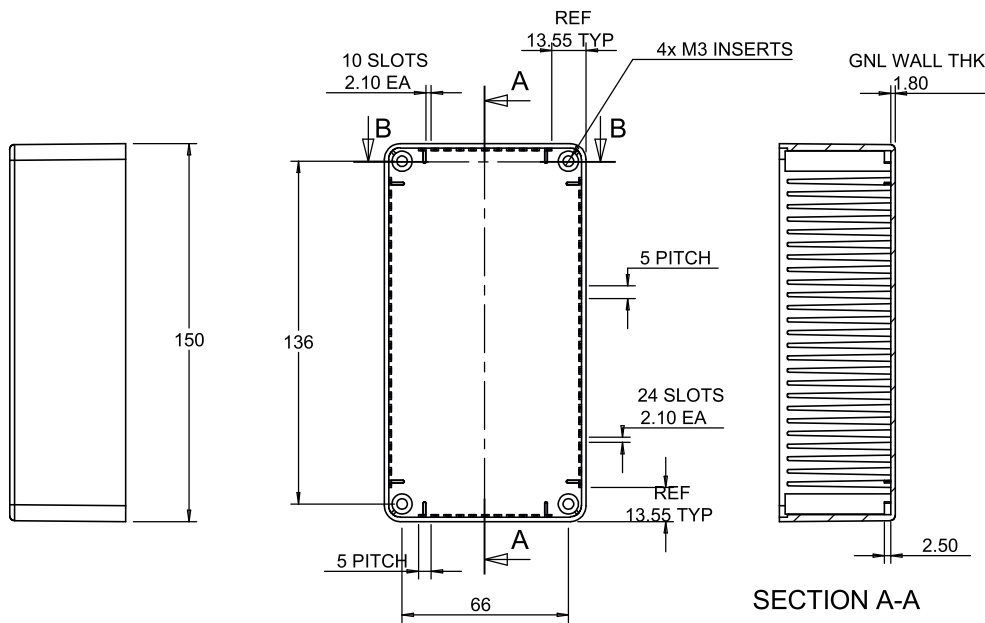
INTERNAL - 146.4 x 76.4 x 46.5



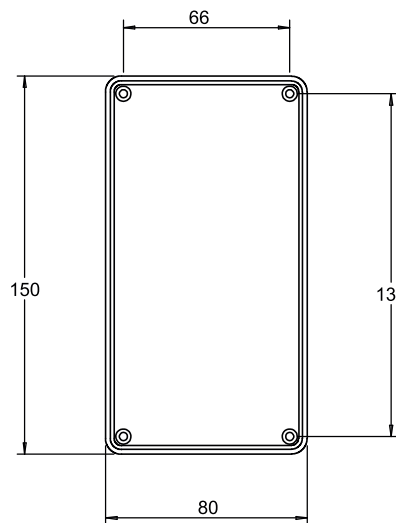
SECTION B-B



ISO VIEW
1:3

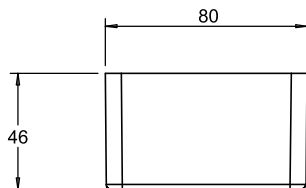


SECTION A-A



LID

BASE



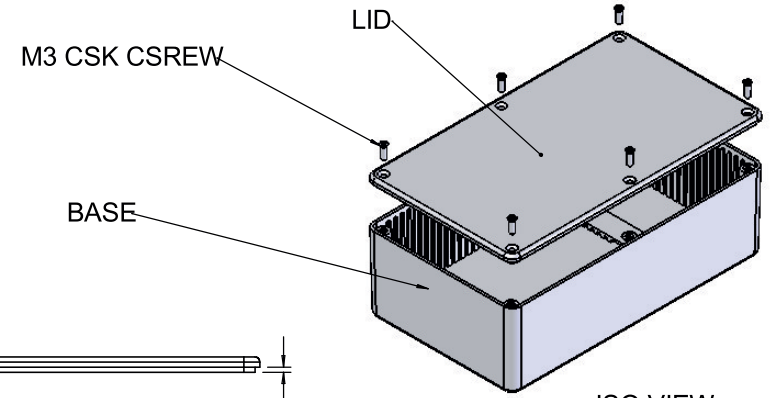
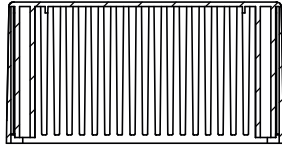
| | | | | | | | |
|------------------|--|------------|---------------|--|--|---------------------------------|--------------|
| | | | | UNLESS OTHERWISE SPECIFIED DIMENSIONS ARE IN MILLIMETERS | | DO NOT SCALE DRAWING | REVISION. 0 |
| | | | | FINISH. SMOOTH | | TITLE: ASSEMBLY DRG FOR 2005,15 | |
| DRAWN S.HARDINGE | | SIGNED SJH | DATE 05/10/05 | MATERIAL. ABS | | DWG NO. 2005,15 | A4 |
| CHK'D - | | - | - | PROJECTION. | | SCALE: 1:3 | SHEET 1 OF 1 |

OVERALL ASSEMBLY DIMENSIONS:

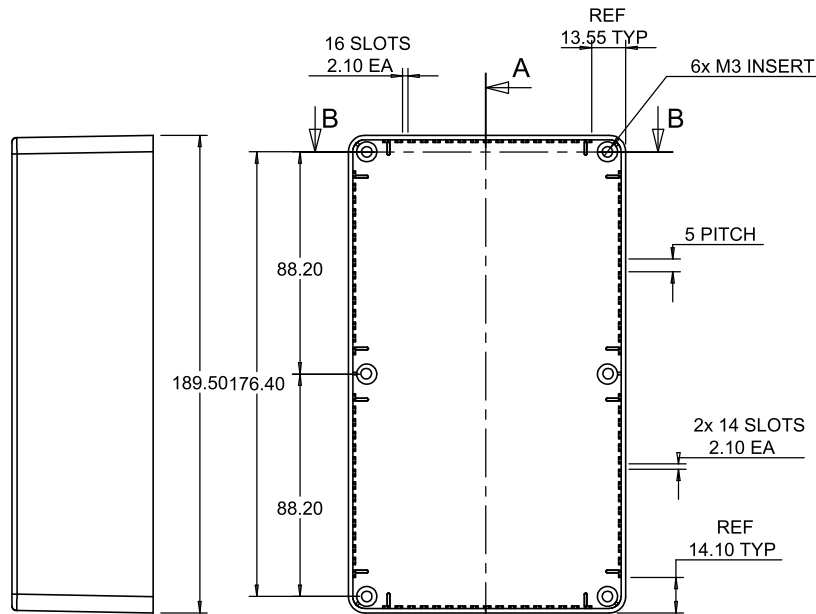
EXTERNAL - 190 x 110 x 60

INTERNAL - 186.4 x 106.4 x 56.4

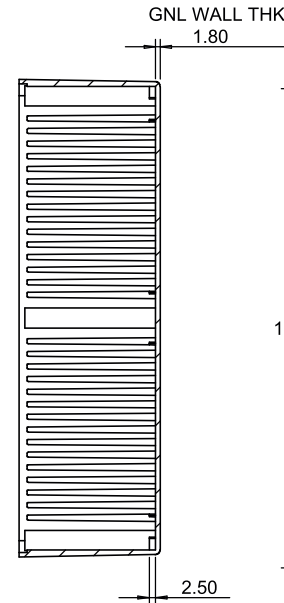
SECTION B-B



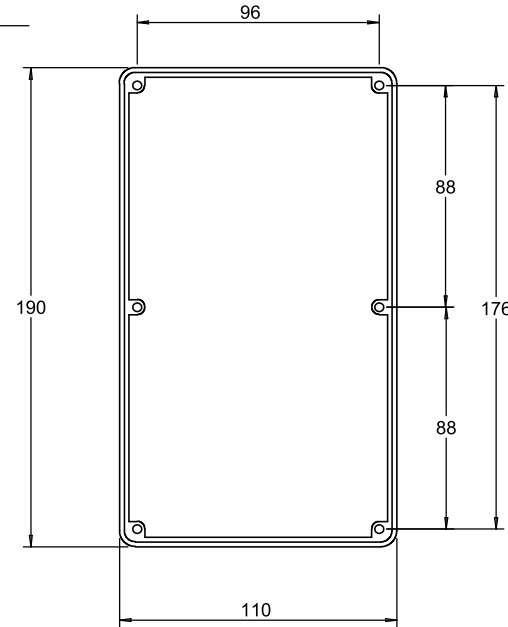
ISO VIEW
1:4



BASE



SECTION A-A



LID

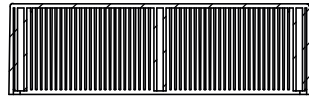
| | | | | | |
|-------|--------------------|--|-----------|-------------------------|---------------------------|
| | | UNLESS OTHERWISE SPECIFIED: DIMENSIONS ARE IN MILLIMETERS | | DO NOT SCALE DRAWING | REVISION. 0 |
| | | FINISH. SMOOTH | | TITLE: TITLE | |
| DRAWN | NAME S.HARDINGE | SIGNED SJH | DATE - | MATERIAL. ABS | DWG NO. 2006,16 |
| CHK'D | - | - | - | PROJECTION. | SCALE: 1:2 |
| | | | | | A4 |
| | | | | | SHEET 1 OF 1 |

OVERALL ASSEMBLY DIMENSIONS:

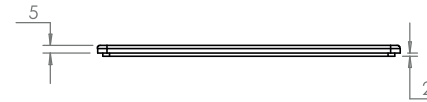
EXTERNAL - 250 x 200 x 65

INTERNAL - 244 x 194 x 60.2

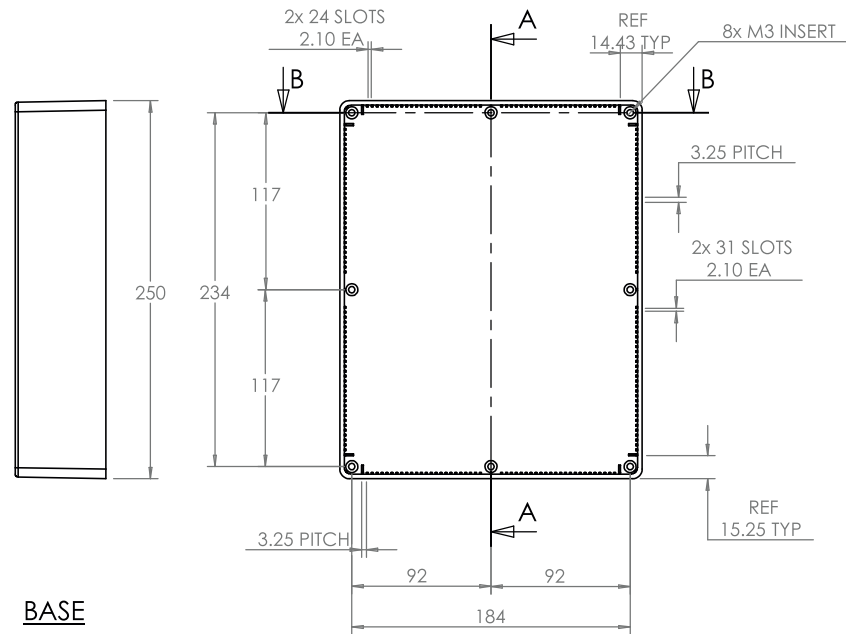
M3 CSK SCREW
LID
BASE



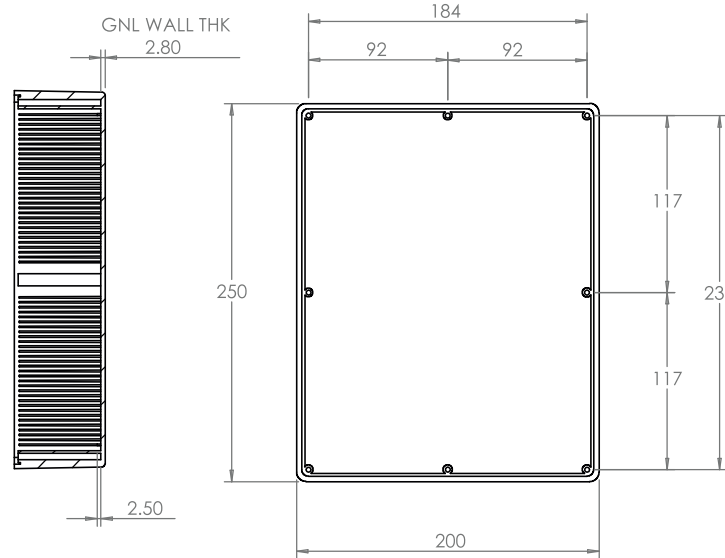
SECTION B-B



ISO VIEW



BASE



SECTION A-A



LID



UNLESS OTHERWISE SPECIFIED:
DIMENSIONS ARE IN MILLIMETERS

DO NOT SCALE DRAWING

REVISION. 0

FINISH.
SMOOTH

TITLE:
ASSEMBLY DRG FOR 2009/19

| | NAME | SIGNED | DATE |
|-------|------------|--------|----------|
| DRAWN | S.HARDINGE | SJH | 10/10/05 |
| CHK'D | - | - | - |

MATERIAL.
ABS

PROJECTION.

DWG NO. 2009,19

SCALE. 1 : 5

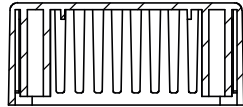
SHEET 1 OF 1

A4

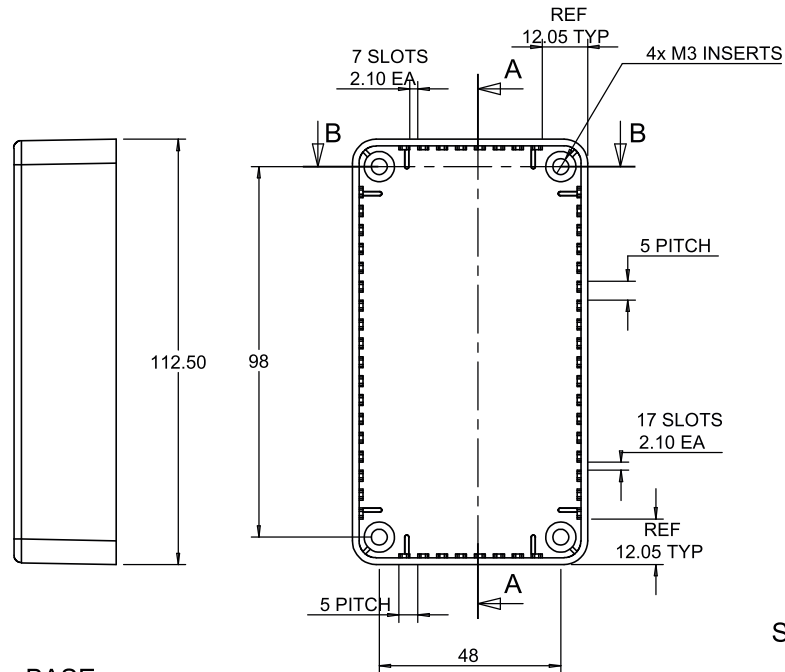
OVERALL ASSEMBLY DIMENSIONS:

EXTERNAL - 112 (131.5) x 62 x 31

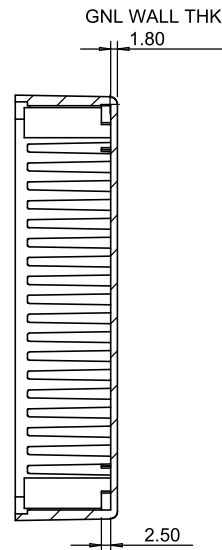
INTERNAL 108.4 x 58.4 x 27.4



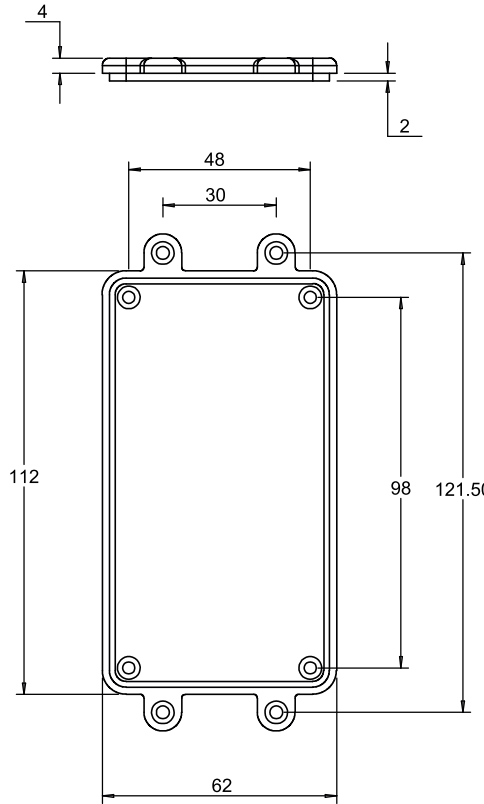
SECTION B-B



BASE



SECTION A-A



LID

M3 CSK SCREW

LID

BASE

ISO VIEW



UNLESS OTHERWISE SPECIFIED:
DIMENSIONS ARE IN MILLIMETERS

DO NOT SCALE DRAWING REVISION. 0

TITLE:

ASSEMBLY DRG FOR 2003,13-LUG

| | | | |
|-------|------------|--------|----------|
| | NAME | SIGNED | DATE |
| DRAWN | S.HARDINGE | SJH | 04/10/05 |
| CHK'D | - | - | - |

FINISH.
SMOOTH

MATERIAL.
ABS

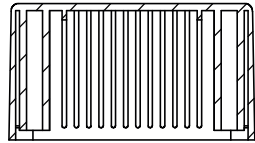
PROJECTION.

| | | |
|------------|--------------------|----|
| DWG NO. | 2003,13-LUG | A4 |
| SCALE: 1:2 | SHEET 1 OF 1 | |

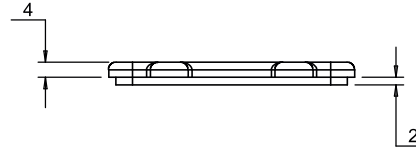
OVERALL ASSEMBLY DIMENSIONS:

EXTERNAL - 120 (139) x 65 x 40

INTERNAL - 116.4 x 61.4 x 36.2



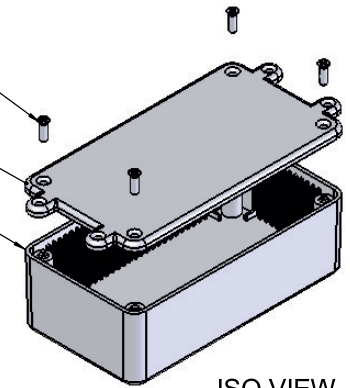
SECTION A-A



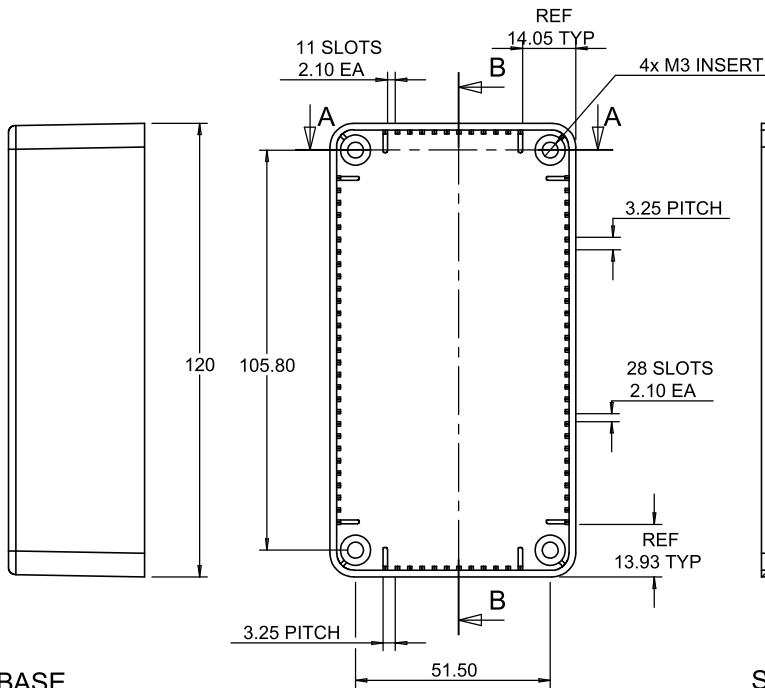
M3 CSK SCREW

LID

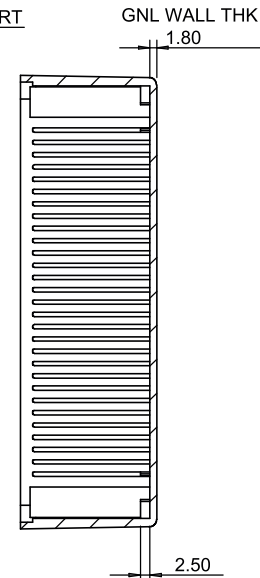
BASE



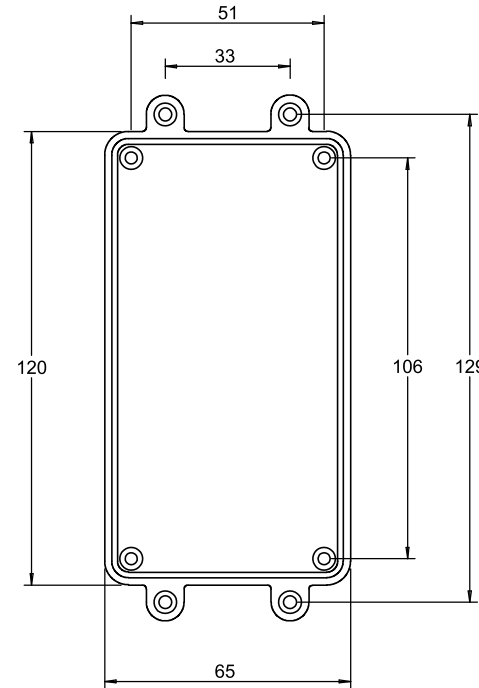
ISO VIEW
1:3



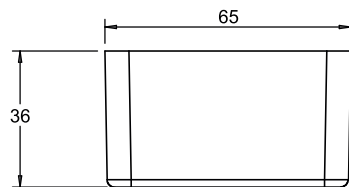
BASE



SECTION B-B



LID

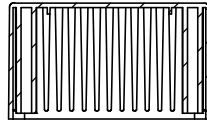


| | | | | | | | |
|-------|--------------------|---------------|------------------|--|------------|---|-------------|
| | | | | UNLESS OTHERWISE SPECIFIED: DIMENSIONS ARE IN MILLIMETERS | | DO NOT SCALE DRAWING | REVISION. 0 |
| | | | | FINISH. SMOOTH | | TITLE: ASSEMBLY DRG FOR 2004/14-LUG | |
| DRAWN | NAME S.HARDINGE | SIGNED SJH | DATE 06/10/05 | MATERIAL. ABS | DWG NO. | 2004,14-LUG | A4 |
| CHK'D | - | - | - | PROJECTION. | SCALE. 1:2 | SHEET 1 OF 1 | |

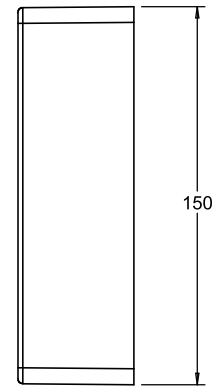
OVERALL ASSEMBLY DIMENSIONS:

EXTERNAL - 150 (171.5) x 80 x 50

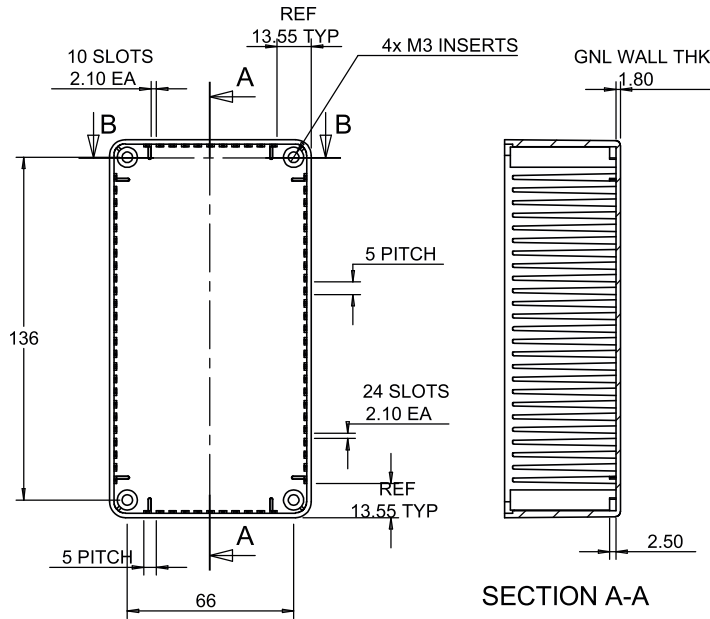
INTERNAL - 146.4 x 76.4 x 46.5



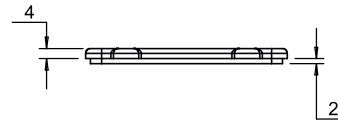
SECTION B-B



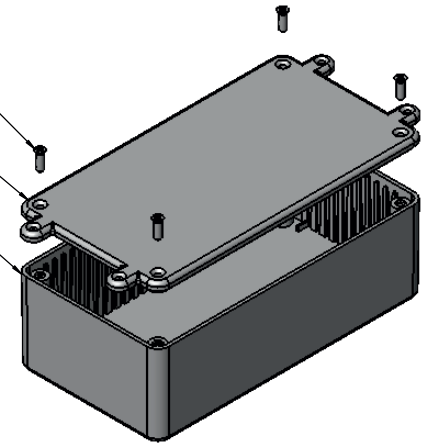
BASE



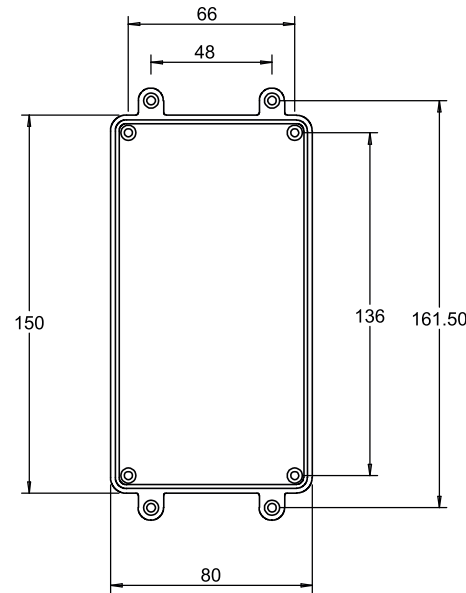
SECTION A-A



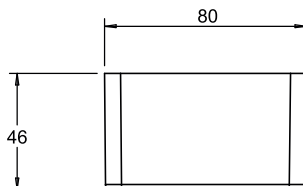
M3 CSK SCREW



ISO VIEW



LID



| | | | | | |
|-------|------------|---|----------|-------------------------------------|---------------------|
| | | UNLESS OTHERWISE SPECIFIED, DIMENSIONS ARE IN MILLIMETERS | | DO NOT SCALE DRAWING | REVISION. 0 |
| | | FINISH. SMOOTH | | TITLE: ASSEMBLY DRG FOR 2005,15-LUG | |
| DRAWN | NAME | SIGNED | DATE | MATERIAL. ABS | DWG NO. 2005,15-LUG |
| CHK'D | S.HARDINGE | SJH | 05/10/05 | PROJECTION. | A4 |
| | | | | SCALE. 1 : 3 | SHEET 1 OF 1 |

OVERALL ASSEMBLY DIMENSIONS:

EXTERNAL - 100 x 50 x 40

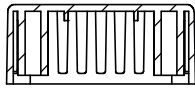
INTERNAL - 96.4 x 46.4 x 36.4

M3 CSK SCREW

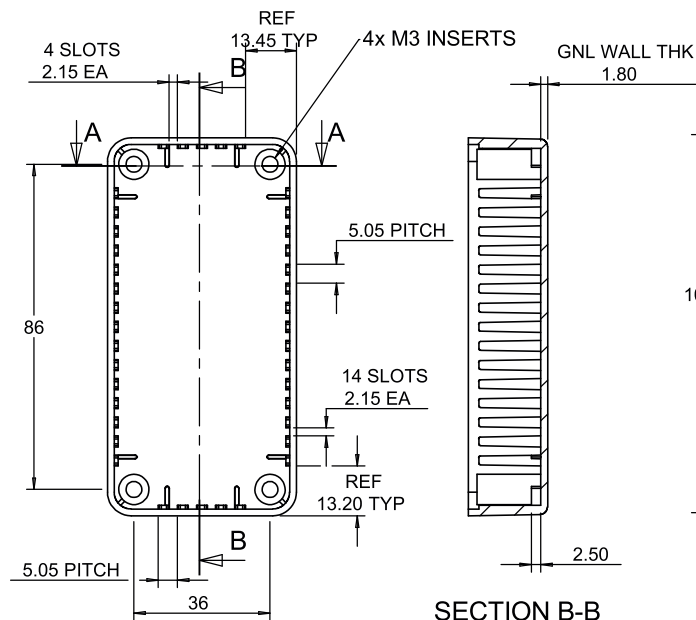
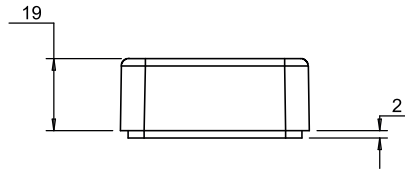
LID

BASE

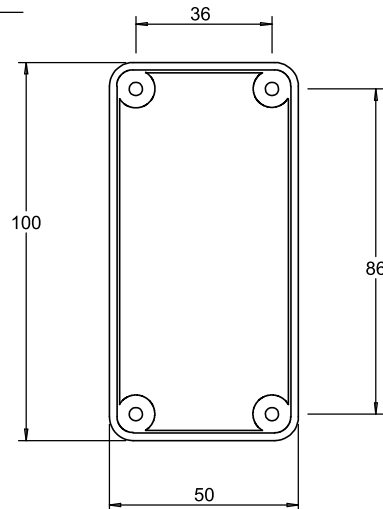
ISO VIEW



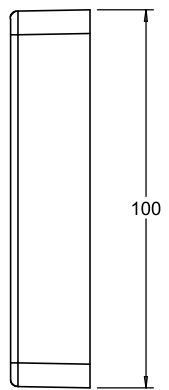
SECTION A-A



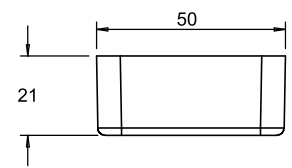
SECTION B-B



LID



BASE



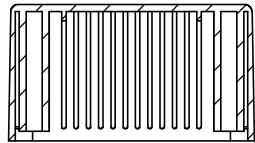
| | | | | | |
|-------------|------------|---|----------|---------------------------------|--------------|
| | | UNLESS OTHERWISE SPECIFIED: DIMENSIONS ARE IN MILLIMETERS | | DO NOT SCALE DRAWING | REVISION. 0 |
| | | FINISH. SMOOTH | | TITLE: ASSEMBLY DRG FOR 2002/22 | |
| DRAWN | NAME | SIGNED | DATE | MATERIAL. | DWG NO. |
| CHK'D | S.HARDINGE | SJH | 03/10/05 | ABS | 2002,22 |
| PROJECTION. | | | | SCALE: 1:2 | SHEET 1 OF 1 |

A4

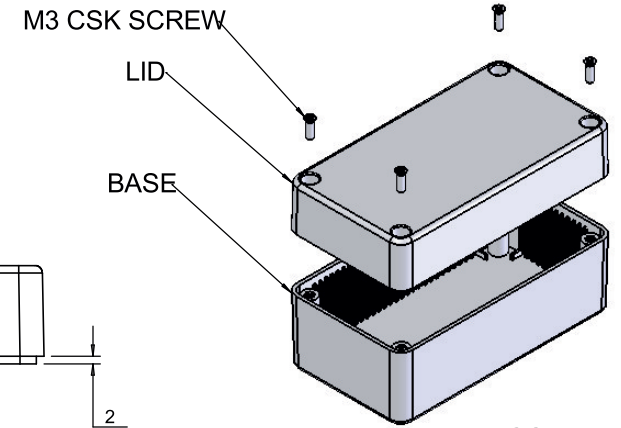
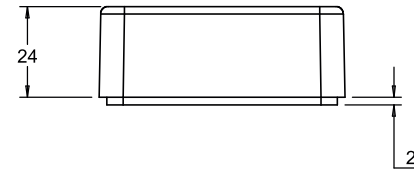
OVERALL ASSEMBLY DIMENSIONS:

EXTERNAL - 120 x 65 x 60

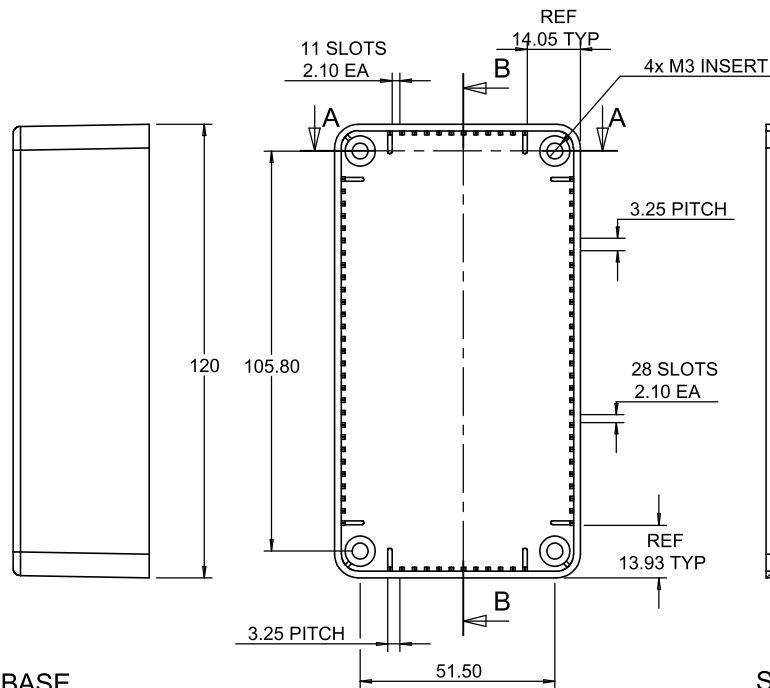
INTERNAL - 116.4 x 61.4 x 56.4



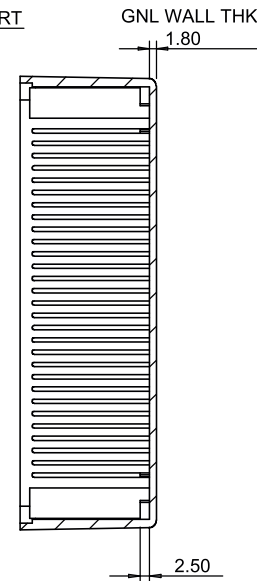
SECTION A-A



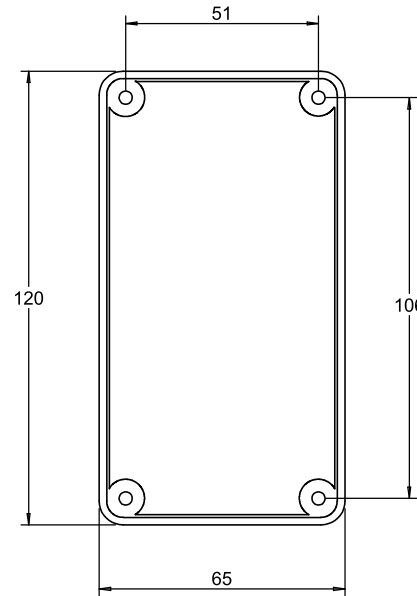
ISO VIEW
1:3



BASE



SECTION B-B



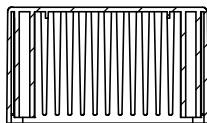
LID

| | | | | | | | |
|-------|------|--------|------|---|------------------------|--|-------------|
| | | | | UNLESS OTHERWISE SPECIFIED: DIMENSIONS ARE IN MILLIMETERS | | DO NOT SCALE DRAWING | REVISION: 0 |
| | | | | FINISH: SMOOTH | | TITLE: ASSEMBLY DRG FOR 2004/24 | |
| DRAWN | NAME | SIGNED | DATE | MATERIAL: ABS | DWG NO. 2004,24 | A4 | |
| CHK'D | - | - | - | PROJECTION: | SCALE: 1:2 | SHEET 1 OF 1 | |

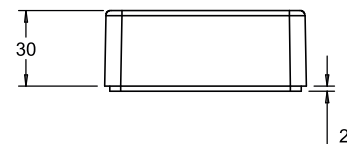
OVERALL ASSEMBLY DIMENSIONS:

EXTERNAL - 150 x 80 x 76

INTERNAL - 146.4 x 76.4 x 72.4



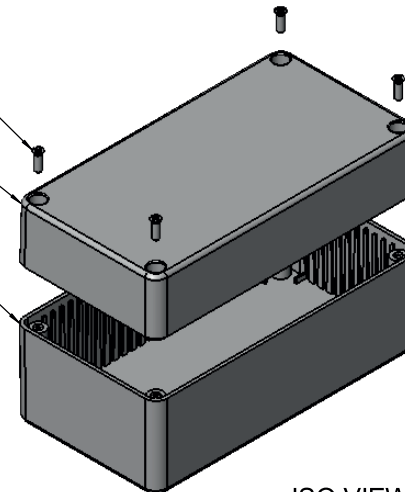
SECTION B-B



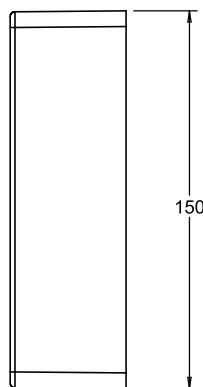
M3 CSK SCREW

LID

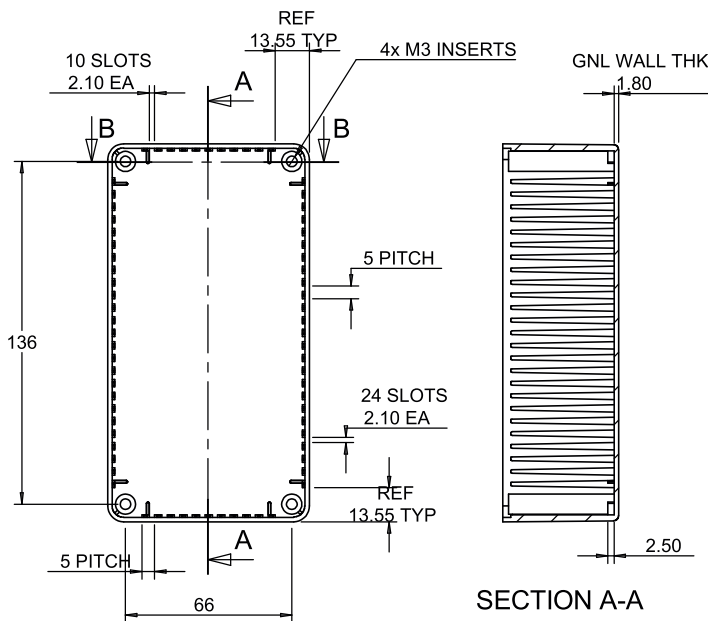
BASE



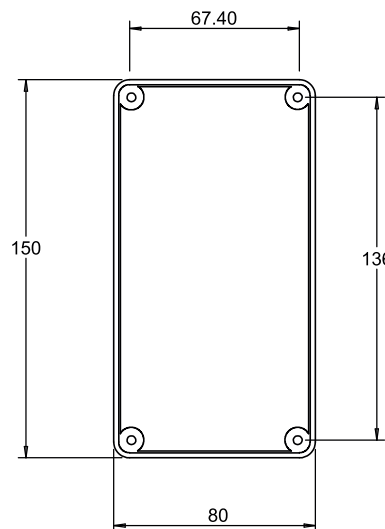
ISO VIEW



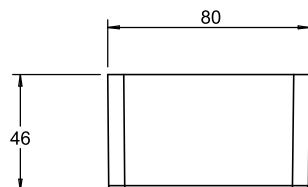
BASE



SECTION A-A



LID



| | | | | | |
|-------|-----------------|---|---------------|---------------------------------|-----------------|
| | | UNLESS OTHERWISE SPECIFIED: DIMENSIONS ARE IN MILLIMETERS | | DO NOT SCALE DRAWING | REVISION. 0 |
| | | FINISH. SMOOTH | | TITLE: ASSEMBLY DRG FOR 2005,25 | |
| DRAWN | NAME S.HARDINGE | SIGNED SJH | DATE 05/10/05 | MATERIAL. ABS | DWG NO. 2005,25 |
| CHK'D | - | - | - | PROJECTION. | SCALE. 1:3 |
| | | | | SHEET 1 OF 1 | |

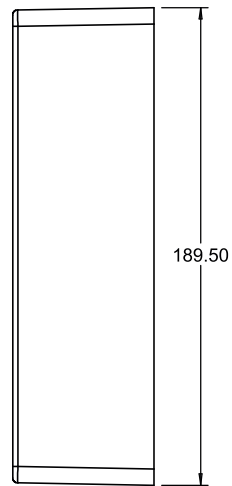
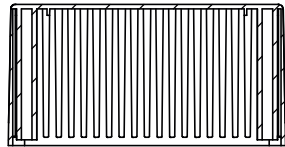
A4

OVERALL ASSEMBLY DIMENSIONS:

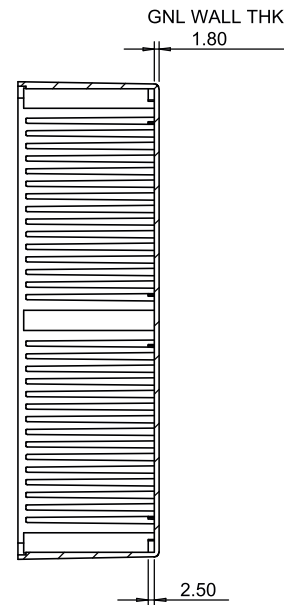
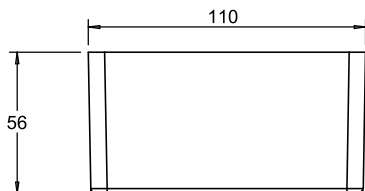
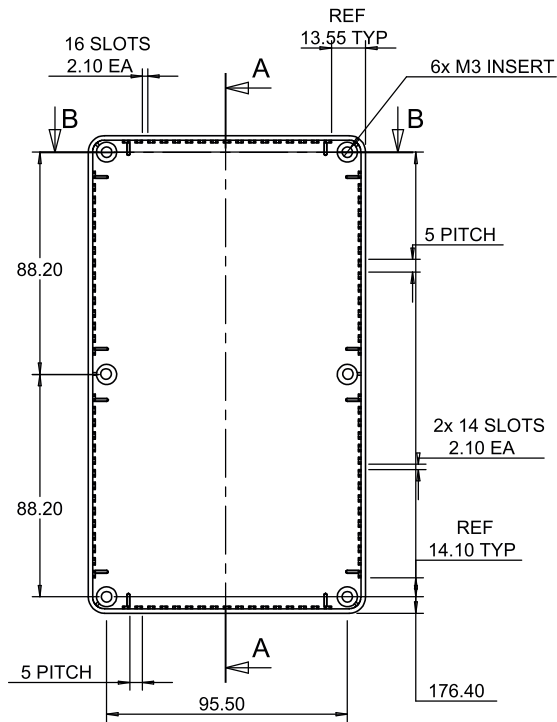
EXTERNAL - 190 x 110 x 90

INTERNAL - 186.4 x 106.4 x 86.4

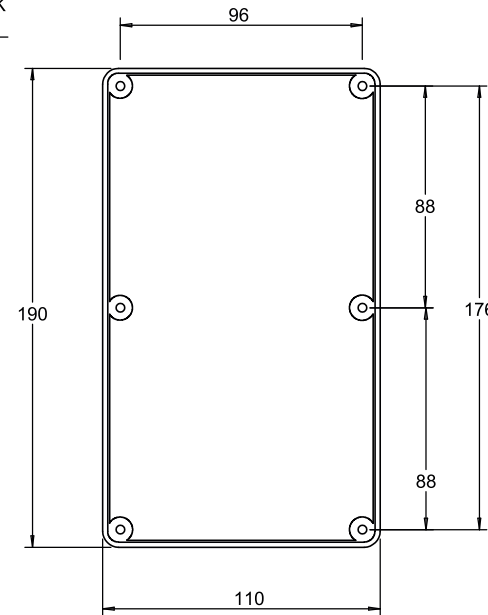
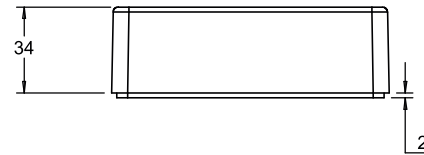
SECTION B-B



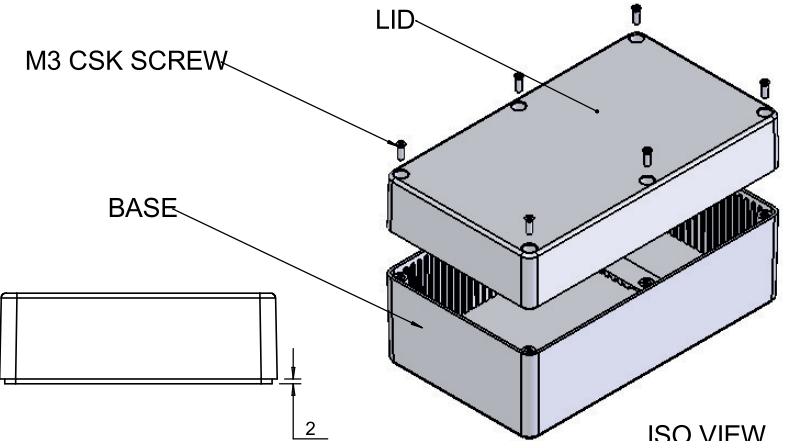
BASE



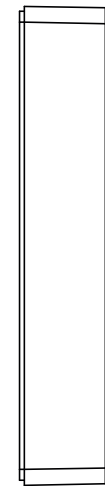
SECTION A-A



ISO VIEW
1:4



LID



| | | | | | | |
|-------|------------------|---|----------------|---------------------------------|-----------------|--------------|
| | | UNLESS OTHERWISE SPECIFIED: DIMENSIONS ARE IN MILLIMETERS | | DO NOT SCALE DRAWING | REVISION: 0 | |
| | | FINISH: SMOOTH | | TITLE: ASSEMBLY DRG FOR 2006/26 | | |
| DRAWN | NAME: S.HARDINGE | SIGNED: SJH | DATE: 06/10/05 | MATERIAL: ABS | DWG NO. 2006,26 | |
| CHK'D | - | - | - | PROJECTION: | SCALE: 1:3 | SHEET 1 OF 1 |
| | | | | A4 | | |