

UNIVERSAL ENCLOSURES

2000 Flanged IP65

For applications requiring surface mounting and protection against dust and water ingress. Provides extra security once mounted by restricting access to the screws in the lid.

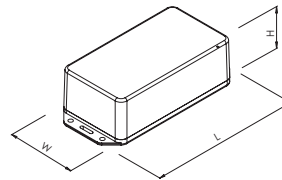
- Flanged IP65 Lid and base moulded in ABS
- Lid mounted by four M3 machine screws
- Polished finish for ease of cleaning
- Excellent properties for machining
- Integral mounting guides to accept 1.6mm PCB's
- PCB Adaptors (included) for horizontal PCB mounting
- Plastic standoffs in lid for PCB mounting



SPECIFICATION

Materials	Lid and base high impact ABS
Operating Temperature	Resistant to temperatures of up to 85°C
Protection class	IP54 as standard IP65 with gasket option
Standard colours	Grey & black
Standard unit includes	Base & Flanged lid 4x M3 machine screws PCB adaptors
Options	IP 65 gasket kits

GREY	BLACK	LENGTH	WIDTH	HEIGHT
BIM2008/IP-GY	BIM2008/IP-BLK	75mm	57mm	43mm
BIM2000/IP-GY	BIM2000/IP-BLK	95mm	52mm	28mm
BIM2001/IP-GY	BIM2001/IP-BLK	105mm	58mm	40mm
BIM2002/IP-GY	BIM2002/IP-BLK	120mm	52mm	26mm
BIM2003/IP-GY	BIM2003/IP-BLK	132mm	64mm	32mm
BIM2004/IP-GY	BIM2004/IP-BLK	140mm	67mm	41mm
BIM2030/IP-GY	BIM2030/IP-BLK	162mm	82mm	31mm
BIM2005/IP-GY	BIM2005/IP-BLK	170mm	82mm	51mm
BIM2006/IP-GY	BIM2006/IP-BLK	210mm	112mm	61mm



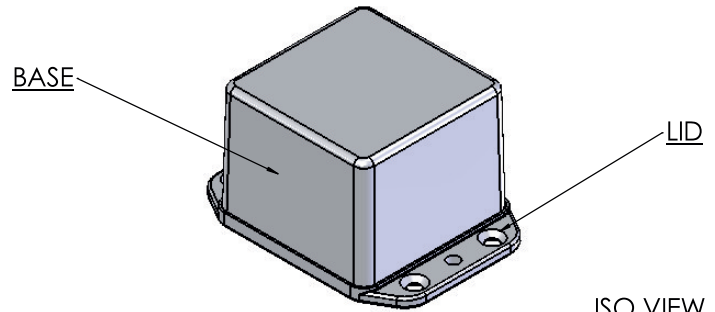
2000-IP Gasket Kits

TYPE NO.	DESCRIPTION
SA00	2000/IP gasket
SA1	2001/IP gasket kit
SA2	2002/IP gasket kit
SA34	2003/IP & 2004/IP gasket kit
SA50	2005/IP & 2030/IP gasket kit
SA6	2006/IP gasket kit
SA8	2008/IP gasket

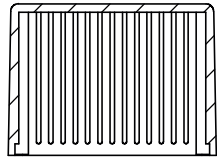
OVERALL ASSEMBLY DIMENSIONS:

EXTERNAL - 78.3 x 57.3 x 43

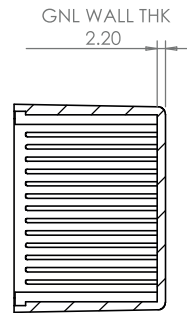
INTERNAL - 51 x 51 x 37



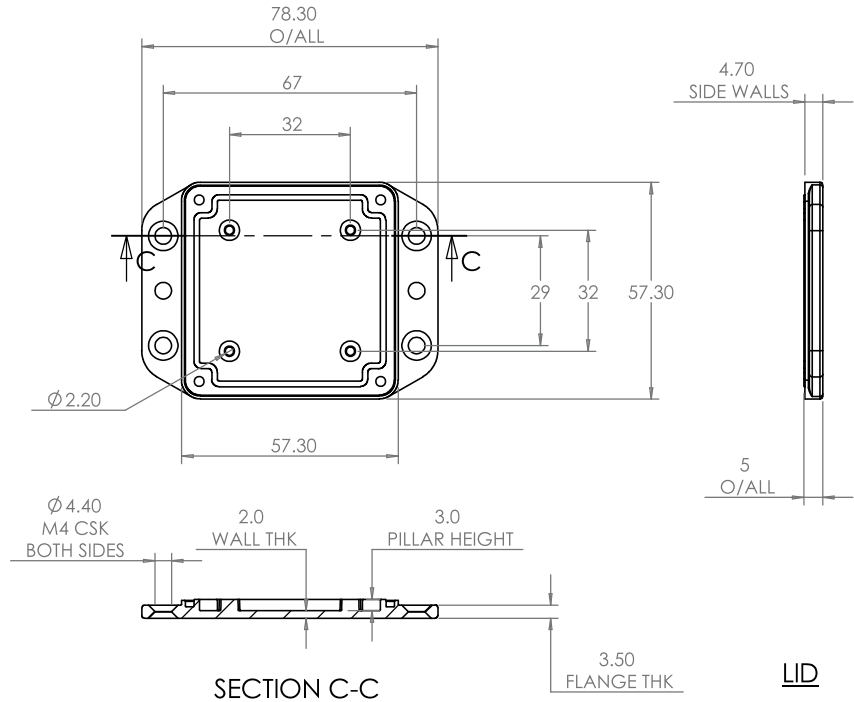
ISO VIEW
1:2



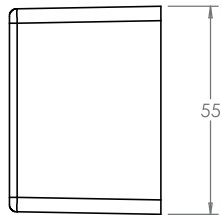
SECTION B-B



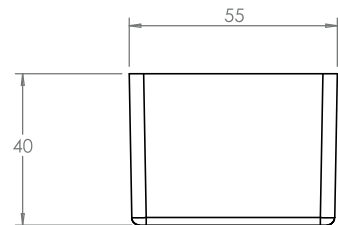
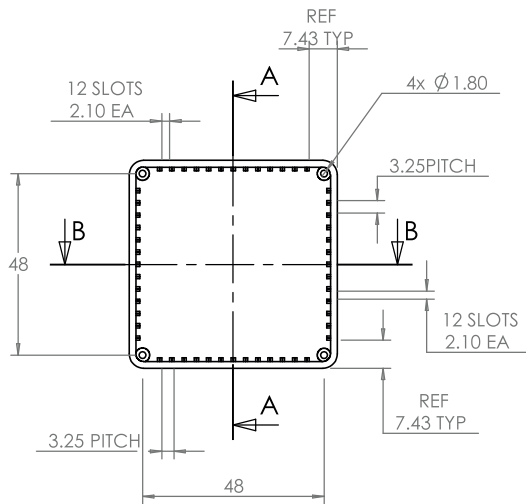
SECTION A-A



SECTION C-C



BASE



LID



UNLESS OTHERWISE SPECIFIED:
DIMENSIONS ARE IN MILLIMETERS

DO NOT SCALE DRAWING REVISION: 0

FINISH:
SMOOTH

TITLE:
GNL ASSEMBLY DRG FOR IP
2000-SERIES ENCLOSURE

DRAWN	NAME	SIGNED	DATE
CHK'D			

MATERIAL:
ABS

PROJECTION:

DWG NO. 2008-IP

SCALE: 1:2

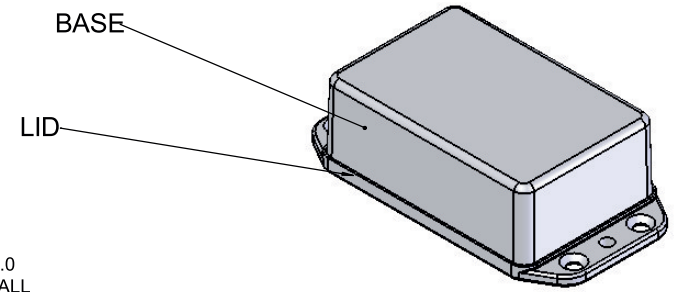
SHEET 1 OF 1

A4

OVERALL ASSEMBLY DIMENSIONS:

EXTERNAL - 99 x 52 x 28

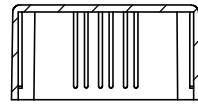
INTERNAL - 71.75 x 45.5 x 25



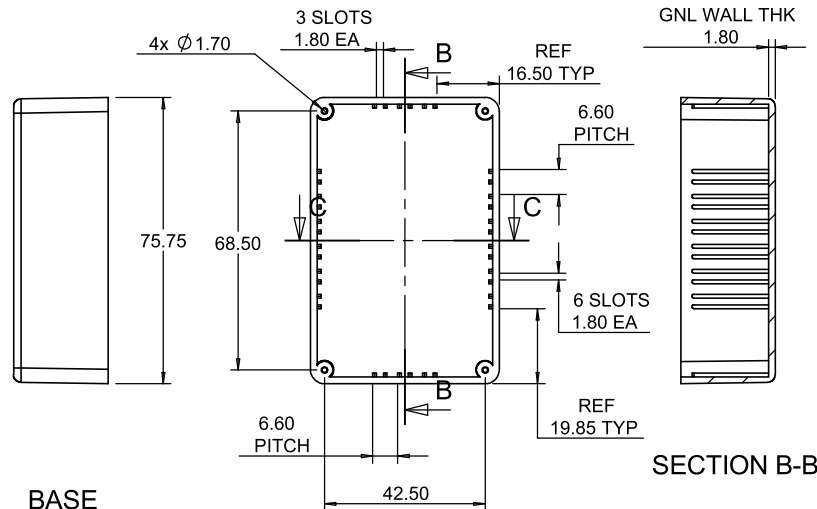
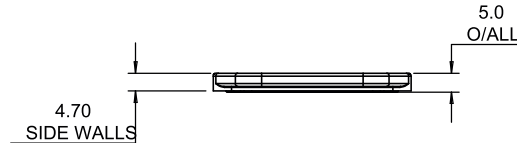
BASE

LID

ISO VIEW
1:2

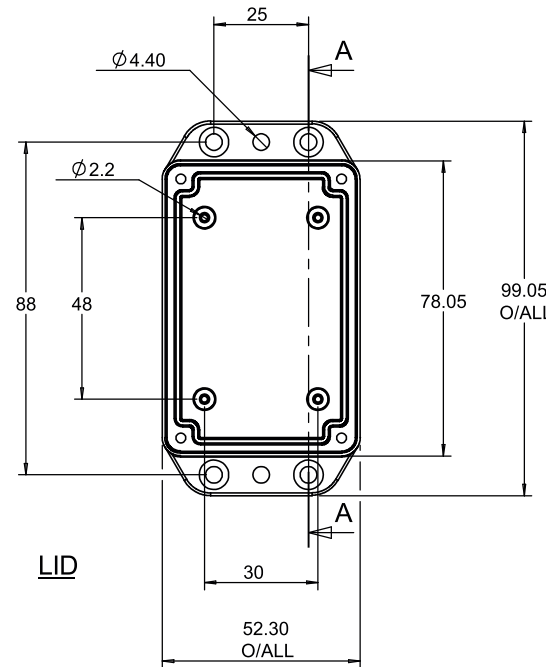


SECTION C-C



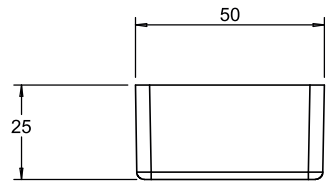
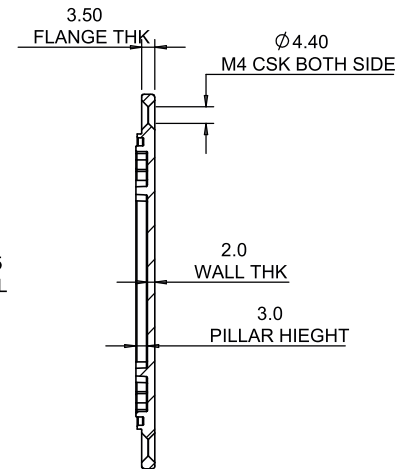
BASE

SECTION B-B



LID

SECTION A-A



				UNLESS OTHERWISE SPECIFIED: DIMENSIONS ARE IN MILLIMETERS		DO NOT SCALE DRAWING		REVISION: 0		
				FINISH: SMOOTH		TITLE: GNL ASSY DRG FOR IP 2000-SERIES ENCLOSURE				
DRAWN: S.HARDINGE		SIGNED: SJH		DATE: 11/11/08		MATERIAL: ABS		DWG NO. 2000-IP		A4
CHK'D: -		-		-		PROJECTION:		SCALE: 1:2		SHEET 1 OF 1

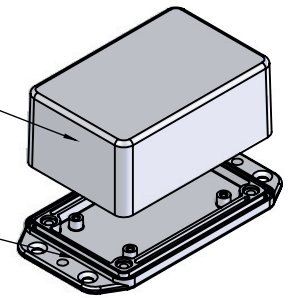
OVERALL ASSEMBLY DIMENSIONS:

EXTERNAL - 108 x 58 x 39.5

INTERNAL - 81.4 x 52.4 x 34.5

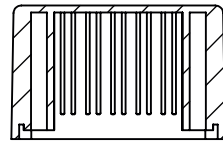
BASE

LID

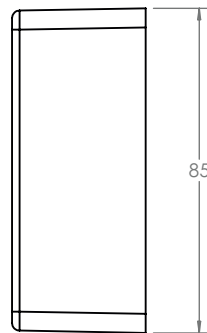
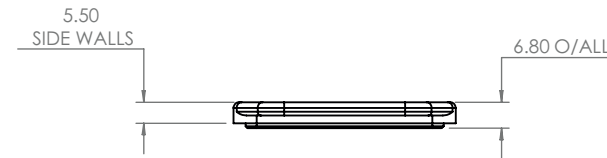


ISO VIEW

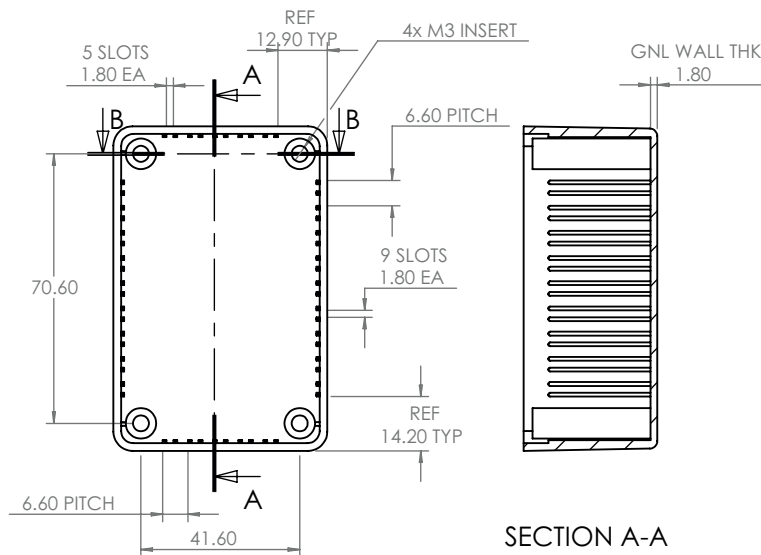
1:3



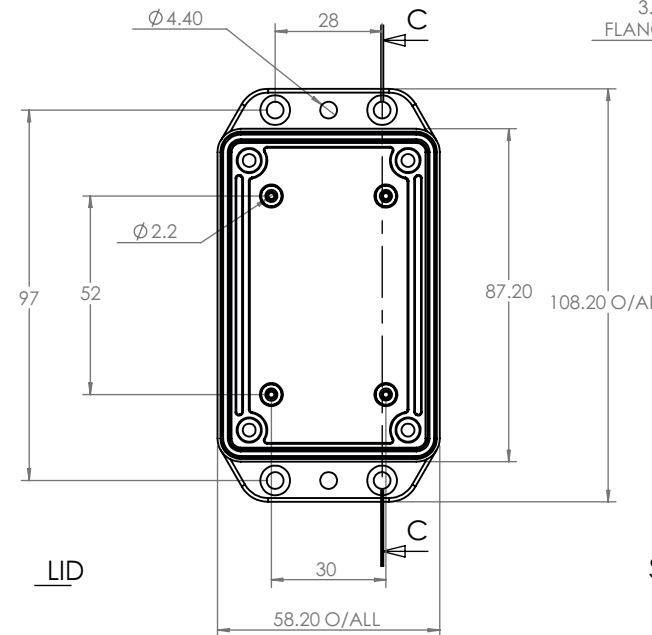
SECTION B-B



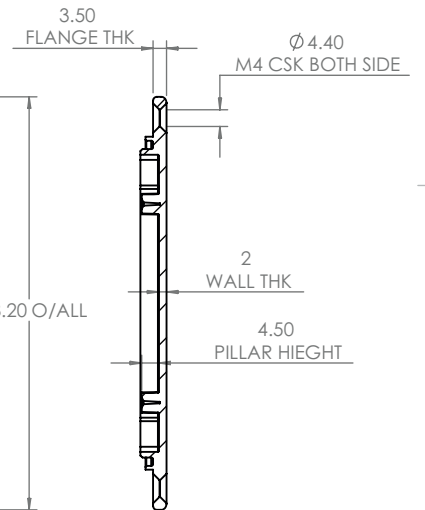
BASE



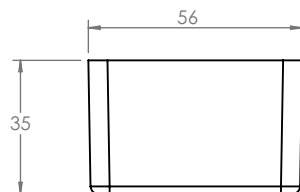
SECTION A-A



LID



SECTION C-C



UNLESS OTHERWISE SPECIFIED:
DIMENSIONS ARE IN MILLIMETERS

DO NOT SCALE DRAWING REVISION. 0

FINISH.
SMOOTH

TITLE:
GNL ASSY DRG FOR IP
2000-SERIES ENCLOSURE

	NAME	SIGNED	DATE
DRAWN	S.HARDINGE	SJH	30/09/05
CHKD	-	-	-

MATERIAL.
ABS
PROJECTION.

DWG NO. 2001-IP A4
SCALE: 1:2 SHEET 1 OF 1

OVERALL ASSEMBLY DIMENSIONS:

EXTERNAL - 123 x 52 x 25.5

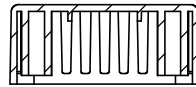
INTERNAL - 96.4 x 46.4 x 21.4

BASE

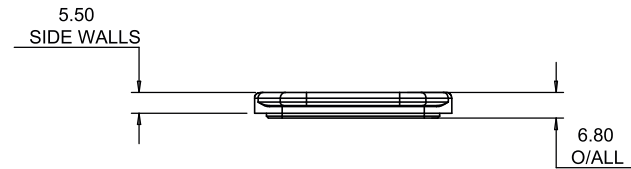
LID



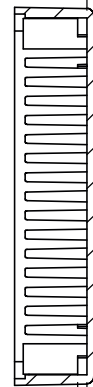
ISO VIEW
1:2



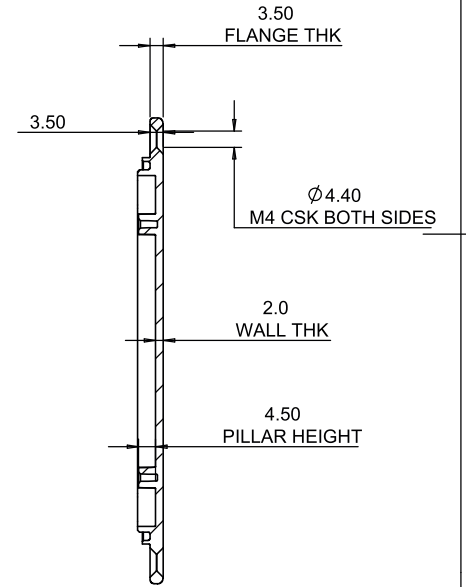
SECTION B-B



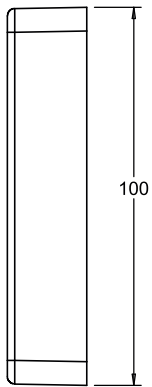
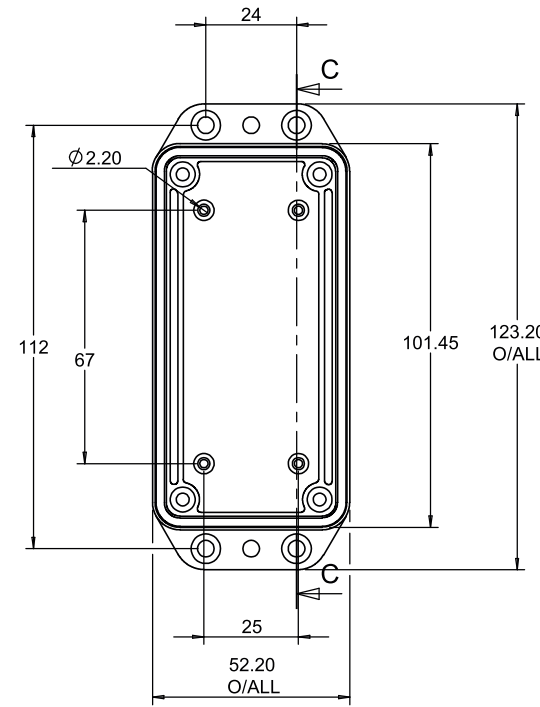
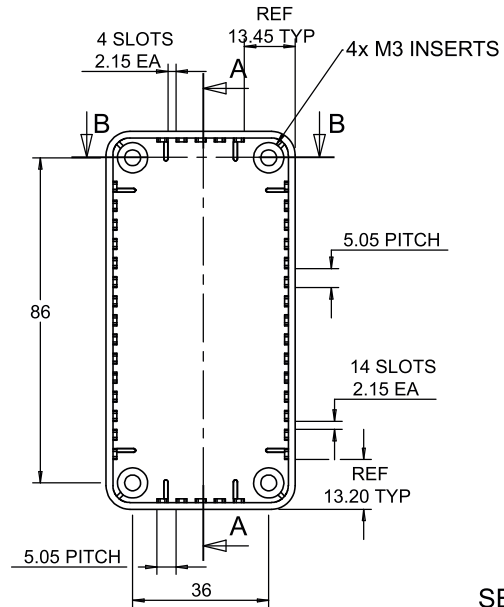
GNL WALL THK
1.80



SECTION A-A



SECTION C-C



BASE



UNLESS OTHERWISE SPECIFIED:
DIMENSIONS ARE IN MILLIMETERS

DO NOT SCALE DRAWING

REVISION. 0

FINISH.
SMOOTH

TITLE:

GNL ASSEMBLY DRG FOR IP
2000-SERIES ENCLOSURE

	NAME	SIGNED	DATE
DRAWN	SUBKHANKULOVA	LS	27/02/09
CHK'D	-	-	-

MATERIAL.
ABS

DWG NO.

2002-IP

A4

PROJECTION.

SCALE: 1:2

SHEET 1 OF 1

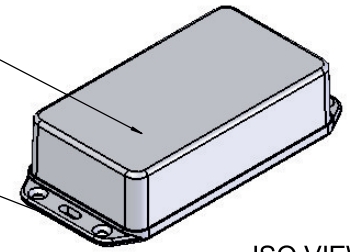
OVERALL ASSEMBLY DIMENSIONS:

EXTERNAL - 136 x 64.6 x 31.5

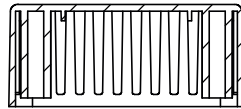
INTERNAL 108.4 x 58.4 x 27.4

BASE

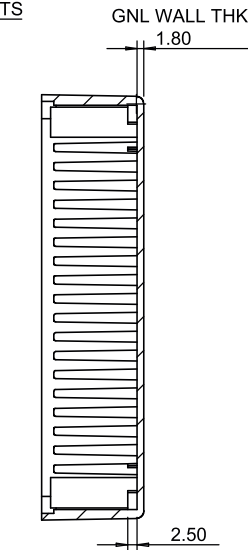
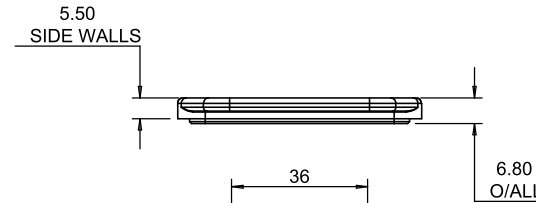
LID



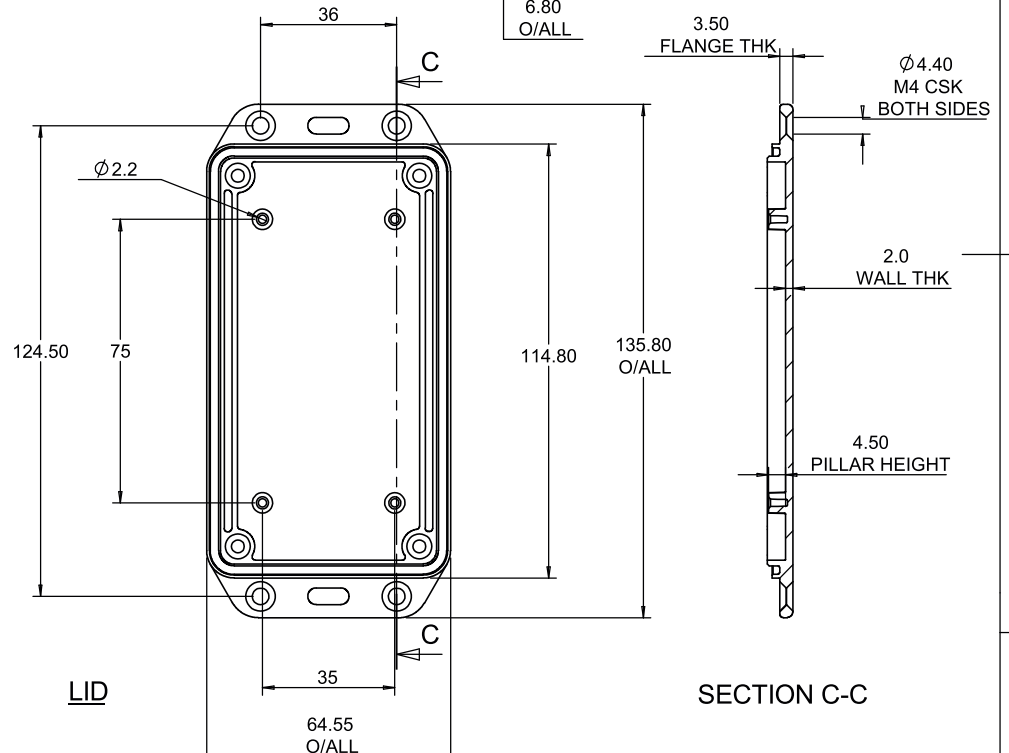
ISO VIEW
1:3



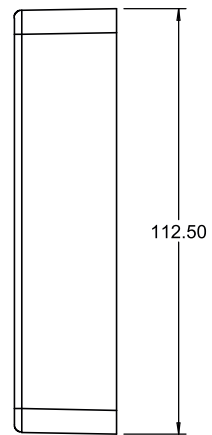
SECTION B-B



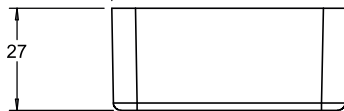
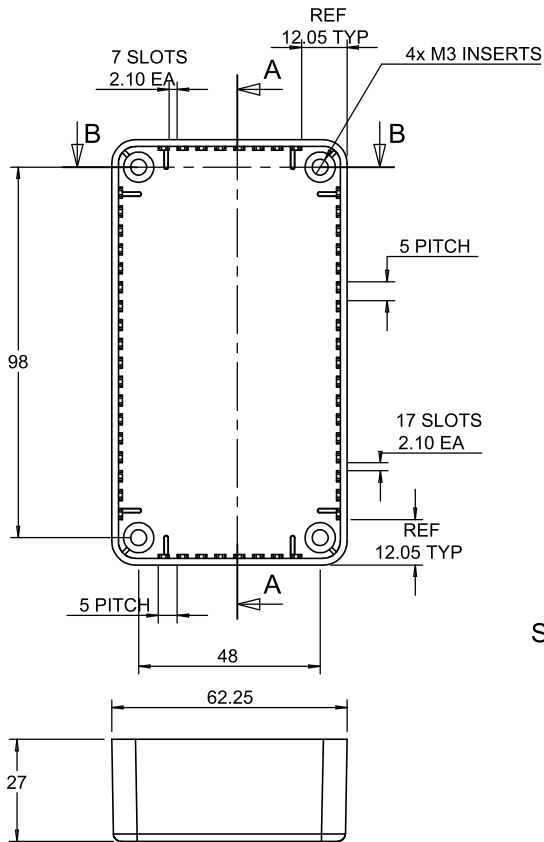
SECTION A-A



SECTION C-C



BASE



UNLESS OTHERWISE SPECIFIED:
DIMENSIONS ARE IN MILLIMETERS

DO NOT SCALE DRAWING

REVISION. 0

FINISH.
SMOOTH

TITLE: GNL ASSY DRG FOR IP
2000-SERIES ENCLOSURE

DRAWN	NAME	SIGNED	DATE
CHK'D			

NAME	SIGNED	DATE
SUBKHANKULOVA	LS	27/02/09

MATERIAL.
ABS

DWG NO. 2003-IP A4

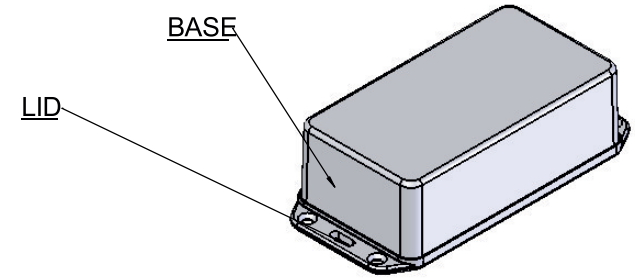
PROJECTION.

SCALE: 1:2 SHEET 1 OF 1

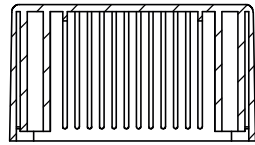
OVERALL ASSEMBLY DIMENSIONS:

EXTERNAL - 143.3 x 67.3 x 40.3

INTERNAL - 116.4 x 61.4 x 36.2

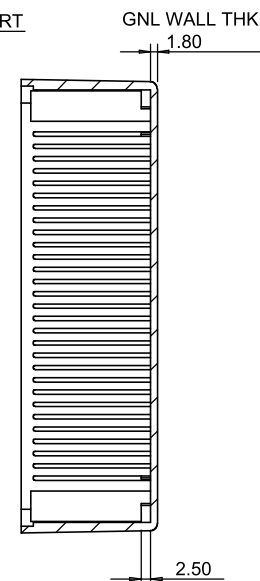


ISO VIEW
1:3

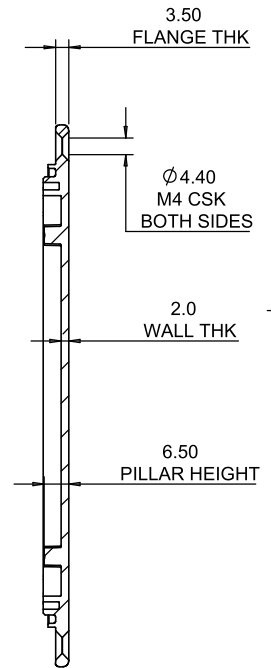


SECTION A-A

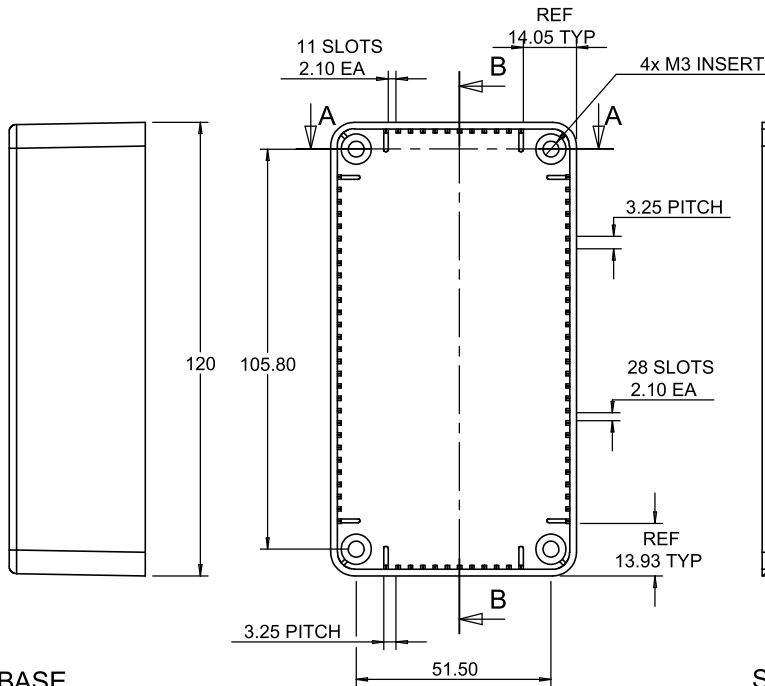
5.50
SIDE WALLS



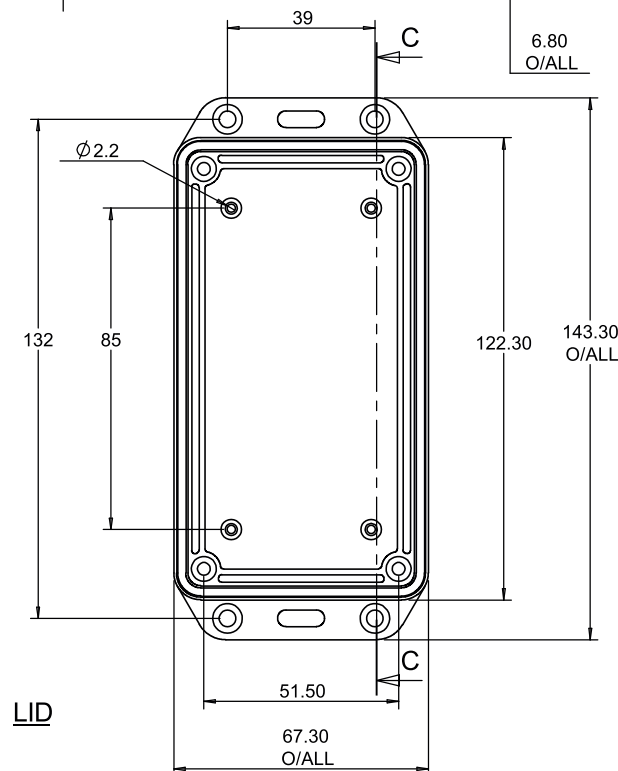
SECTION B-B



SECTION C-C



BASE



LID



UNLESS OTHERWISE SPECIFIED:
DIMENSIONS ARE IN MILLIMETERS

DO NOT SCALE DRAWING

REVISION: 0

FINISH:
SMOOTH

TITLE: GNL ASSY DRG FOR IP
2000-SERIES ENCLOSURE

DRAWN	NAME	SIGNED	DATE
SUBKHANKULOVA	LS		27/02/09

MATERIAL:
ABS

DWG NO. 2004-IP

A4

PROJECTION:

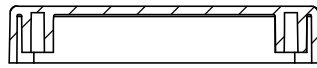
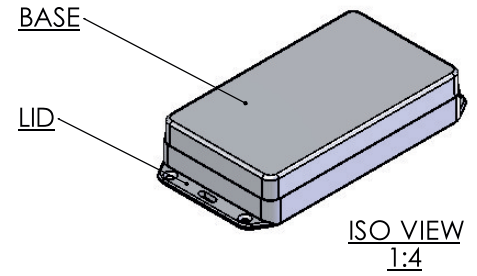
SCALE: 1:2

SHEET 1 OF 1

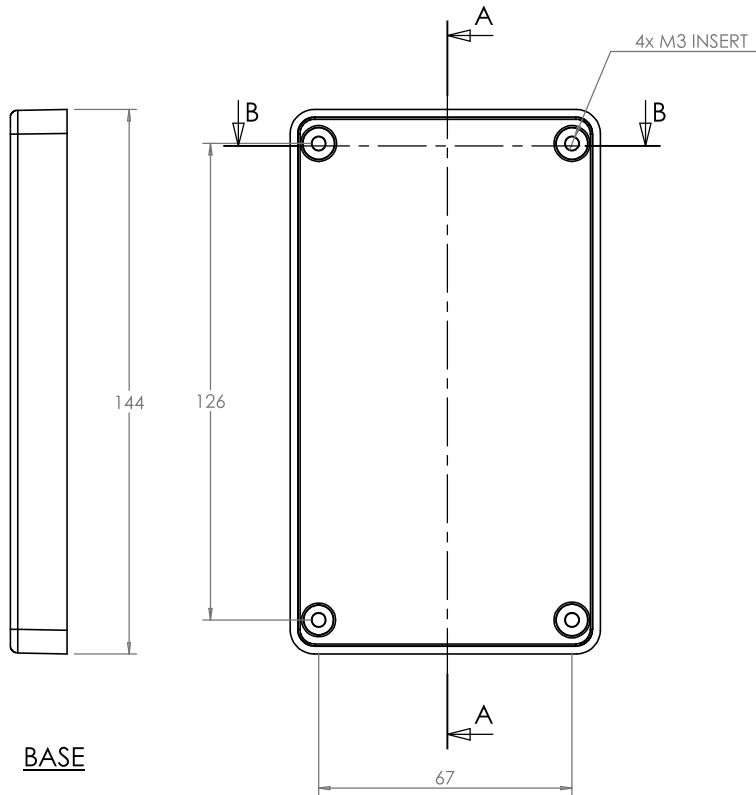
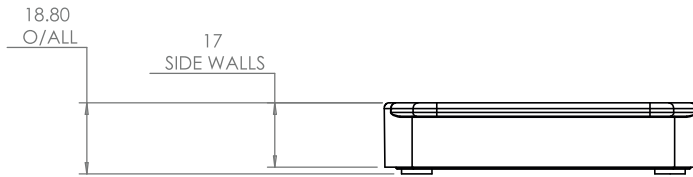
OVERALL ASSEMBLY DIMENSIONS:

EXTERNAL - 167 x 84 x 31

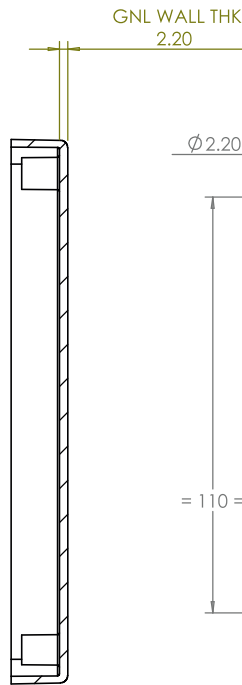
INTERNAL - 139.6 x 77.6 x 25.6



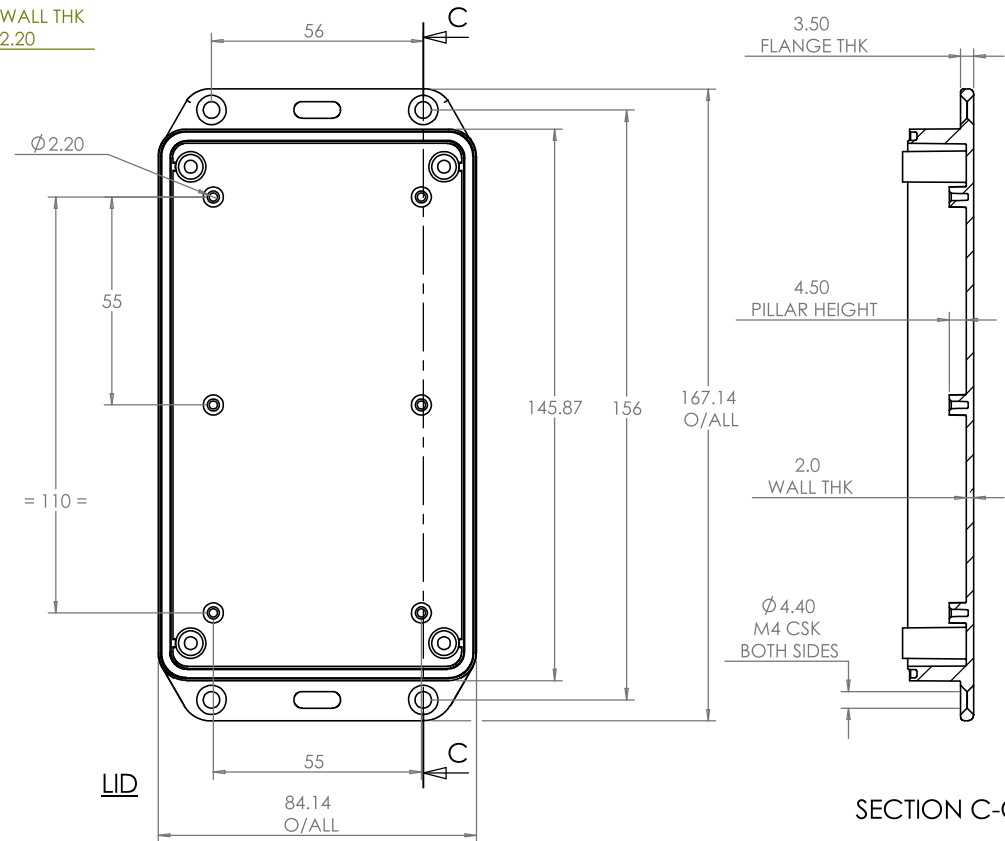
SECTION B-B



BASE

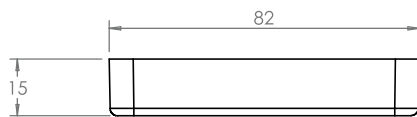


SECTION A-A



LID

SECTION C-C



UNLESS OTHERWISE SPECIFIED:
DIMENSIONS ARE IN MILLIMETERS

DO NOT SCALE DRAWING

REVISION. 0

FINISH.
SMOOTH

TITLE:

GNL ASSEMBLY DRG FOR IP
2000-SERIES ENCLOSURE

DRAWN	NAME	SIGNED	DATE
SUBKHANKULOVA	LS	02/03/09	

MATERIAL.
ABS

DWG NO. 2030-IP

A4

CHK'D - - -

PROJECTION.

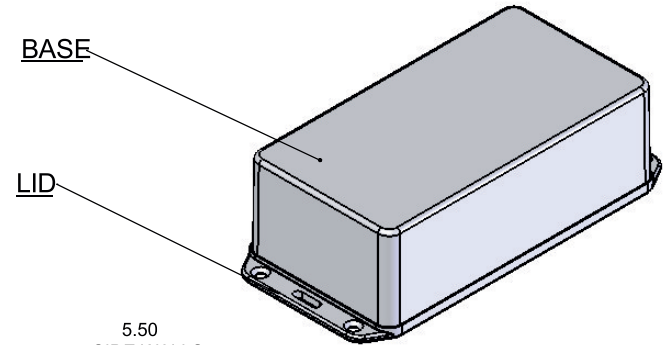
SCALE. 1 : 2

SHEET 1 OF 1

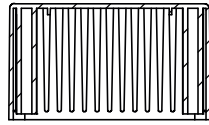
OVERALL ASSEMBLY DIMENSIONS:

EXTERNAL - 173.4 x 82.4 x 50.5

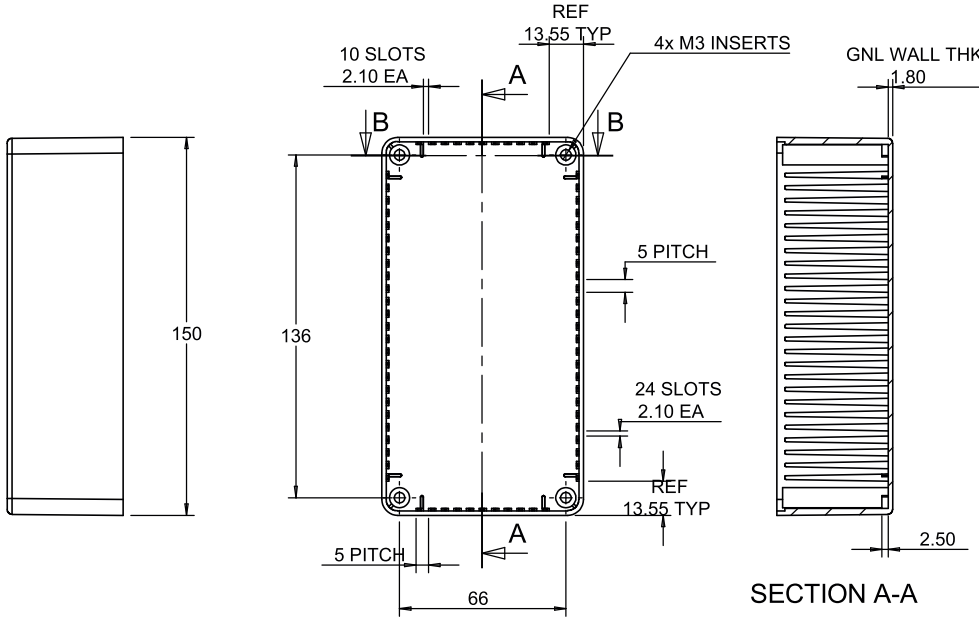
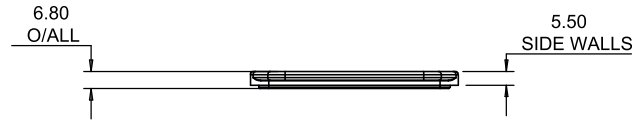
INTERNAL - 146.4 x 76.4 x 46



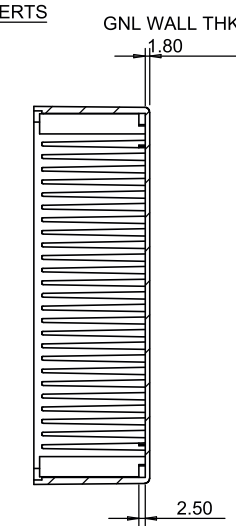
ISO VIEW
1:3



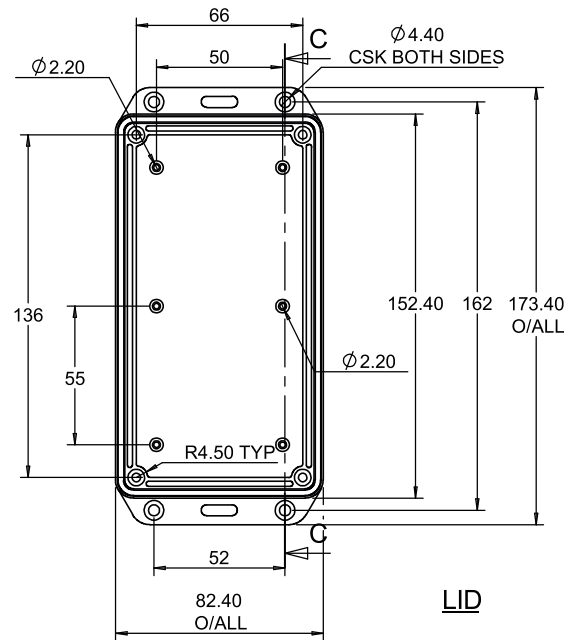
SECTION B-B



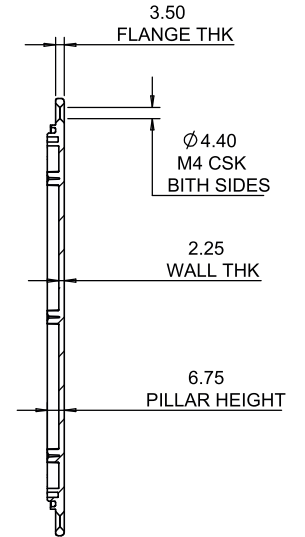
BASE



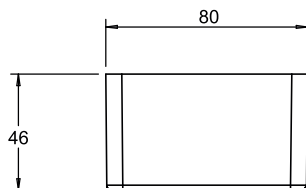
SECTION A-A



LID



SECTION C-C



UNLESS OTHERWISE SPECIFIED:
DIMENSIONS ARE IN MILLIMETERS

DO NOT SCALE DRAWING

REVISION: 0

FINISH:
SMOOTH

TITLE:

GNL ASSEMBLY DRG FOR IP
2000-SERIES ENCLOSURE

	NAME	SIGNED	DATE	MATERIAL.	DWG NO.	
DRAWN	SUBKHANKULOVA	LS	27/02/09	ABS	2005-IP	A4
CHK'D	-	-	-	PROJECTION.	SCALE: 1:3	SHEET 1 OF 1

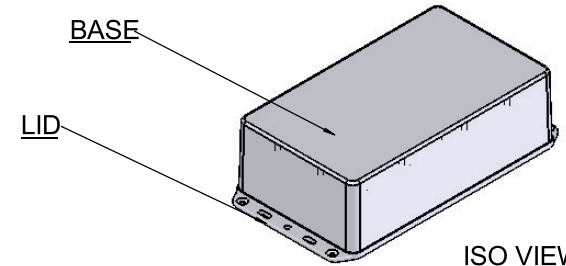
PROJECTION:

DWG NO. 2005-IP

OVERALL ASSEMBLY DIMENSIONS:

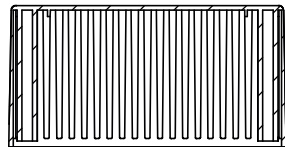
EXTERNAL - 213 x 112.3 x 60.7

INTERNAL - 186.4 x 106.4 x 56.4



ISO VIEW
1:5

SECTION B-B



5.50
SIDE WALLS

7.0
O/ALL

3.50
FLANGE THK

A

A

B

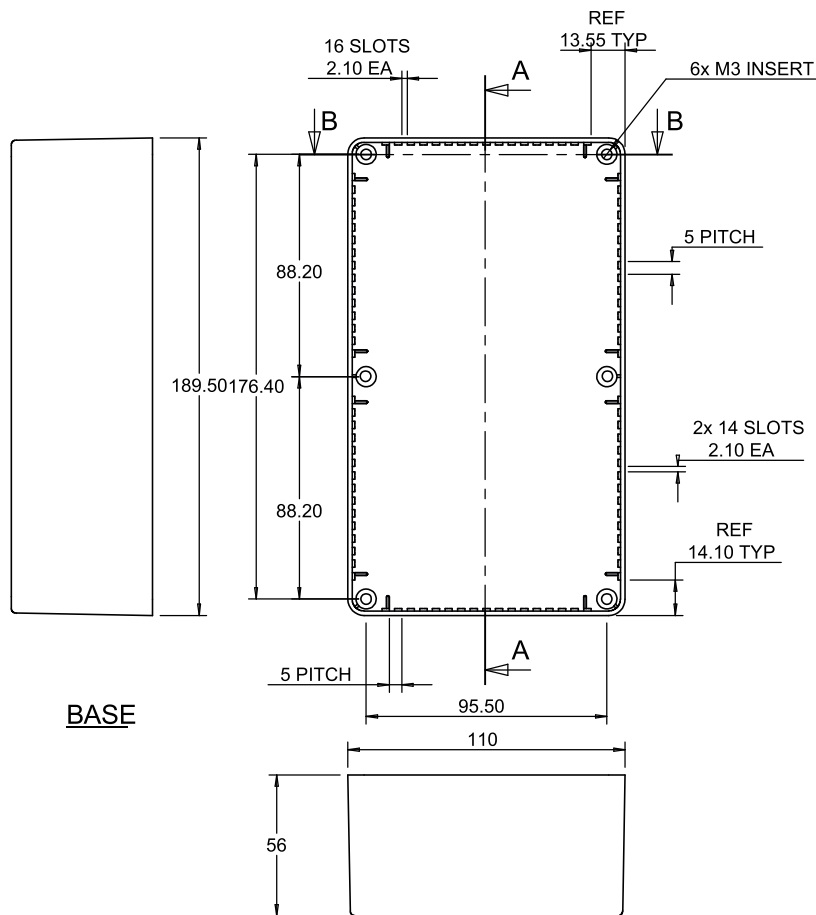
B

C

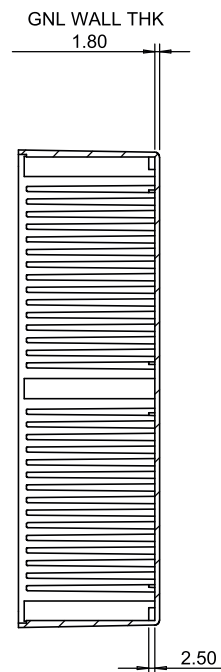
C

D

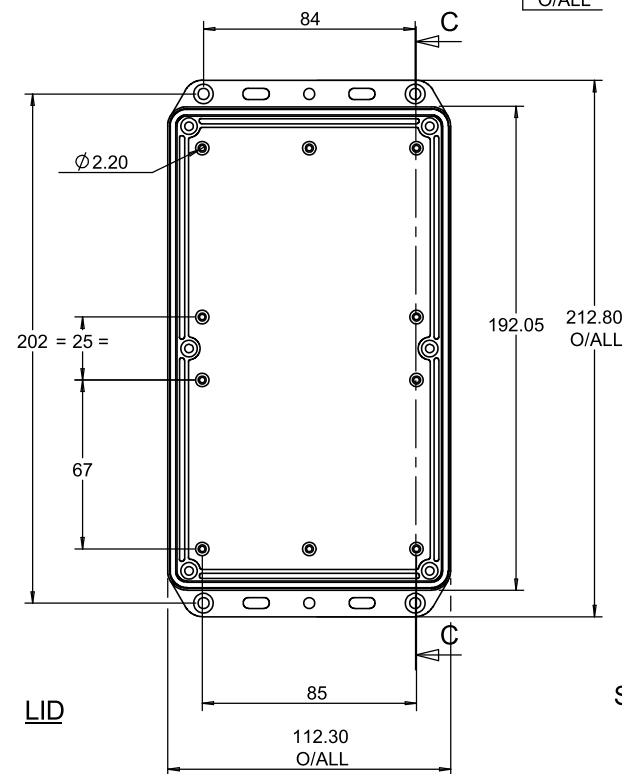
D



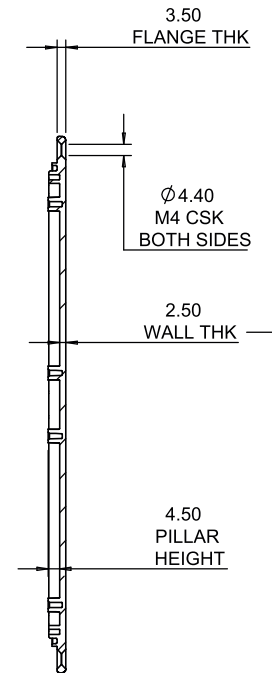
GNL WALL THK
1.80



SECTION A-A
SCALE 1:3



LID



SECTION C-C
SCALE 1:3



UNLESS OTHERWISE SPECIFIED:
DIMENSIONS ARE IN MILLIMETERS

DO NOT SCALE DRAWING

REVISION. 0

FINISH.
SMOOTH

TITLE: GNL ASSEMBLY DRG FOR IP
2000-SERIES ENCLOSURE

DRAWN	NAME	SIGNED	DATE
LS	SUBKHANKULOVA	LS	27/02/09

MATERIAL.
ABS

DWG NO. 2006-IP A4

CHK'D - - -

PROJECTION.

SCALE: 1:2 SHEET 1 OF 1