

# HEAVY DUTY ENCLOSURES

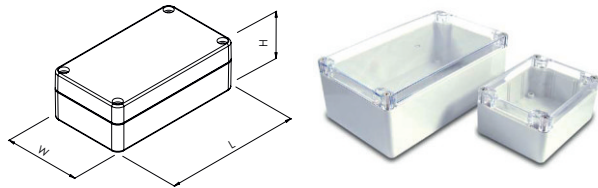
## 7200 Series Polycarbonate Cases

Robust IP65 Polycarbonate cases to guard electrical and electronic components in rugged environments.

- Moulded in high grade Polycarbonate
- PCB pillars in base with threaded inserts and for self-tapping screws
- Lid mounted by four M3 machine screws
- Easy to use wall-mounting holes
- Clear lid available

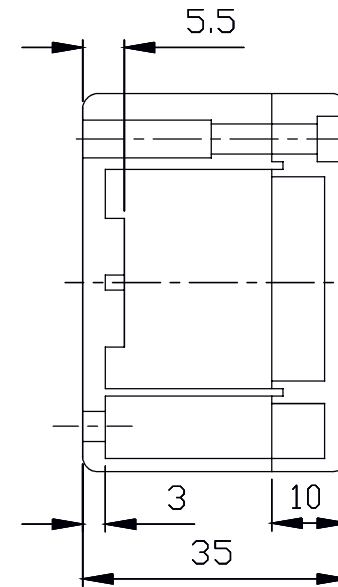
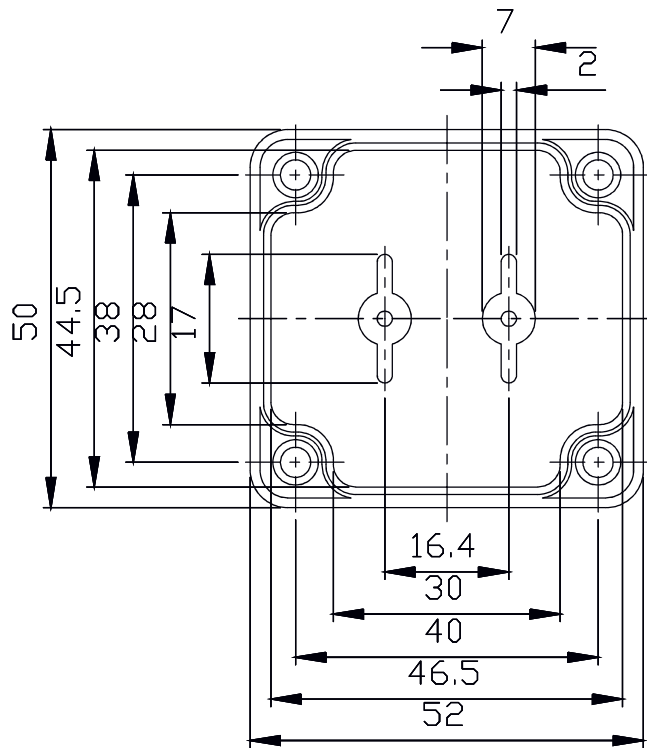


SPECIFICATION	
Materials	Lid & base high grade Polycarbonate
Operating Temperature	Heat resistant up to 125°C
Protection class	IP65
Standard colours	Light grey, similar to RAL 7035
Standard unit includes	Box & lid 4x M4 non-magnetic machine screws Neoprene gasket

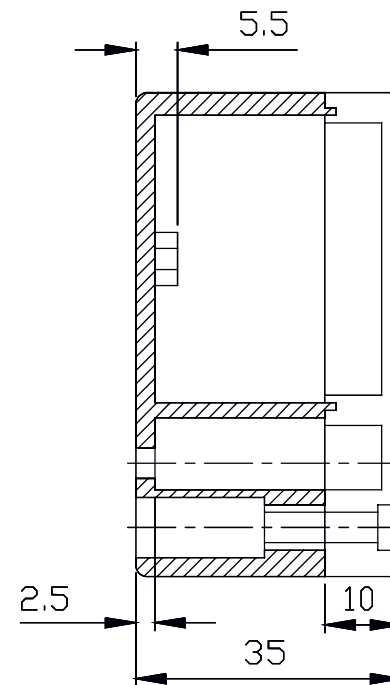
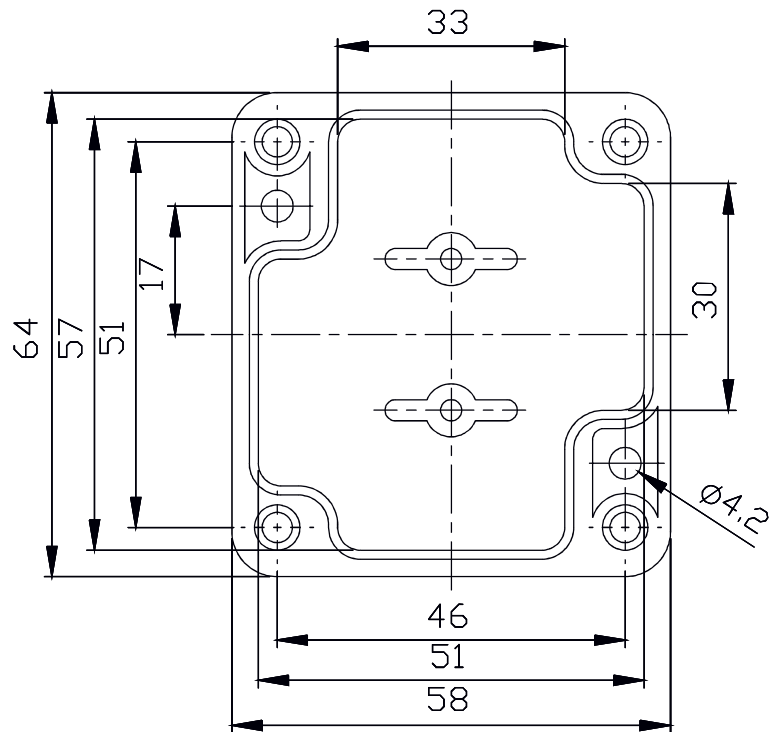


Heavy  
DUTY  
ENCLOSURES

GREY LID	CLEAR LID	LENGTH	WITH	HEIGHT
7200-250	7200-250C	52mm	50mm	35mm
7200-201	7200-201C	64mm	58mm	35mm
7200-256	7200-256C	82mm	80mm	55mm
7200-203	7200-203C	115mm	65mm	40mm
7200-205	7200-205C	115mm	65mm	55mm
7200-212	7200-212C	115mm	90mm	55mm
7200-221	7200-221C	115mm	90mm	80mm
7200-278	7200-278C	120mm	120mm	60mm
7200-279	7200-279C	120mm	120mm	90mm
7200-258	7200-258C	160mm	80mm	55mm
7200-265	7200-265C	160mm	80mm	85mm
7200-287	7200-287C	160mm	160mm	60mm
7200-288	7200-288C	160mm	160mm	90mm
7200-214	7200-214C	171mm	121mm	55mm
7200-223	7200-223C	171mm	121mm	80mm
7200-229	7200-229C	195mm	80mm	55mm
7200-269	7200-269C	200mm	120mm	75mm
7200-218	7200-218C	222mm	146mm	55mm
7200-232	7200-232C	222mm	146mm	75mm
7200-2018	7200-2018C	240mm	160mm	90mm
7200-2025	7200-2025C	240mm	160mm	120mm
7200-238	7200-238C	265mm	185mm	95mm
7200-2029	7200-2029C	300mm	230mm	86mm
7200-2038	7200-2038C	300mm	230mm	111mm
7200-2058	7200-2058C	360mm	200mm	150mm



				UNLESS OTHERWISE SPECIFIED: DIMENSIONS ARE IN MILLIMETERS		DO NOT SCALE DRAWING	REVISION. 0
				FINISH. SMOOTH		TITLE: GNL ASSEMBLY DRG FOR 7200 SERIES	
DRAWN	NAME SUBKHANKULOVA	SIGNED LS	DATE 26/02/09	MATERIAL. POLYCARBONATE	DWG NO.	7200-250	A4
CHK'D	-	-	-	PROJECTION.	SCALE. 1 : 1	SHEET 1 OF 1	



UNLESS OTHERWISE SPECIFIED:  
DIMENSIONS ARE IN MILLIMETERS

DO NOT SCALE DRAWING

REVISION. 0

FINISH.  
SMOOTH

TITLE: GNL ASSEMBLY DRG FOR  
7200 SERIES

DRAWN	NAME	SIGNED	DATE
	L.SUBKHANKULOVA	LS	25/02/09

MATERIAL.  
POLYCARBONATE

DWG NO. 7200-201

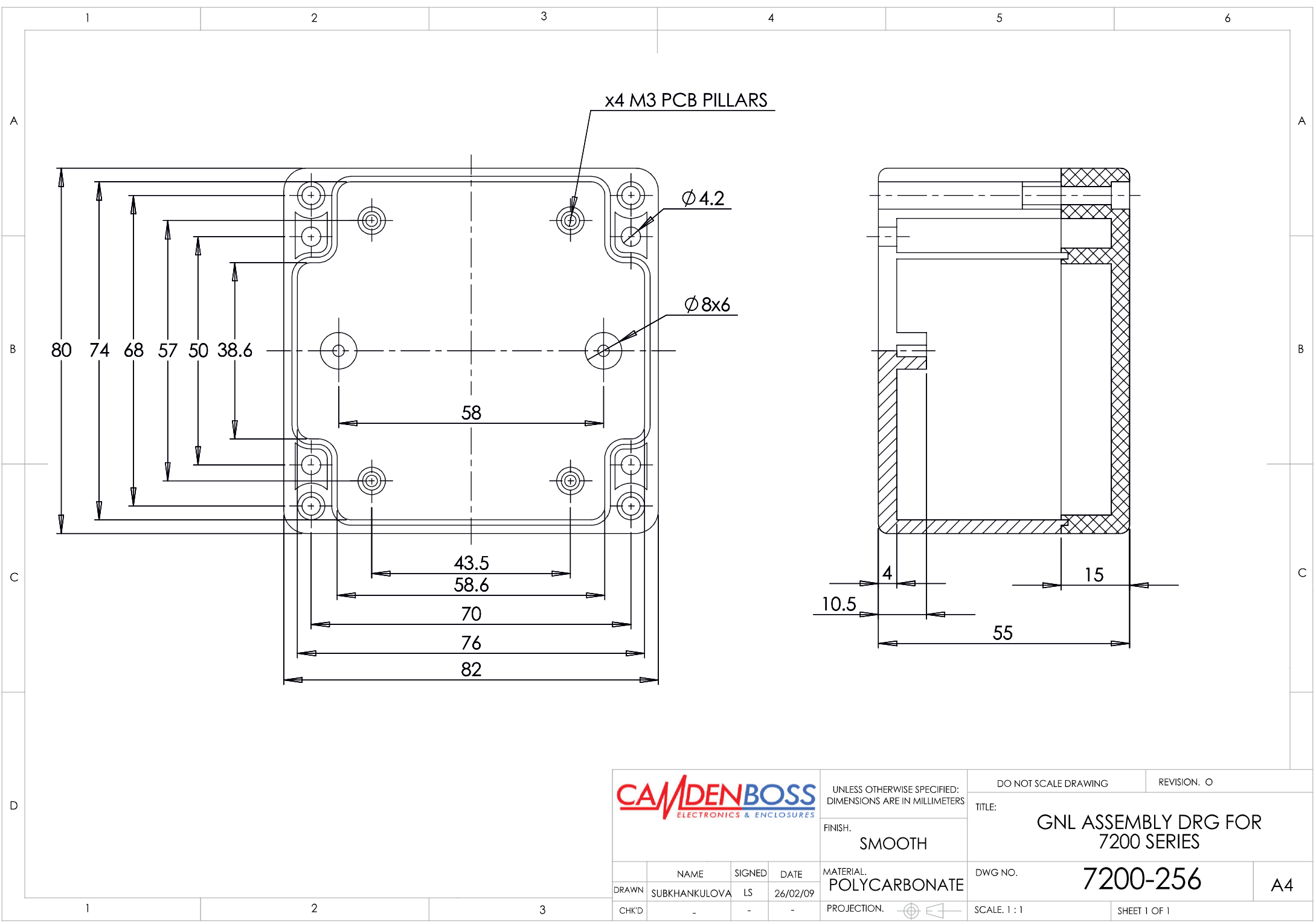
A4

CHK'D	-	-	-

PROJECTION.

SCALE. 1 : 1

SHEET 1 OF 1



UNLESS OTHERWISE SPECIFIED:  
DIMENSIONS ARE IN MILLIMETERS

DO NOT SCALE DRAWING      REVISION. 0

FINISH.  
SMOOTH

TITLE:  
**GNL ASSEMBLY DRG FOR  
7200 SERIES**

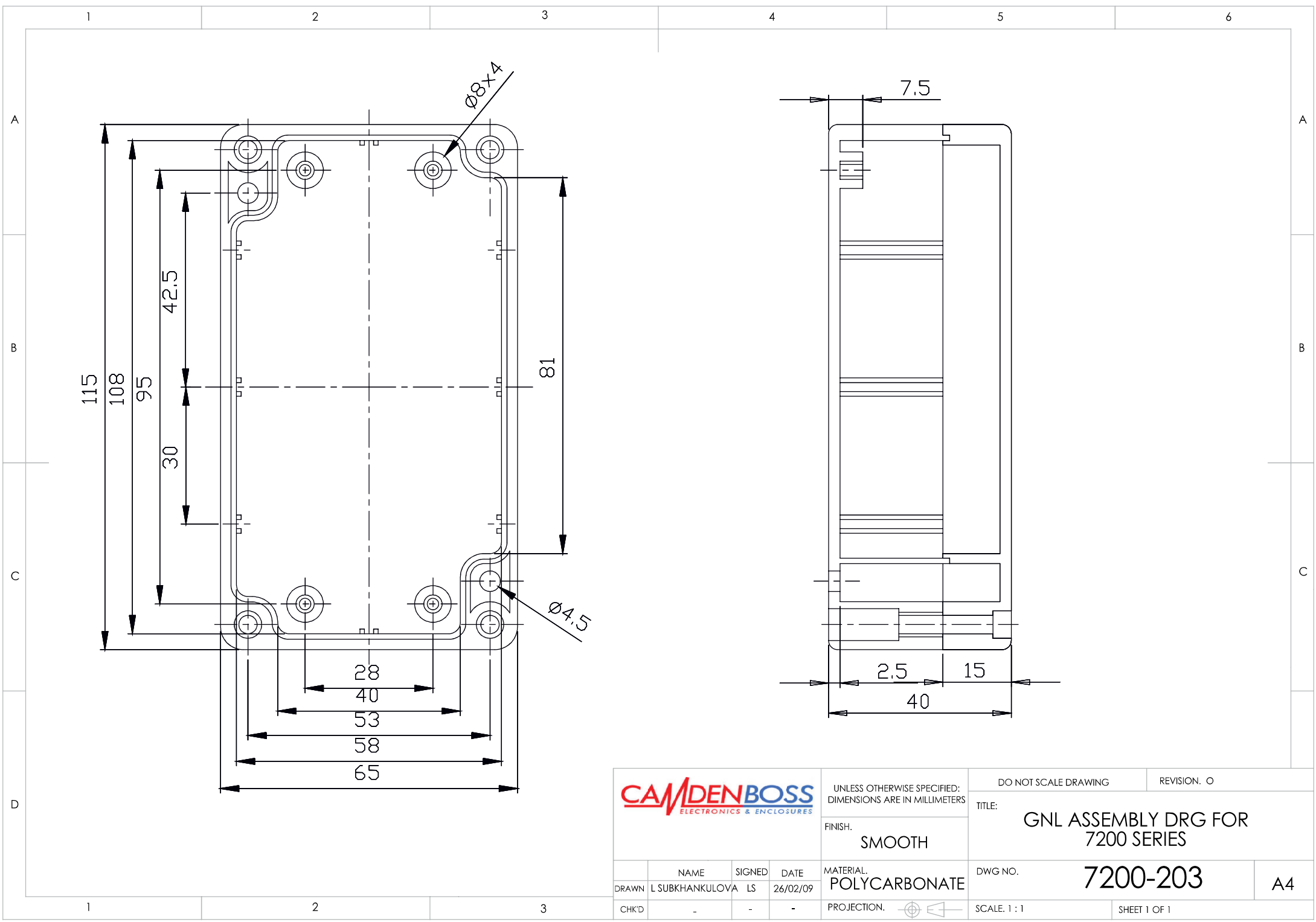
DRAWN	NAME	SIGNED	DATE
CHK'D			

MATERIAL.  
**POLYCARBONATE**

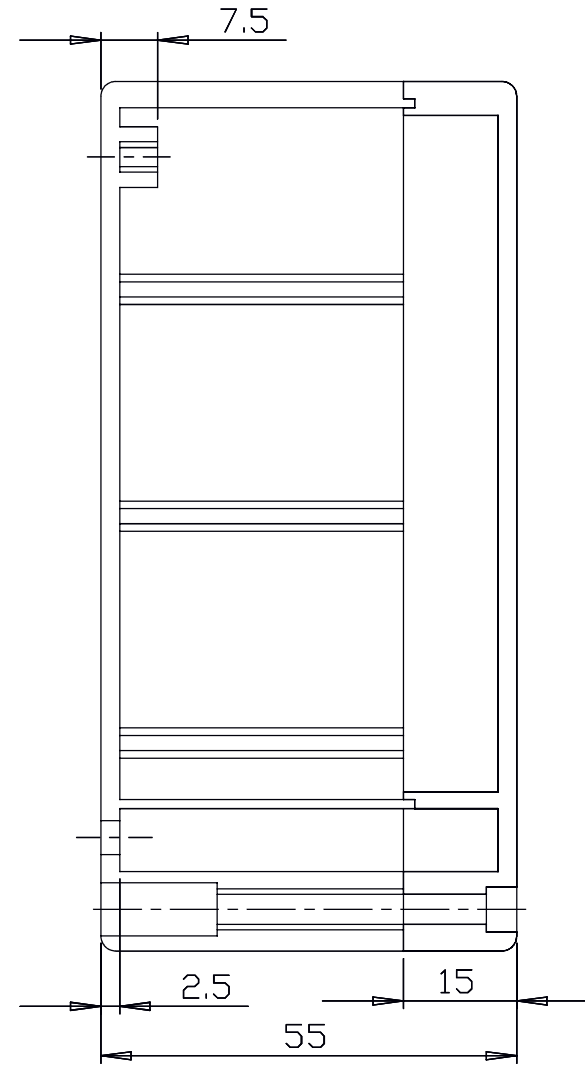
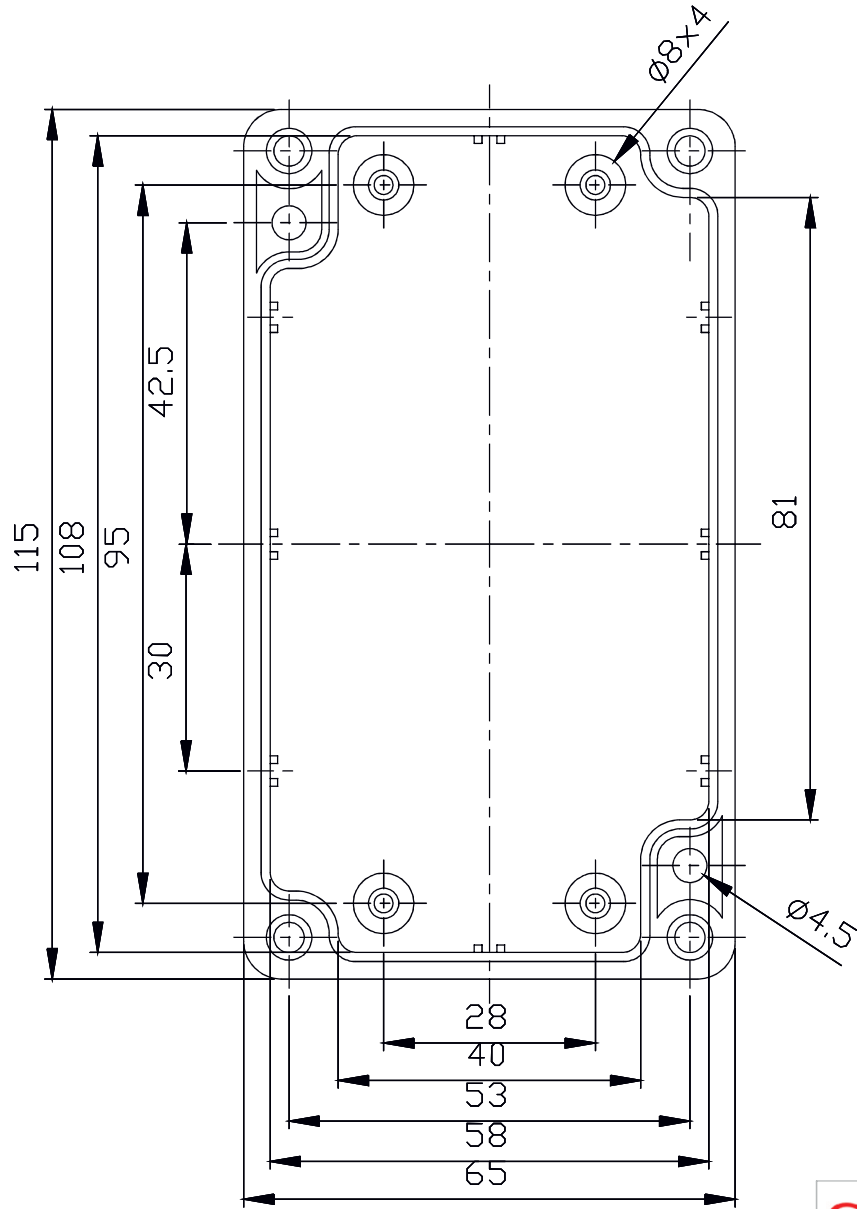
DWG NO.      **7200-256**      A4

PROJECTION.

SCALE: 1 : 1      SHEET 1 OF 1

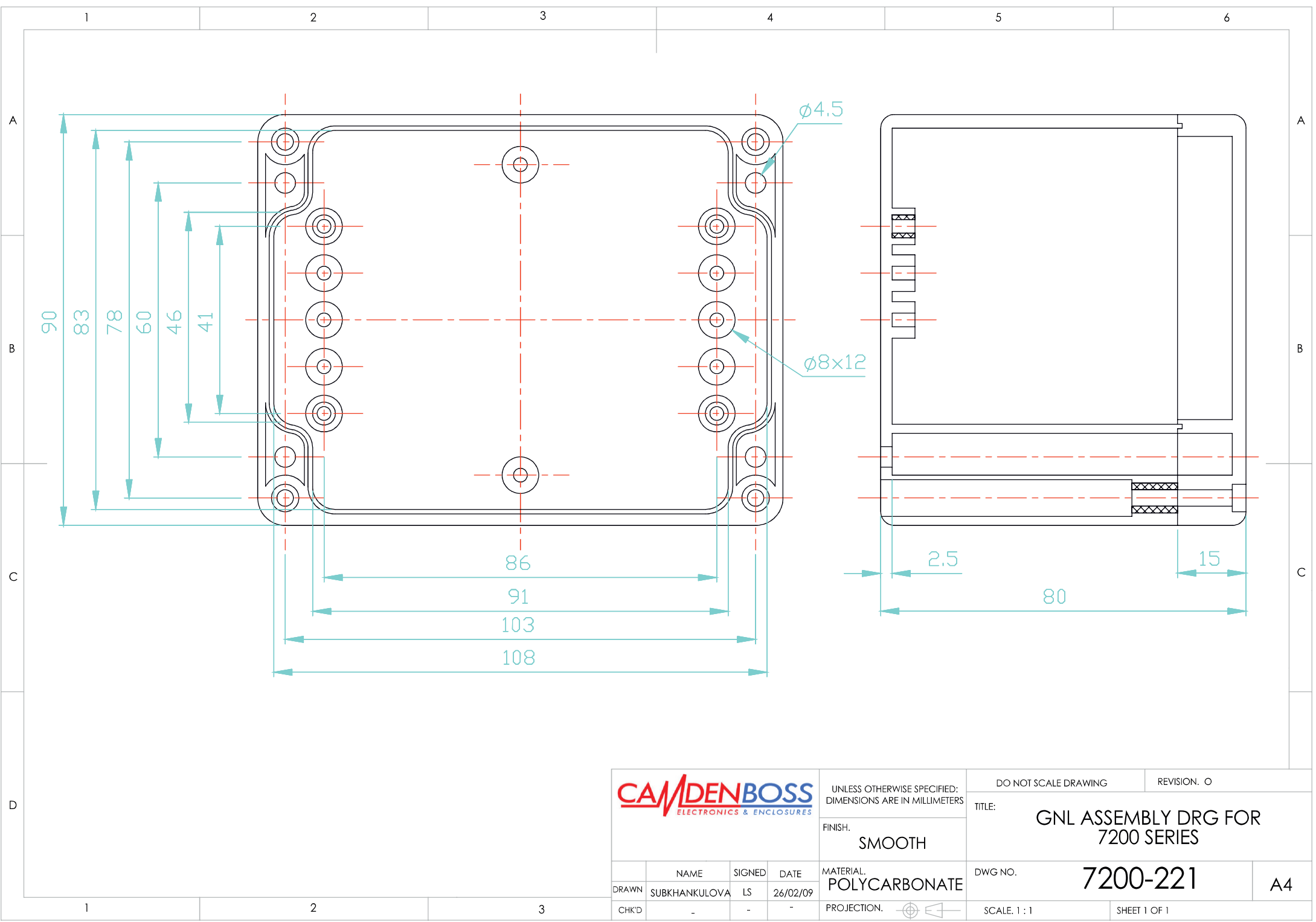


				UNLESS OTHERWISE SPECIFIED: DIMENSIONS ARE IN MILLIMETERS		DO NOT SCALE DRAWING	REVISION. 0
				FINISH. SMOOTH		TITLE: GNL ASSEMBLY DRG FOR 7200 SERIES	
DRAWN	NAME L SUBKHANKULOVA	SIGNED LS	DATE 26/02/09	MATERIAL. POLYCARBONATE	DWG NO.	7200-203	A4
CHK'D	-	-	-	PROJECTION.	SCALE. 1 : 1	SHEET 1 OF 1	



				UNLESS OTHERWISE SPECIFIED: DIMENSIONS ARE IN MILLIMETERS		DO NOT SCALE DRAWING		REVISION. O	
				FINISH. SMOOTH		TITLE: GNL ASSEMBLY DRG FOR 7200 SERIES			
DRAWN/ SUBKHANKULOVA		NAME	SIGNED	DATE	MATERIAL. POLYCARBONATE		DWG NO. 7200-205		A4
CHK'D		-	-	-	PROJECTION.		SCALE. 1 : 1		SHEET 1 OF 1

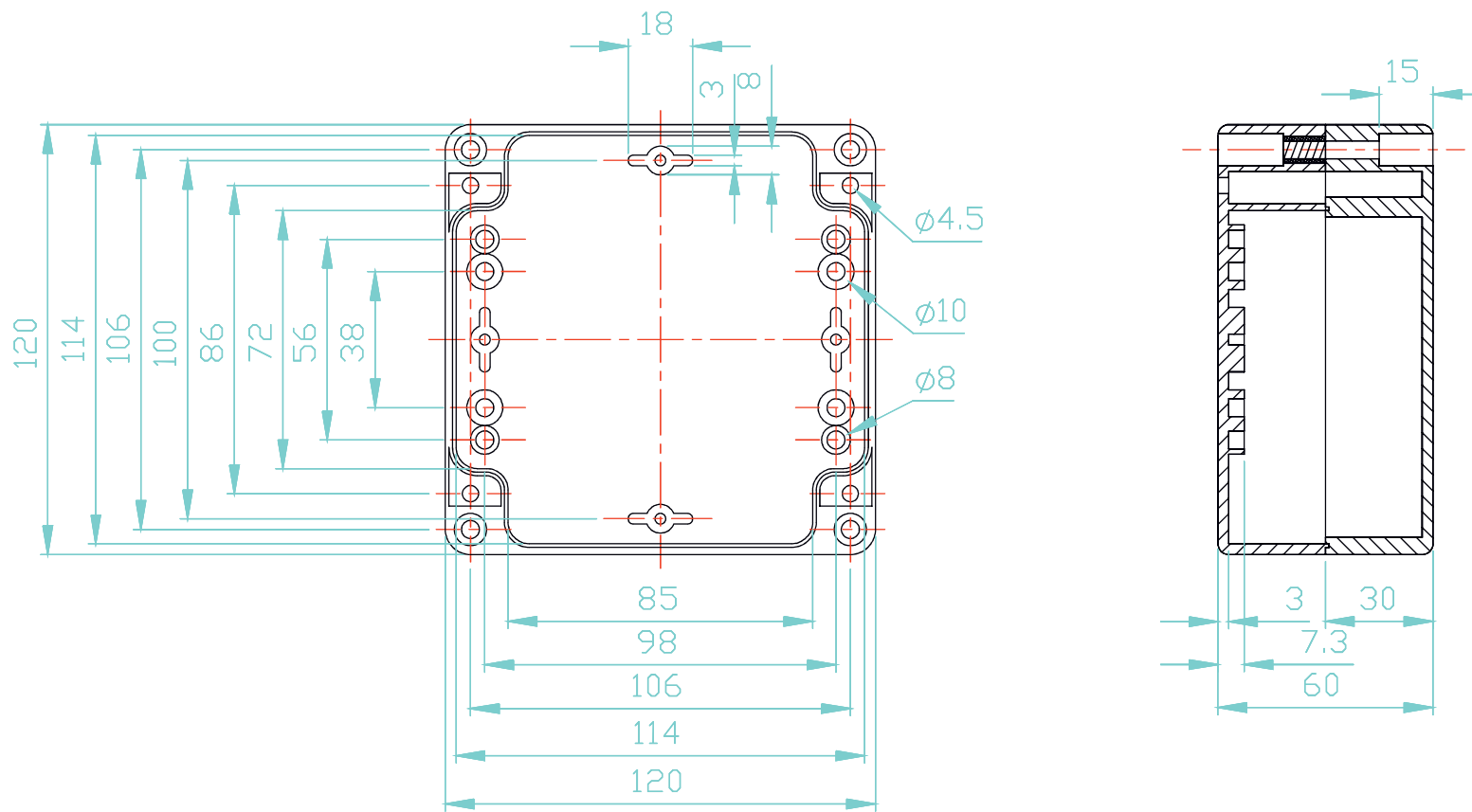




				UNLESS OTHERWISE SPECIFIED: DIMENSIONS ARE IN MILLIMETERS		DO NOT SCALE DRAWING		REVISION. 0	
				FINISH. SMOOTH		TITLE: GNL ASSEMBLY DRG FOR 7200 SERIES			
DRAWN	NAME	SIGNED	DATE	MATERIAL.	DWG NO.	7200-221		A4	
CHK'D	-	-	-	PROJECTION.	SCALE: 1 : 1		SHEET 1 OF 1		

UNLESS OTHERWISE SPECIFIED: DIMENSIONS ARE IN MILLIMETERS		DO NOT SCALE DRAWING		REVISION. 0					
FINISH. SMOOTH		TITLE: GNL ASSEMBLY DRG FOR 7200 SERIES							
DRAWN	NAME	SIGNED	DATE	MATERIAL.	DWG NO.	7200-221		A4	
CHK'D	-	-	-	PROJECTION.	SCALE: 1 : 1		SHEET 1 OF 1		





UNLESS OTHERWISE SPECIFIED:  
DIMENSIONS ARE IN MILLIMETERS

DO NOT SCALE DRAWING

REVISION. O

FINISH.  
SMOOTH

TITLE:

GNL ASSEMBLY DRG FOR  
7200 SERIES

DRAWN	NAME	SIGNED	DATE
	SUBKHANKULOVA	LS	26/02/09

MATERIAL.  
POLYCARBONATE

DWG NO.

7200-278

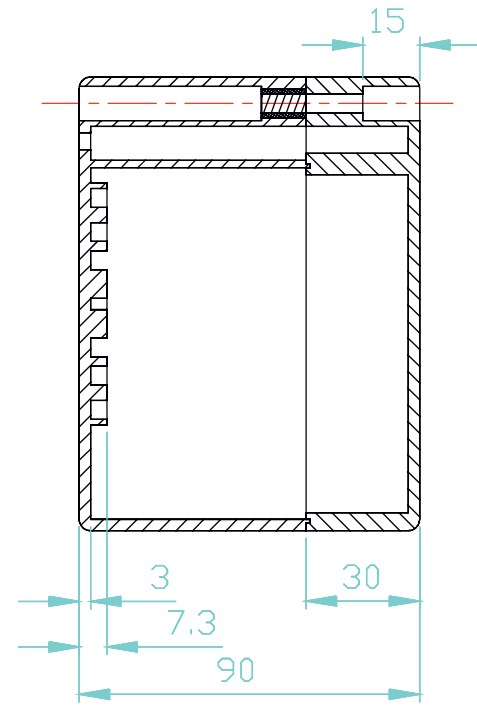
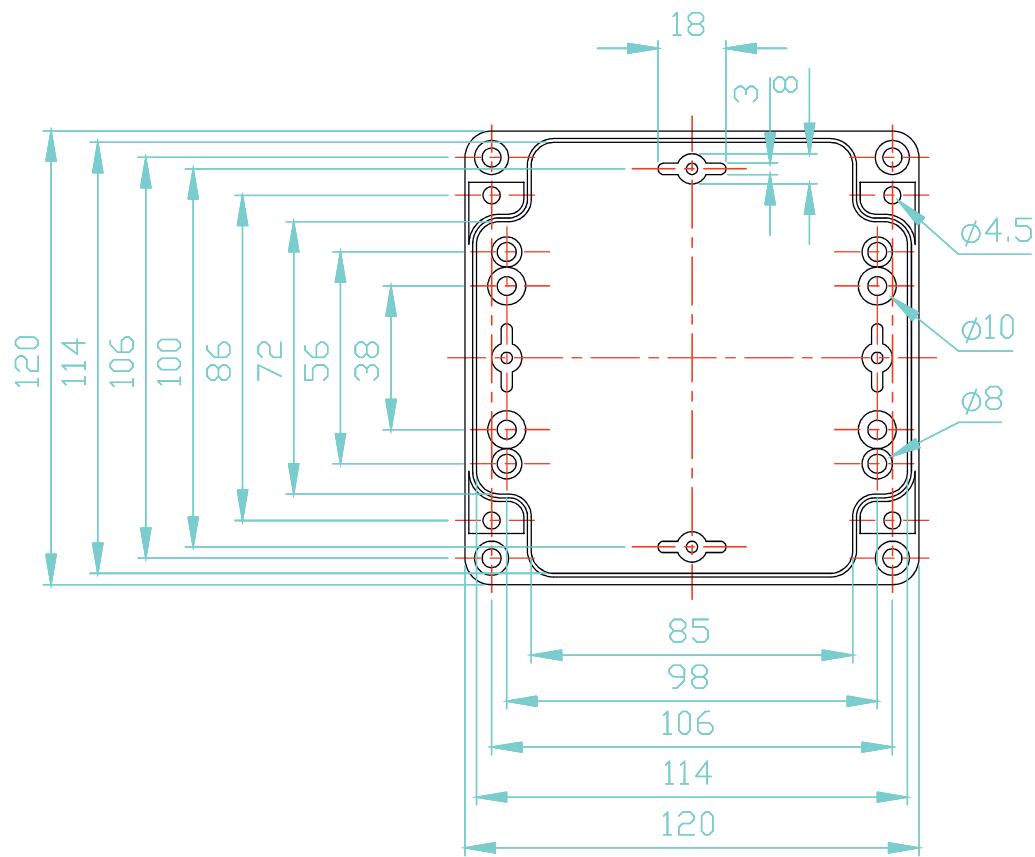
A4

CHK'D			
	-	-	-

PROJECTION.

SCALE. 1 : 2

SHEET 1 OF 1



UNLESS OTHERWISE SPECIFIED:  
DIMENSIONS ARE IN MILLIMETERS

FINISH.  
SMOOTH

DO NOT SCALE DRAWING

REVISION. O

TITLE:  
GNL ASSEMBLY DRG FOR  
7200 SERIES

	NAME	SIGNED	DATE
DRAWN	SUBKHANKULOVA	LS	26/02/09
CHK'D	-	-	-

MATERIAL.  
POLYCARBONATE

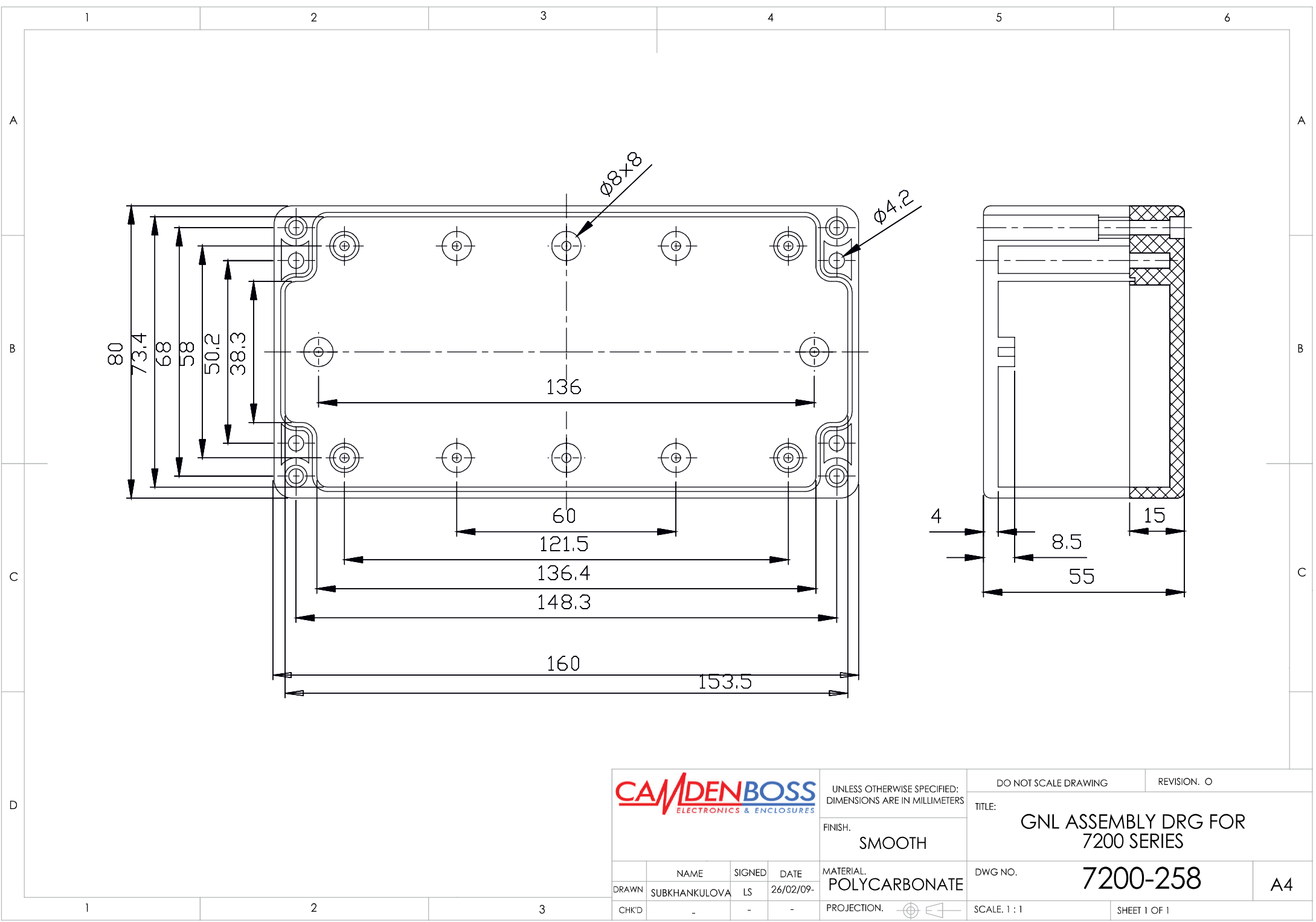
DWG NO.  
7200-279

A4

PROJECTION.

SCALE. 1 : 2

SHEET 1 OF 1



UNLESS OTHERWISE SPECIFIED:  
DIMENSIONS ARE IN MILLIMETERS

DO NOT SCALE DRAWING REVISION. 0

FINISH.  
SMOOTH

TITLE:  
GNL ASSEMBLY DRG FOR  
7200 SERIES

DRAWN	NAME	SIGNED	DATE
CHK'D			

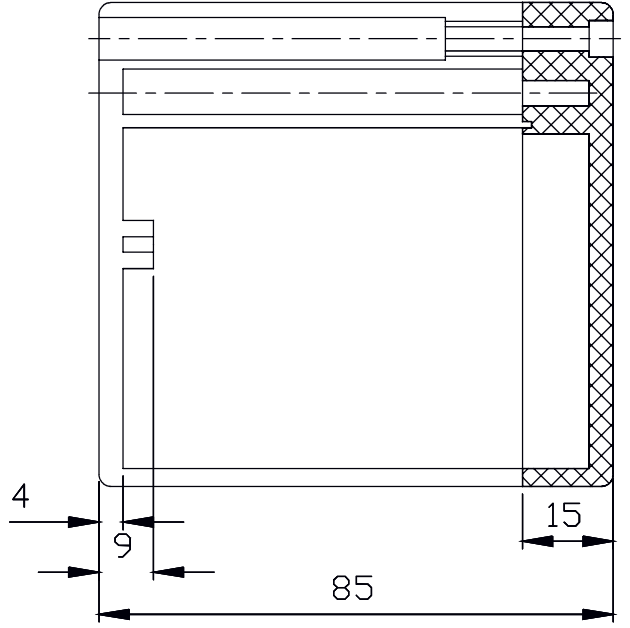
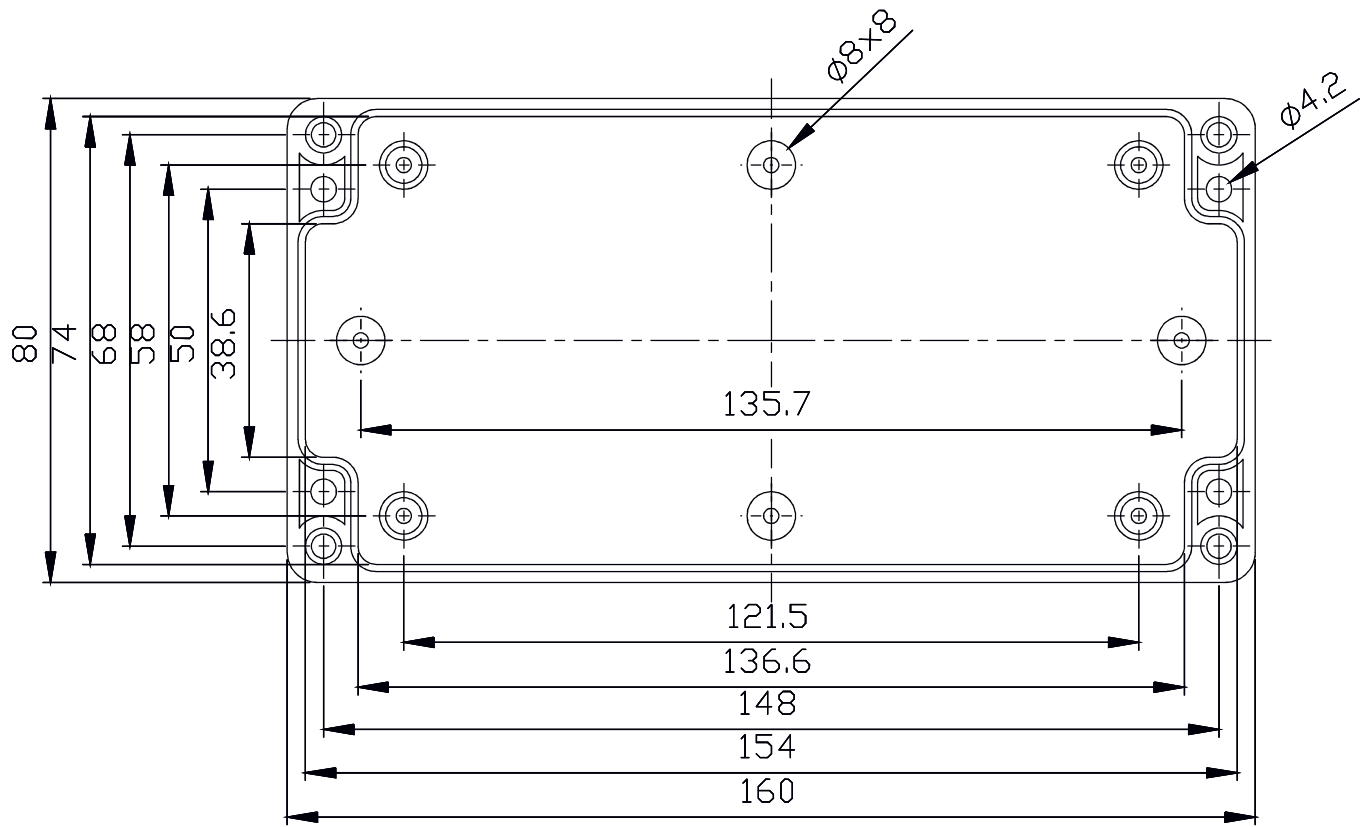
MATERIAL.  
POLYCARBONATE

PROJECTION.

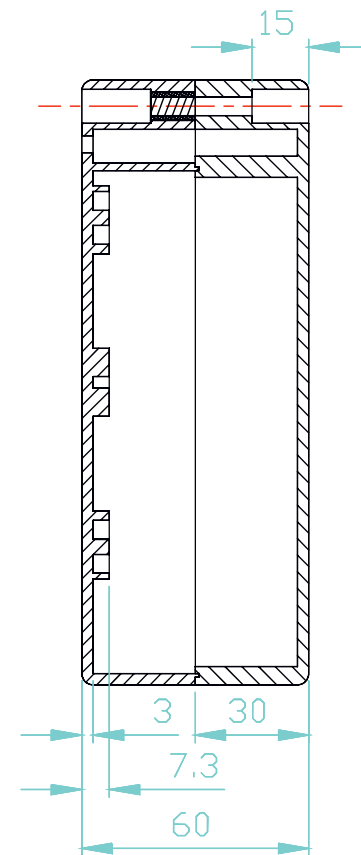
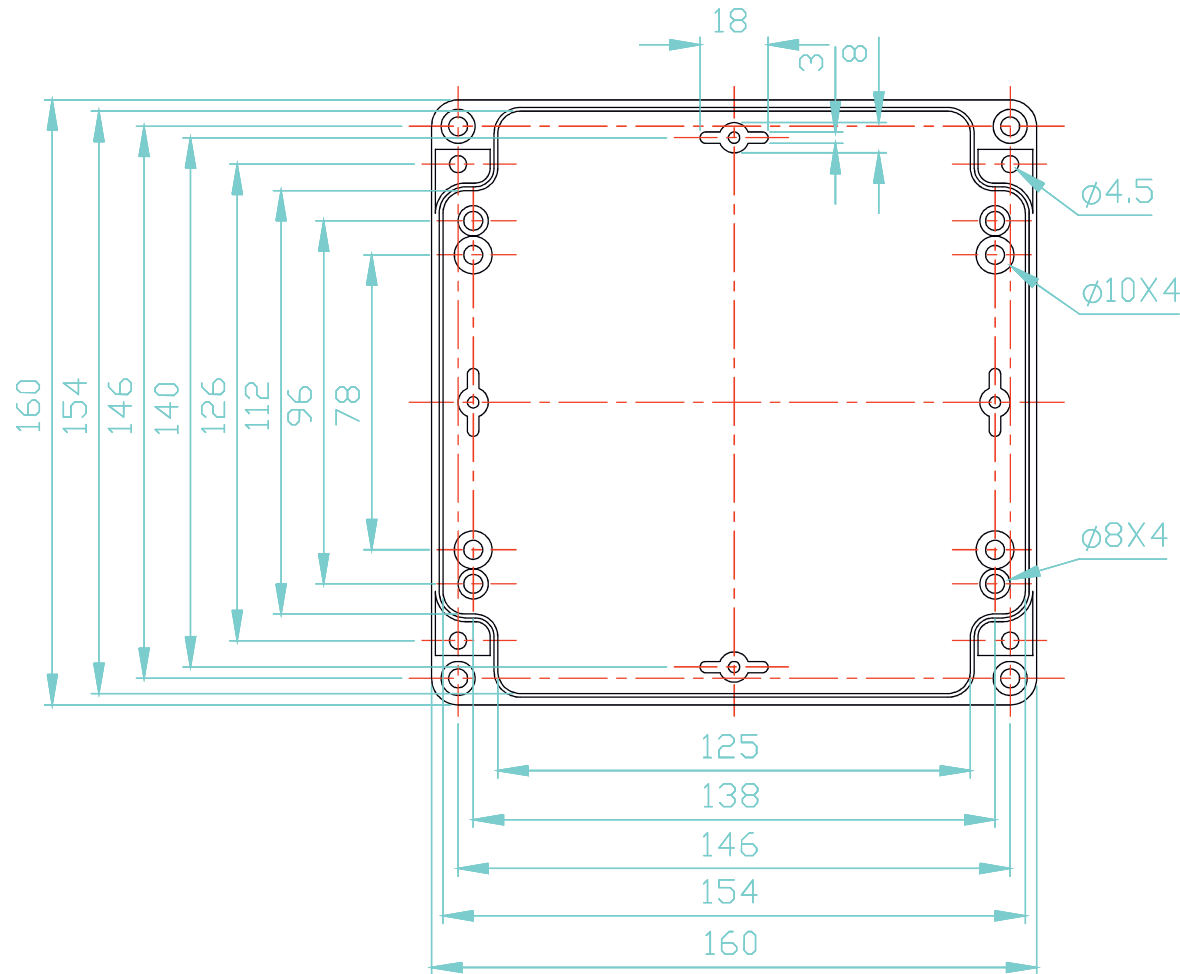
DWG NO. 7200-258

SCALE: 1 : 1 SHEET 1 OF 1

A4



				UNLESS OTHERWISE SPECIFIED: DIMENSIONS ARE IN MILLIMETERS		DO NOT SCALE DRAWING		REVISION. 0	
				FINISH. SMOOTH		TITLE: GNL ASSEMBLY DRG FOR 7200 SERIES			
DRAWN	NAME SUBKHANKULOVA	SIGNED LS	DATE 26/02/09	MATERIAL. POLYCARBONATE		DWG NO. 7200-265		A4	
CHK'D	-	-	-	PROJECTION.		SHEET 1 OF 1			



UNLESS OTHERWISE SPECIFIED:  
DIMENSIONS ARE IN MILLIMETERS

FINISH.  
SMOOTH

MATERIAL.  
POLYCARBONATE

PROJECTION.

DO NOT SCALE DRAWING

REVISION. 0

TITLE: GNL ASSEMBLY DRG FOR  
7200 SERIES

DRAWN	NAME	SIGNED	DATE
SUBKHANKULOVA	LS		26/02/09

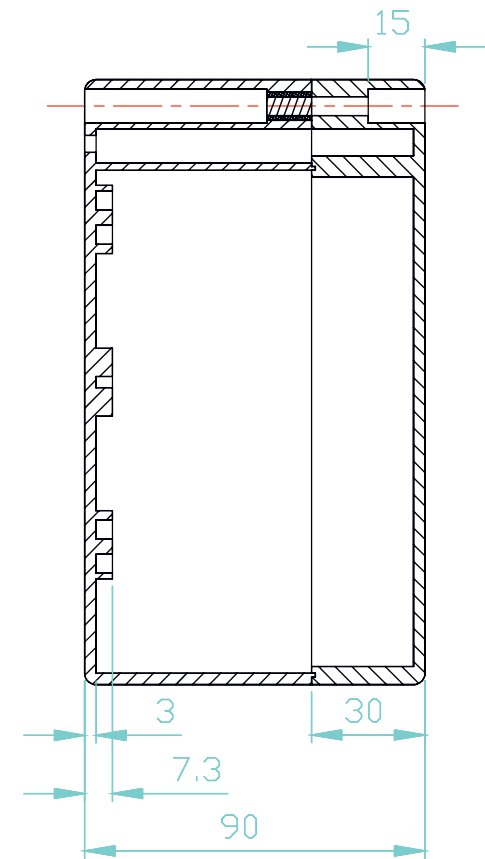
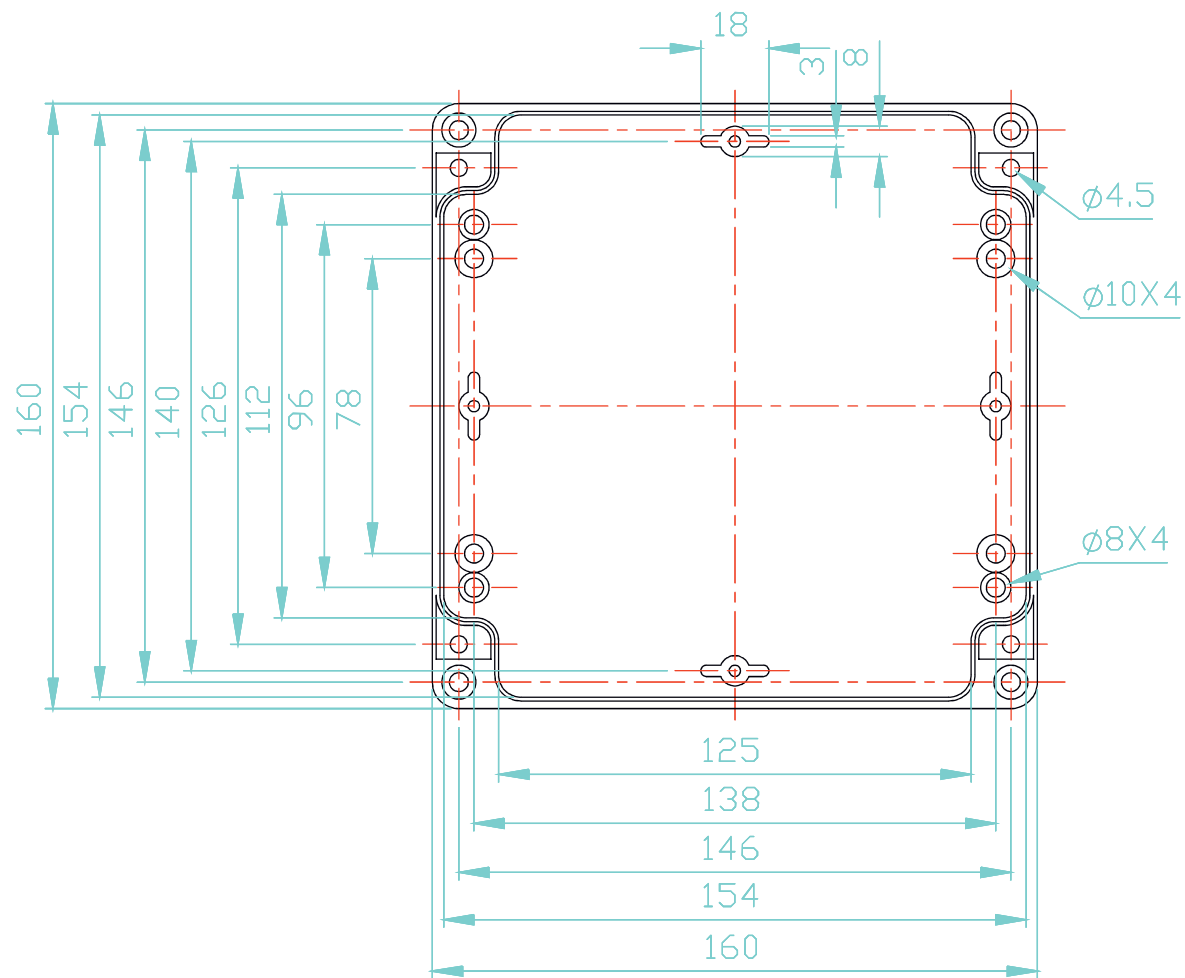
CHK'D	-	-	-
-------	---	---	---

DWG NO. 7200-287

A4

SCALE. 1 : 2

SHEET 1 OF 1



**CAMDENBOSS**  
ELECTRONICS & ENCLOSURES

UNLESS OTHERWISE SPECIFIED:  
DIMENSIONS ARE IN MILLIMETERS

FINISH.  
SMOOTH

DO NOT SCALE DRAWING

REVISION. 0

TITLE:  
GNL ASSEMBLY DRG FOR  
7200 SERIES

DRAWN	NAME	SIGNED	DATE
SUBKHANKULOVA	LS		26/02/09

MATERIAL.  
POLYCARBONATE

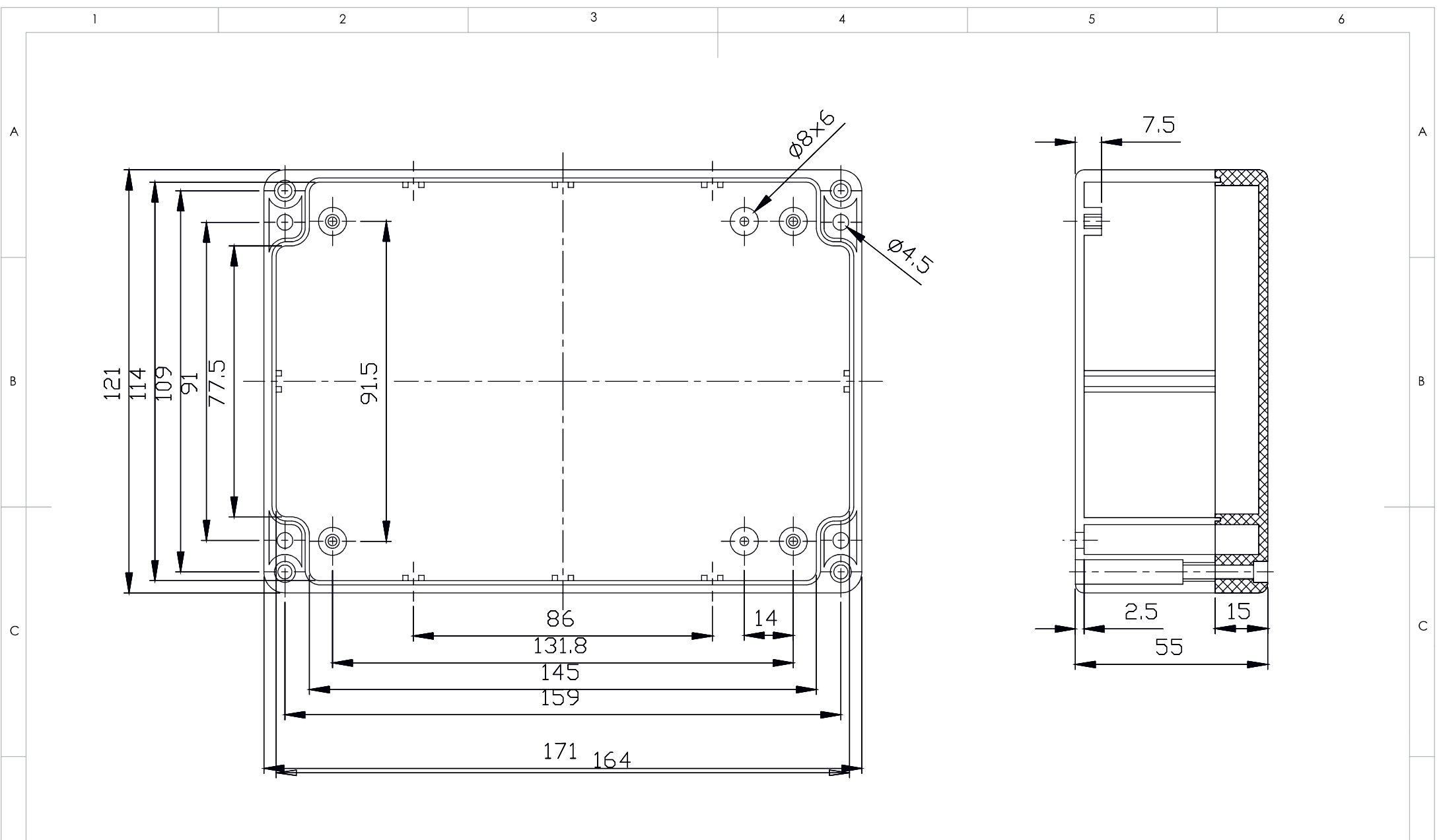
DWG NO. **7200-288**

A4

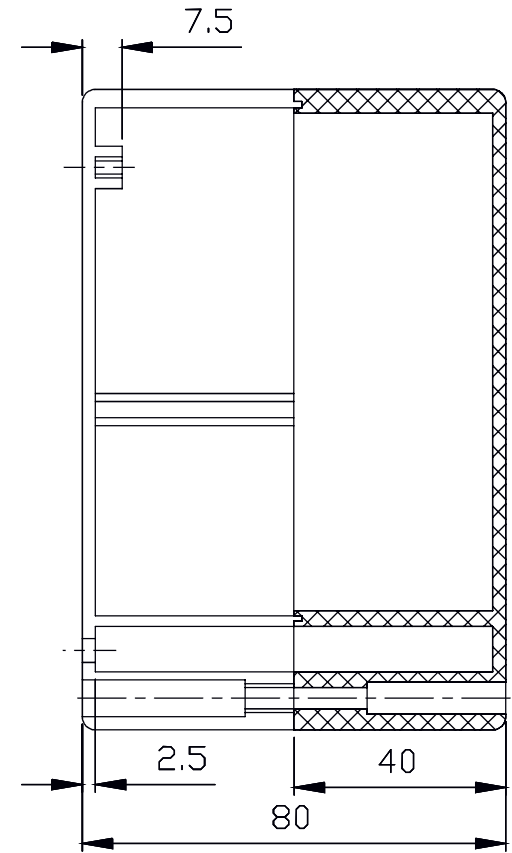
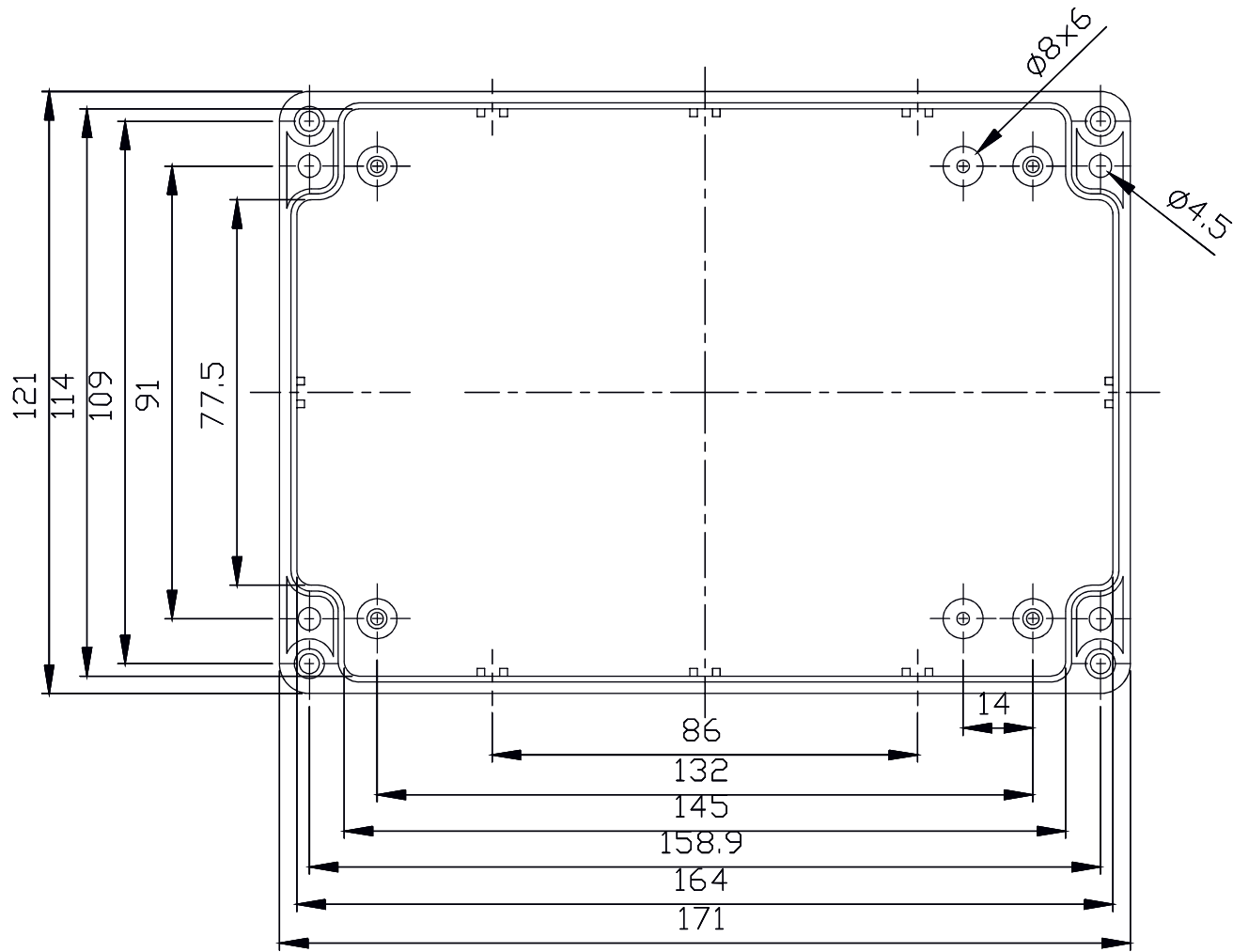
CHK'D - - - PROJECTION.

SCALE. 1 : 2

SHEET 1 OF 1



				UNLESS OTHERWISE SPECIFIED: DIMENSIONS ARE IN MILLIMETERS		DO NOT SCALE DRAWING	REVISION. 0
				FINISH. SMOOTH		TITLE: GNL ASSEMBLY DRG FOR 7200 SERIES	
DRAWN	NAME SUBKHANKULOVA	SIGNED LS	DATE 26/02/09	MATERIAL. POLYCARBONATE	DWG NO.	7200-214	A4
CHK'D	-	-	-	PROJECTION.	SCALE. 1 : 1	SHEET 1 OF 1	



UNLESS OTHERWISE SPECIFIED:  
DIMENSIONS ARE IN MILLIMETERS

DO NOT SCALE DRAWING

REVISION. 0

FINISH.

SMOOTH

TITLE:

GNL ASSEMBLY DRG FOR  
7200 SERIES

	NAME	SIGNED	DATE
DRAWN	SUBKHANKULOVA	LS	26/02/09
CHK'D	-	-	-

MATERIAL.  
POLYCARBONATE

DWG NO.

7200-223

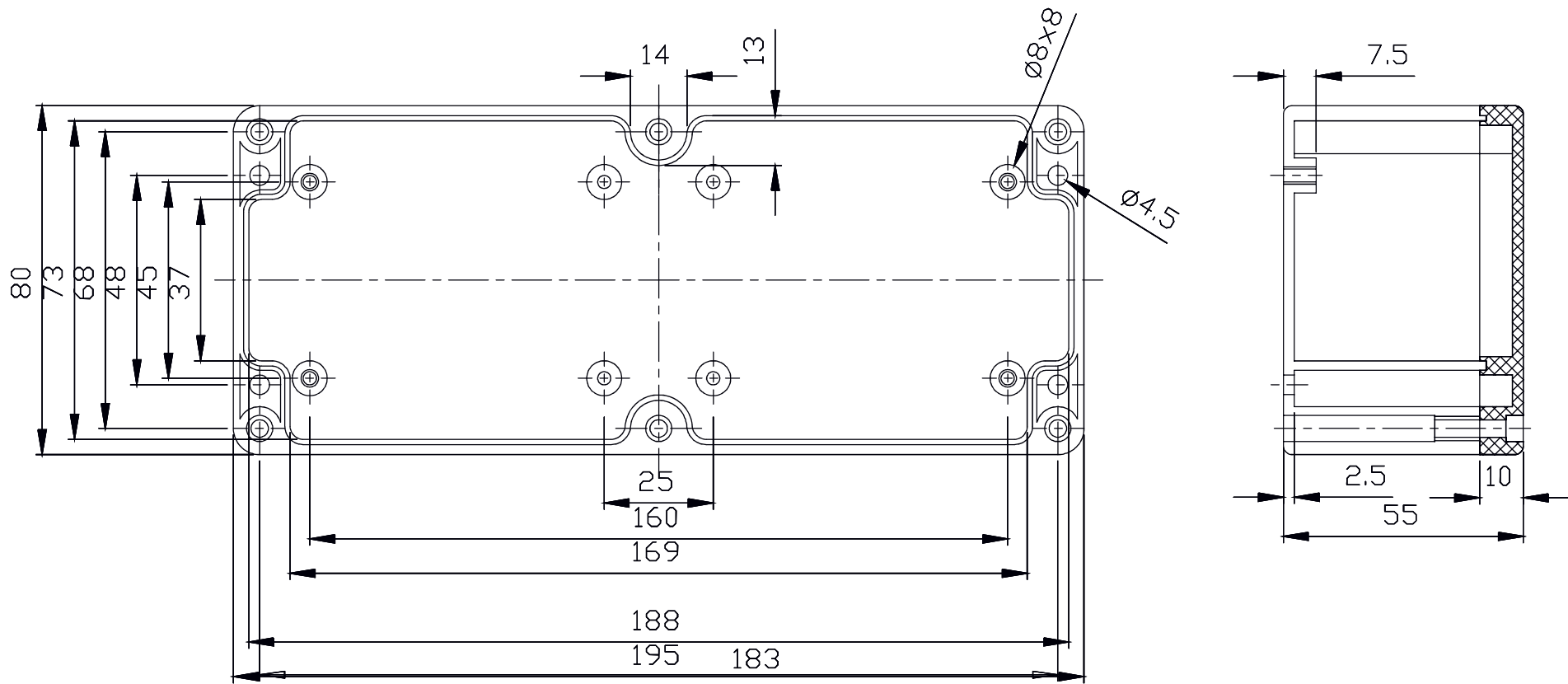
A4

PROJECTION.

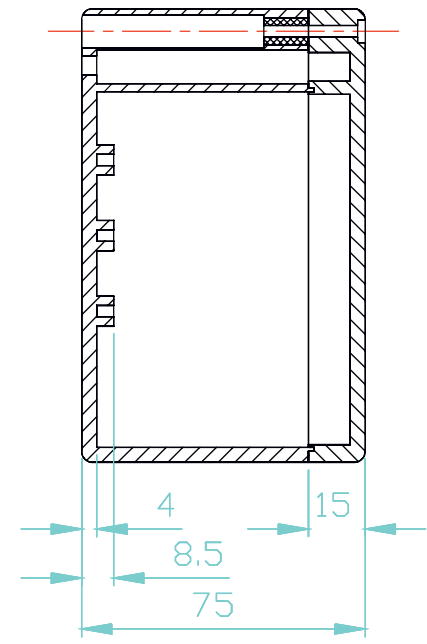
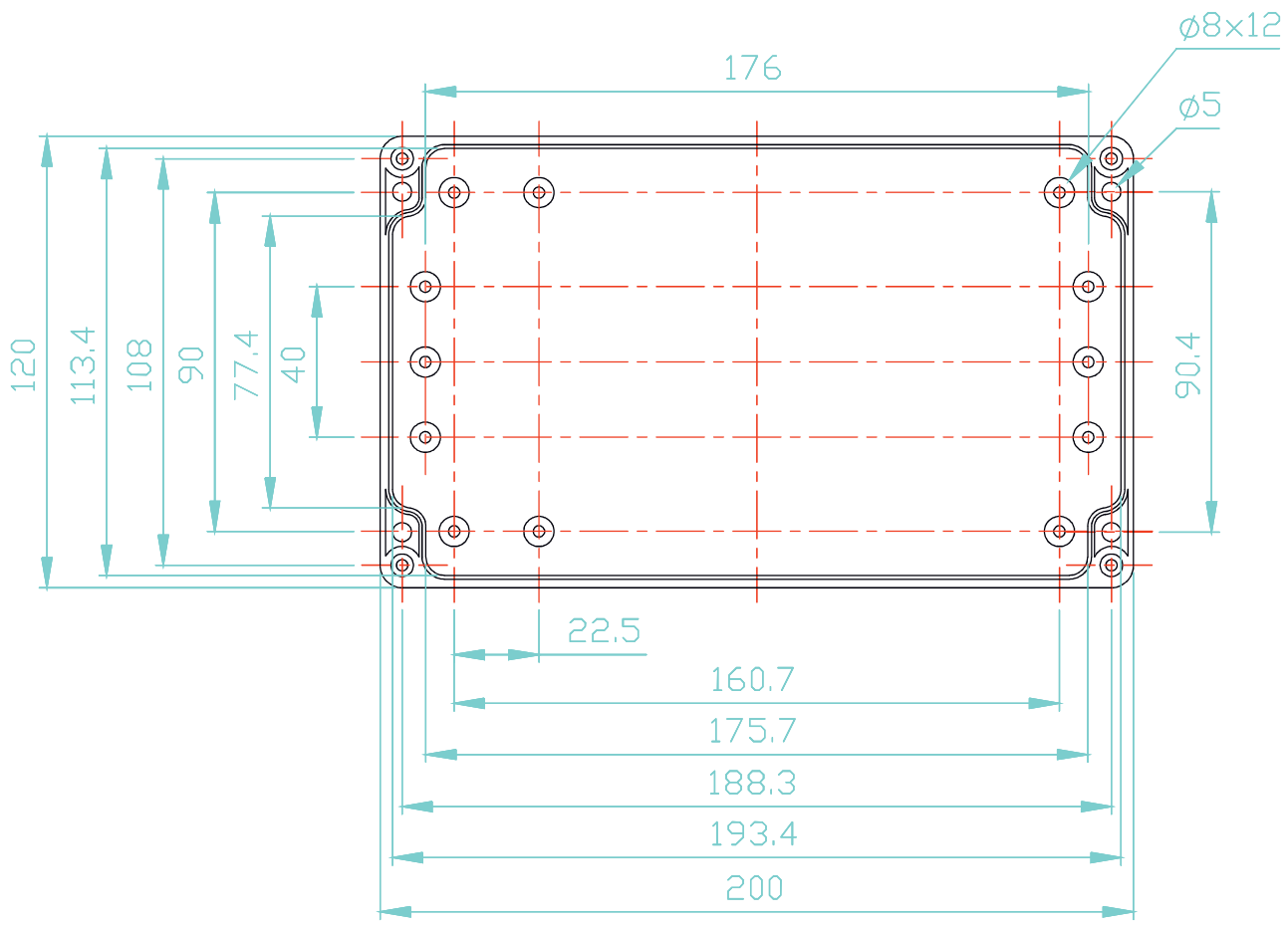
SCALE: 1 : 1

SHEET 1 OF 1





				UNLESS OTHERWISE SPECIFIED: DIMENSIONS ARE IN MILLIMETERS		DO NOT SCALE DRAWING		REVISION. 0	
				FINISH. SMOOTH		TITLE: GNL ASSEMBLY DRG FOR 7200 SERIES			
DRAWN		NAME	SIGNED	DATE	MATERIAL.		DWG NO.		A4
SUBKHANKULOVA		LS	26/02/09	POLYCARBONATE		7200-229			
CHK'D		-	-	-	PROJECTION.		SCALE. 1 : 1		SHEET 1 OF 1



UNLESS OTHERWISE SPECIFIED:  
DIMENSIONS ARE IN MILLIMETERS

FINISH.  
SMOOTH

DO NOT SCALE DRAWING

REVISION. 0

TITLE:  
GNL ASSEMBLY DRG FOR  
7200 SERIES

DRAWN	NAME	SIGNED	DATE
CHK'D			

MATERIAL.  
POLYCARBONATE

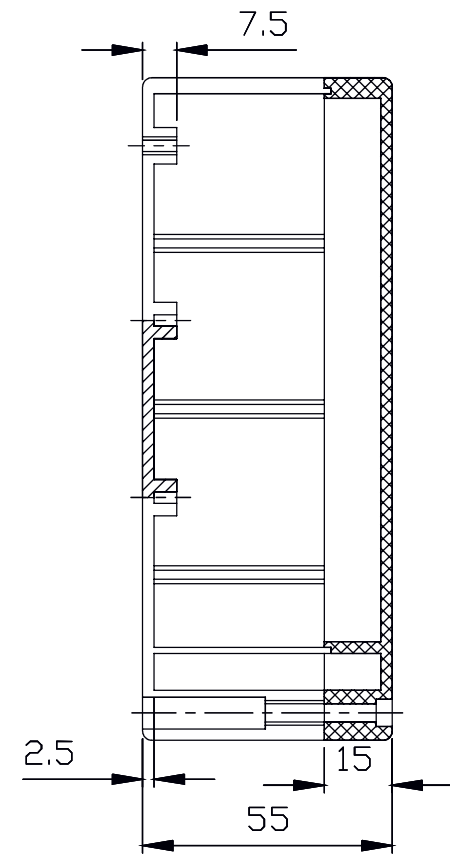
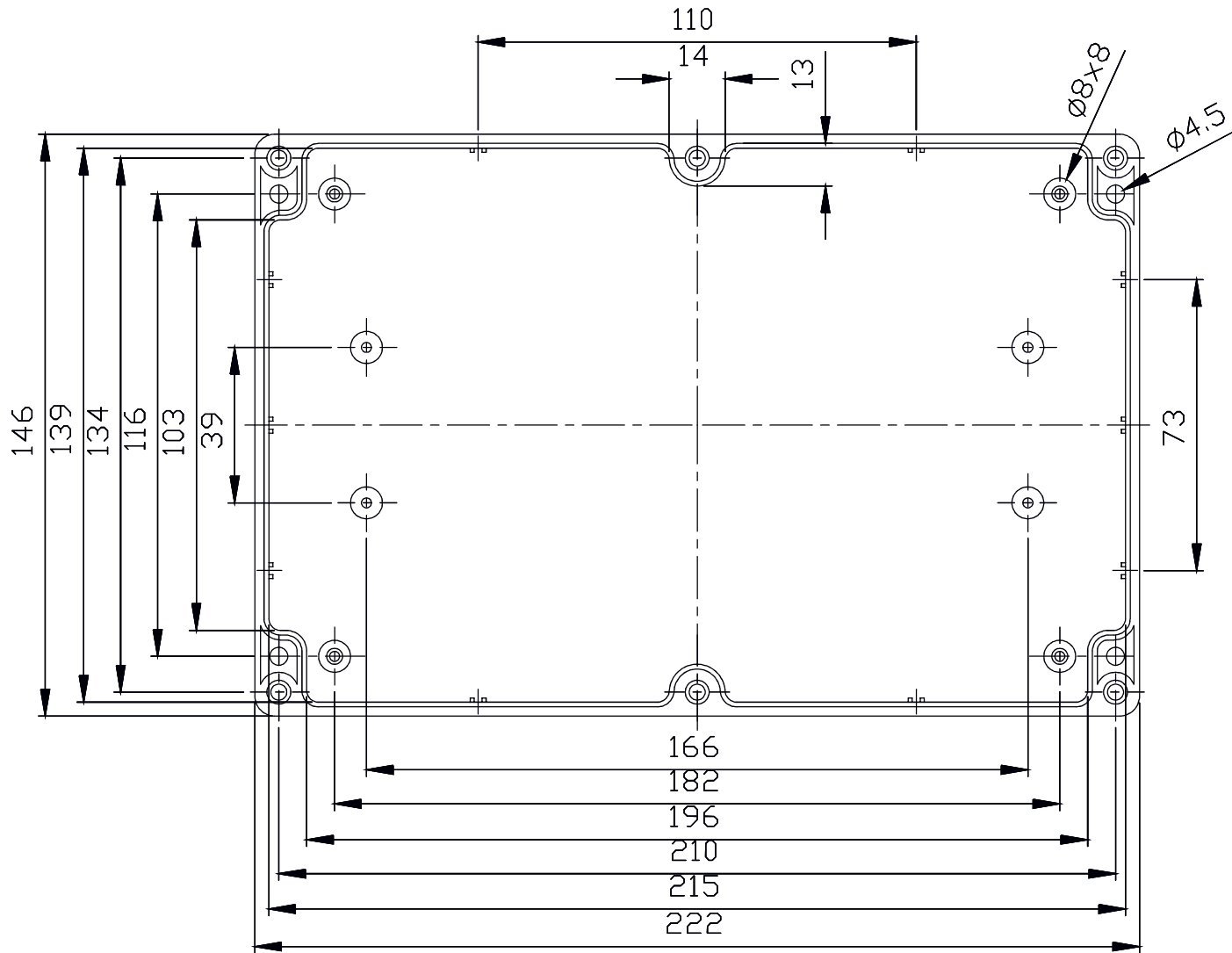
PROJECTION.

DWG NO. 7200-269

SCALE: 1 : 2

SHEET 1 OF 1

A4



UNLESS OTHERWISE SPECIFIED:  
DIMENSIONS ARE IN MILLIMETERS

FINISH.  
SMOOTH

MATERIAL.  
POLYCARBONATE

PROJECTION.

DO NOT SCALE DRAWING

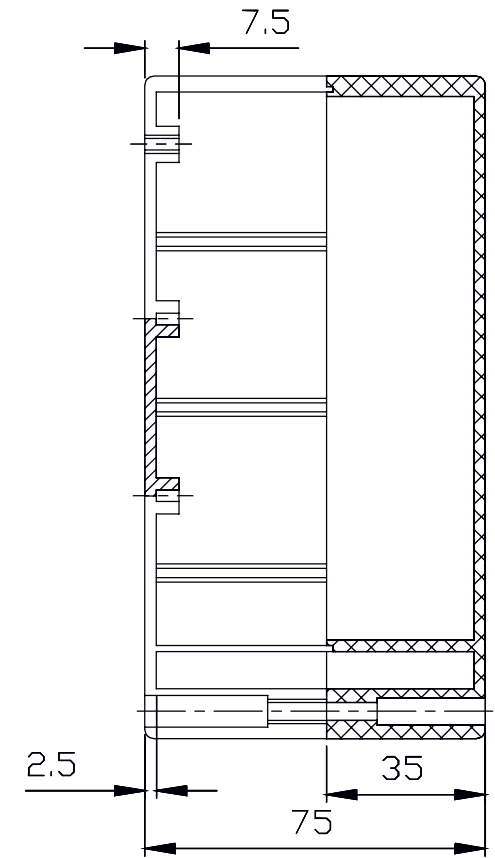
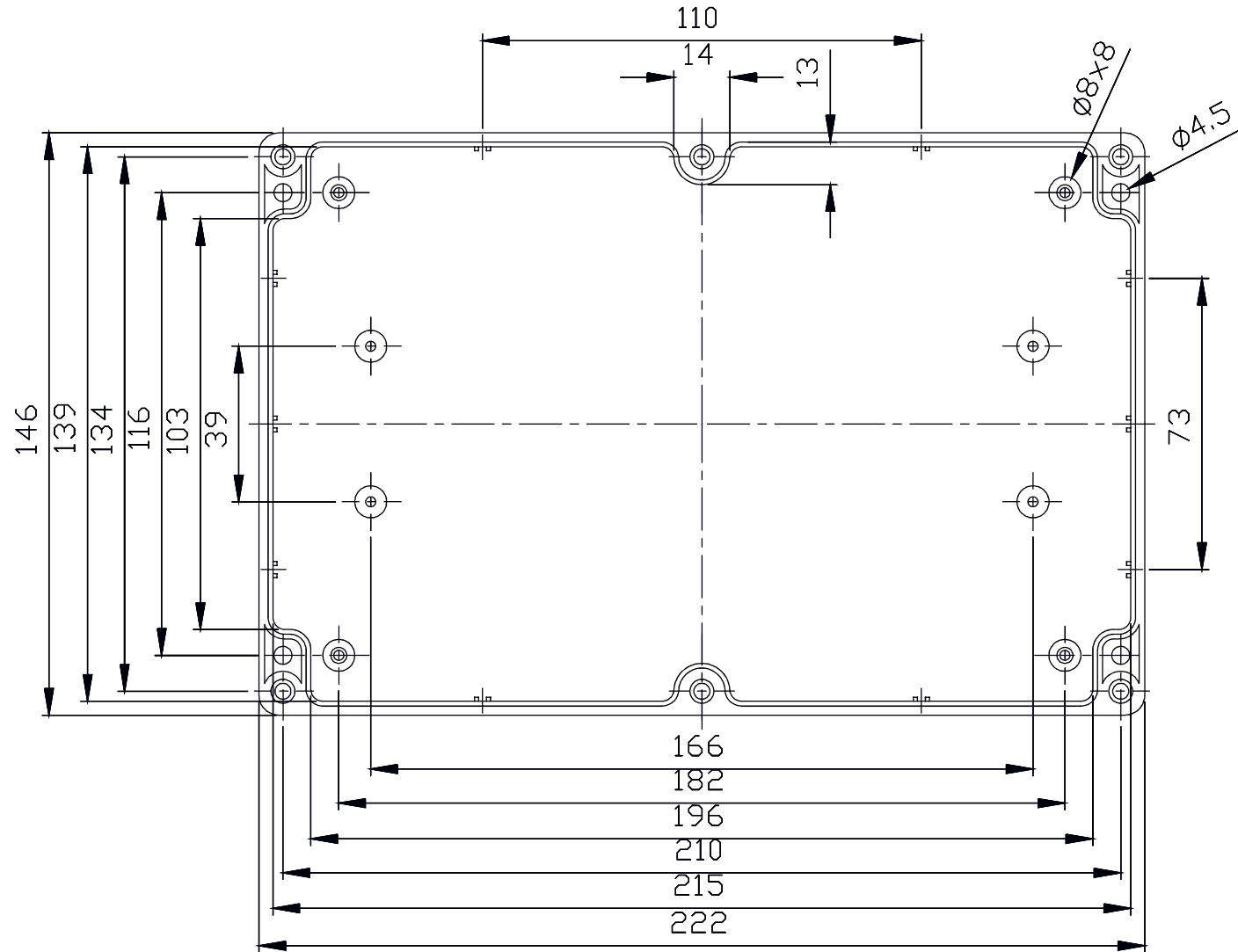
REVISION. 0

TITLE:  
GNL ASSEMBLY DRG FOR  
7200 SERIES

DRAWN	NAME	SIGNED	DATE
SUBKHANKULOVA	LS		26/02/09

CHK'D	NAME	SIGNED	DATE
-	-	-	-

DWG NO.	SCALE	SHEET	SIZE
7200-218	1 : 1	1 OF 1	A4



**CAMDENBOSS**  
ELECTRONICS & ENCLOSURES

UNLESS OTHERWISE SPECIFIED:  
DIMENSIONS ARE IN MILLIMETERS

DO NOT SCALE DRAWING

REVISION: 0

FINISH:  
SMOOTH

TITLE:  
GNL ASSEMBLY DRG FOR  
7200 SERIES

DRAWN	NAME	SIGNED	DATE
CHK'D	SUBKHANKULOVA	LS	26/02/09

MATERIAL:  
POLYCARBONATE

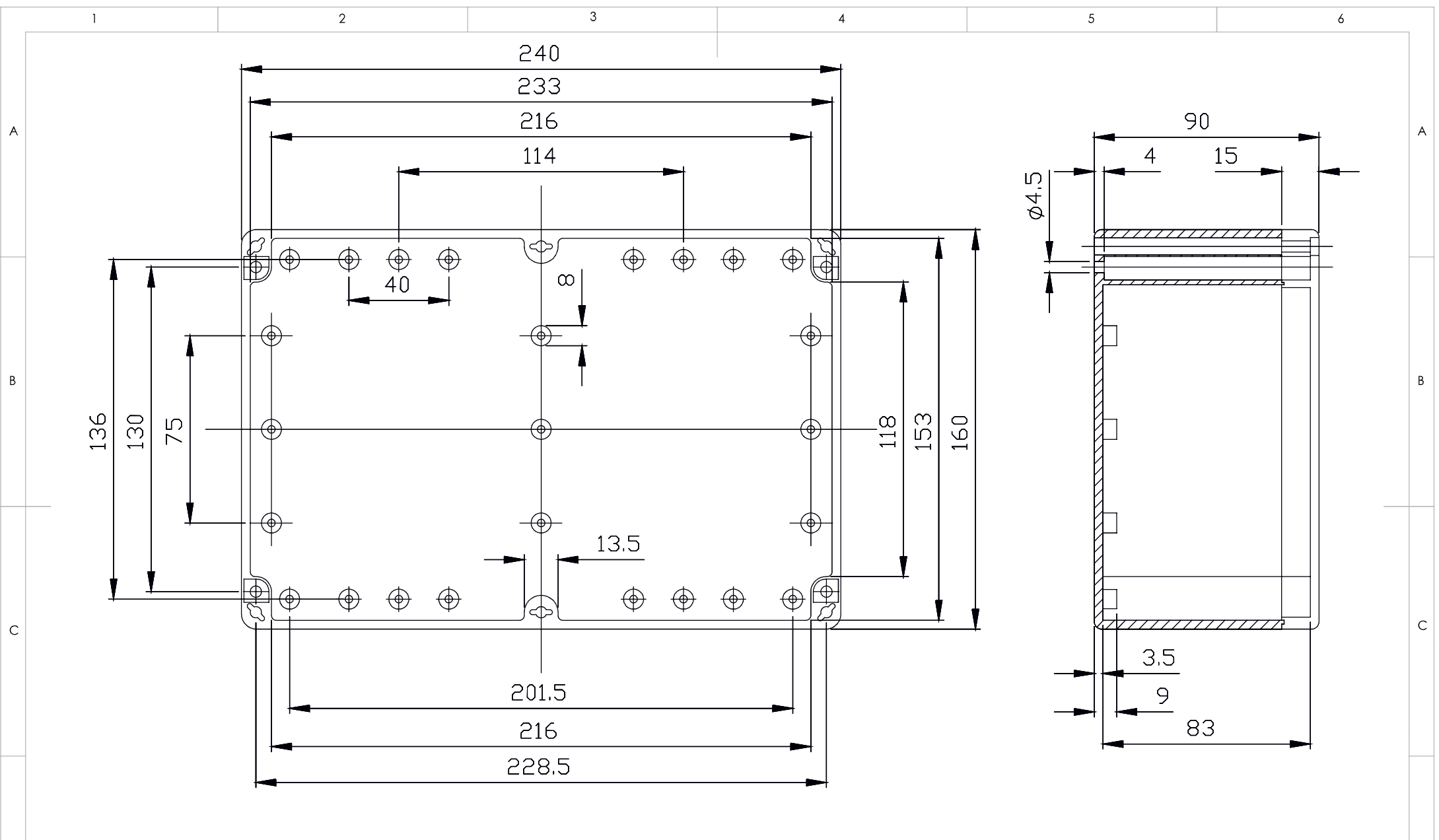
DWG NO. **7200-232**

A4

PROJECTION:

SCALE: 1 : 2

SHEET 1 OF 1



UNLESS OTHERWISE SPECIFIED:  
DIMENSIONS ARE IN MILLIMETERS

DO NOT SCALE DRAWING      REVISION. 0

FINISH.  
**SMOOTH**

TITLE:  
**GNL ASSEMBLY DRG FOR  
7200 SERIES**

DRAWN	NAME	SIGNED	DATE
CHK'D			

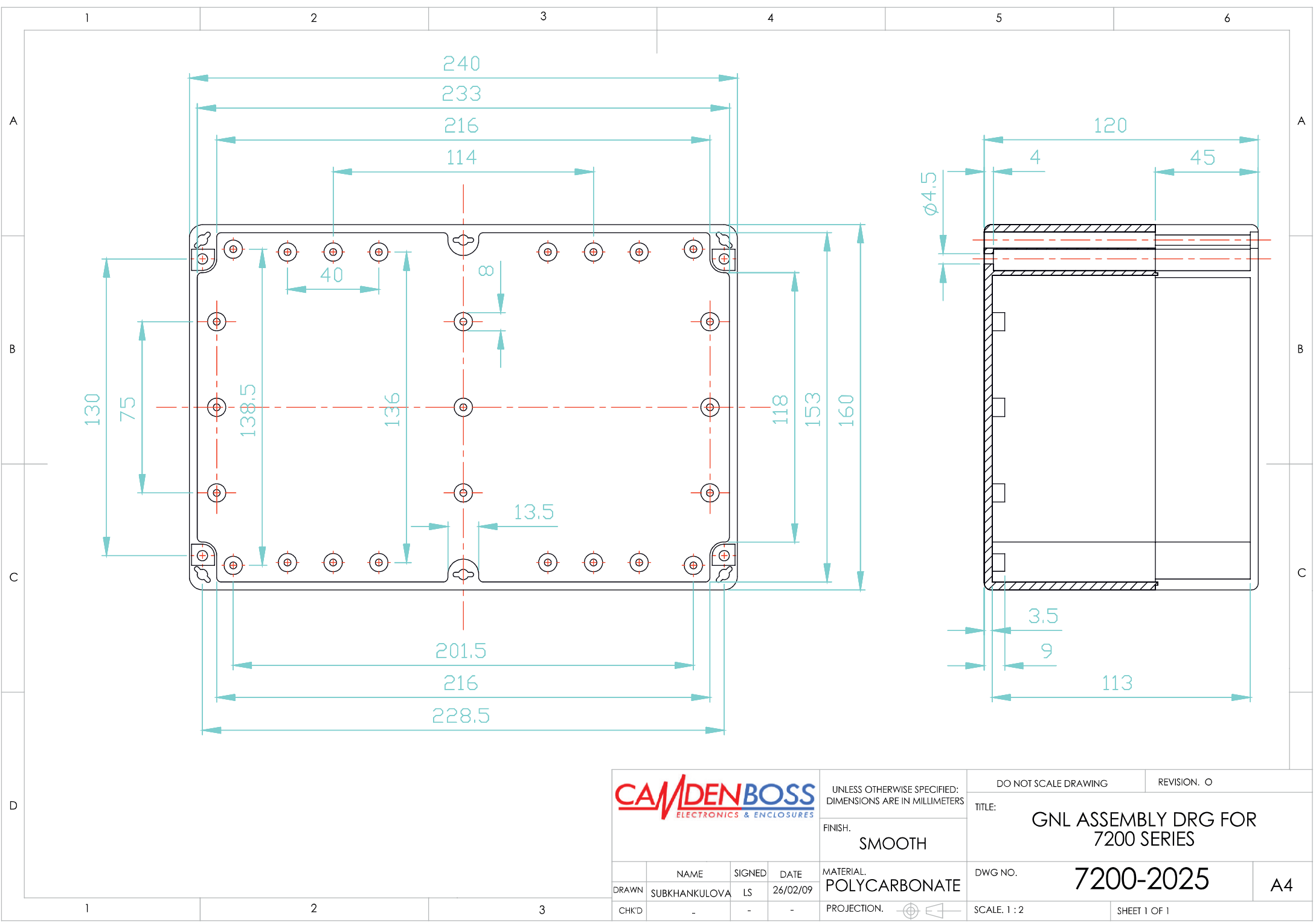
MATERIAL.  
**POLYCARBONATE**

DWG NO.      **7200-2018**      A4

NAME	SIGNED	DATE
SUBKHANKULVA	LS	26/02/09
-	-	-

PROJECTION.

SCALE. 1 : 2      SHEET 1 OF 1



UNLESS OTHERWISE SPECIFIED:  
DIMENSIONS ARE IN MILLIMETERS

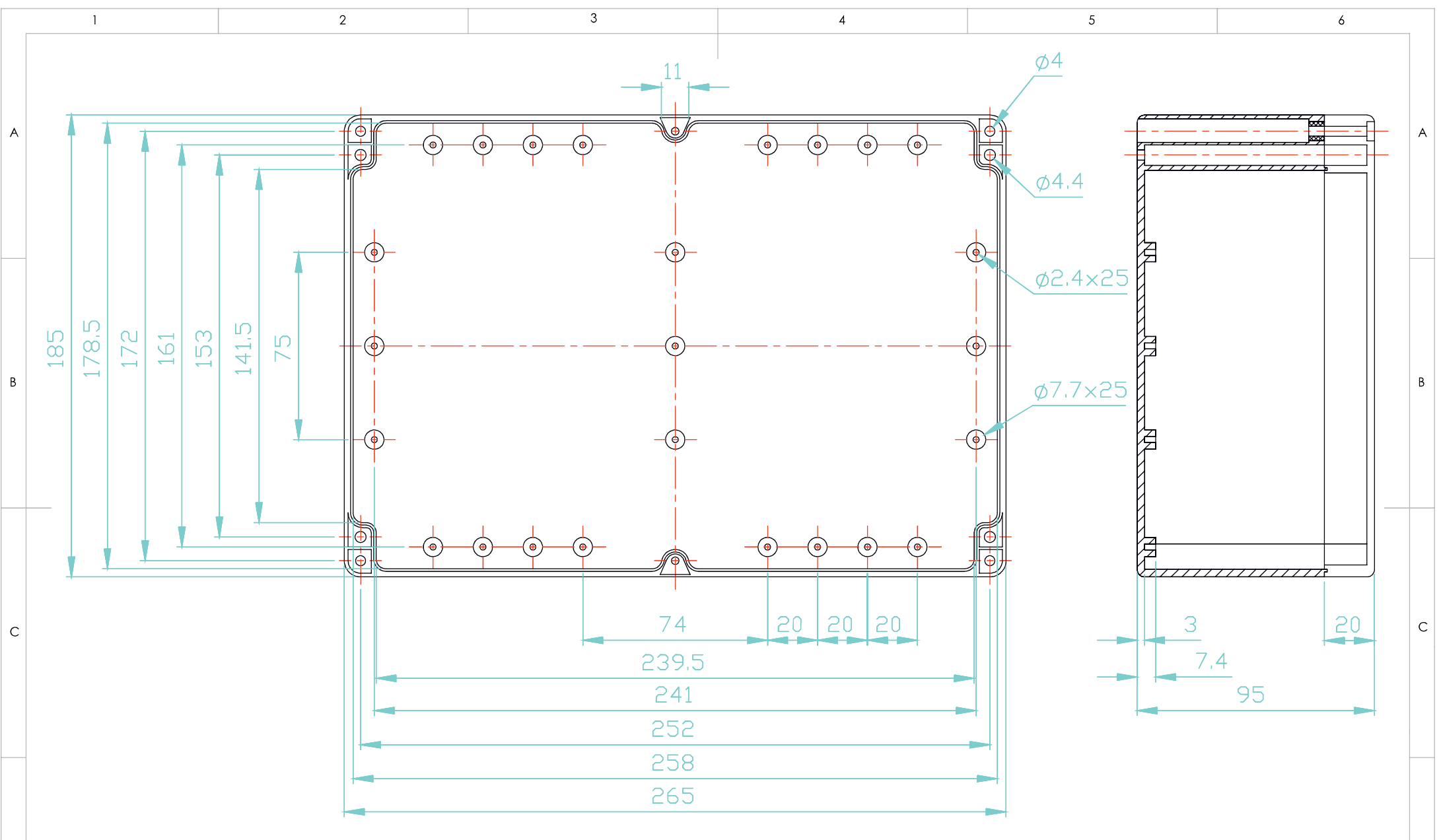
FINISH.  
**SMOOTH**

MATERIAL.  
**POLYCARBONATE**

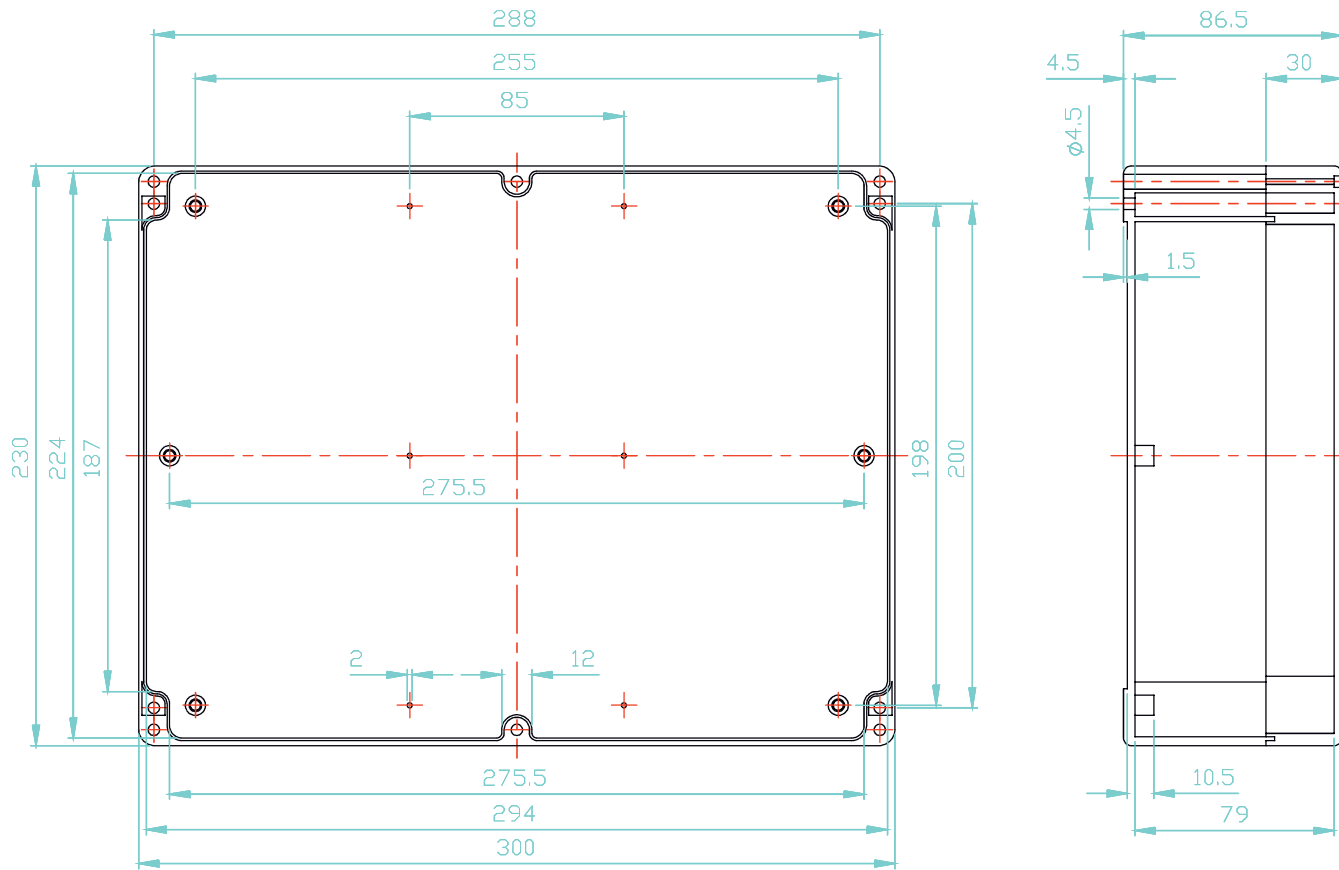
PROJECTION.

DO NOT SCALE DRAWING		REVISION. 0	
TITLE: <b>GNL ASSEMBLY DRG FOR 7200 SERIES</b>			
DWG NO.	<b>7200-2025</b>		<b>A4</b>
SCALE. 1 : 2	SHEET 1 OF 1		

DRAWN	NAME	SIGNED	DATE
CHK'D	SUBKHANKULOVA	LS	26/02/09
	-	-	-



				UNLESS OTHERWISE SPECIFIED: DIMENSIONS ARE IN MILLIMETERS		DO NOT SCALE DRAWING		REVISION. 0	
				FINISH. SMOOTH		TITLE: GNL ASSEMBLY DRG FOR 7200 SERIES			
DRAWN SUBKHANKULOVA		SIGNED LS	DATE 26/02/09	MATERIAL. POLYCARBONATE		DWG NO. 7200-238		A4	
CHK'D -		-	-	PROJECTION.		SCALE. 1 : 1		SHEET 1 OF 1	



UNLESS OTHERWISE SPECIFIED:  
DIMENSIONS ARE IN MILLIMETERS

FINISH.  
SMOOTH

MATERIAL.  
POLYCARBONATE

PROJECTION.

DO NOT SCALE DRAWING

REVISION. 0

TITLE:

**GNL ASSEMBLY DRG FOR  
7200 SERIES**

DRAWN	NAME	SIGNED	DATE
	SUBKHANKULOVA	LS	26/02/09

CHK'D	NAME	SIGNED	DATE
	-	-	-

DWG NO.

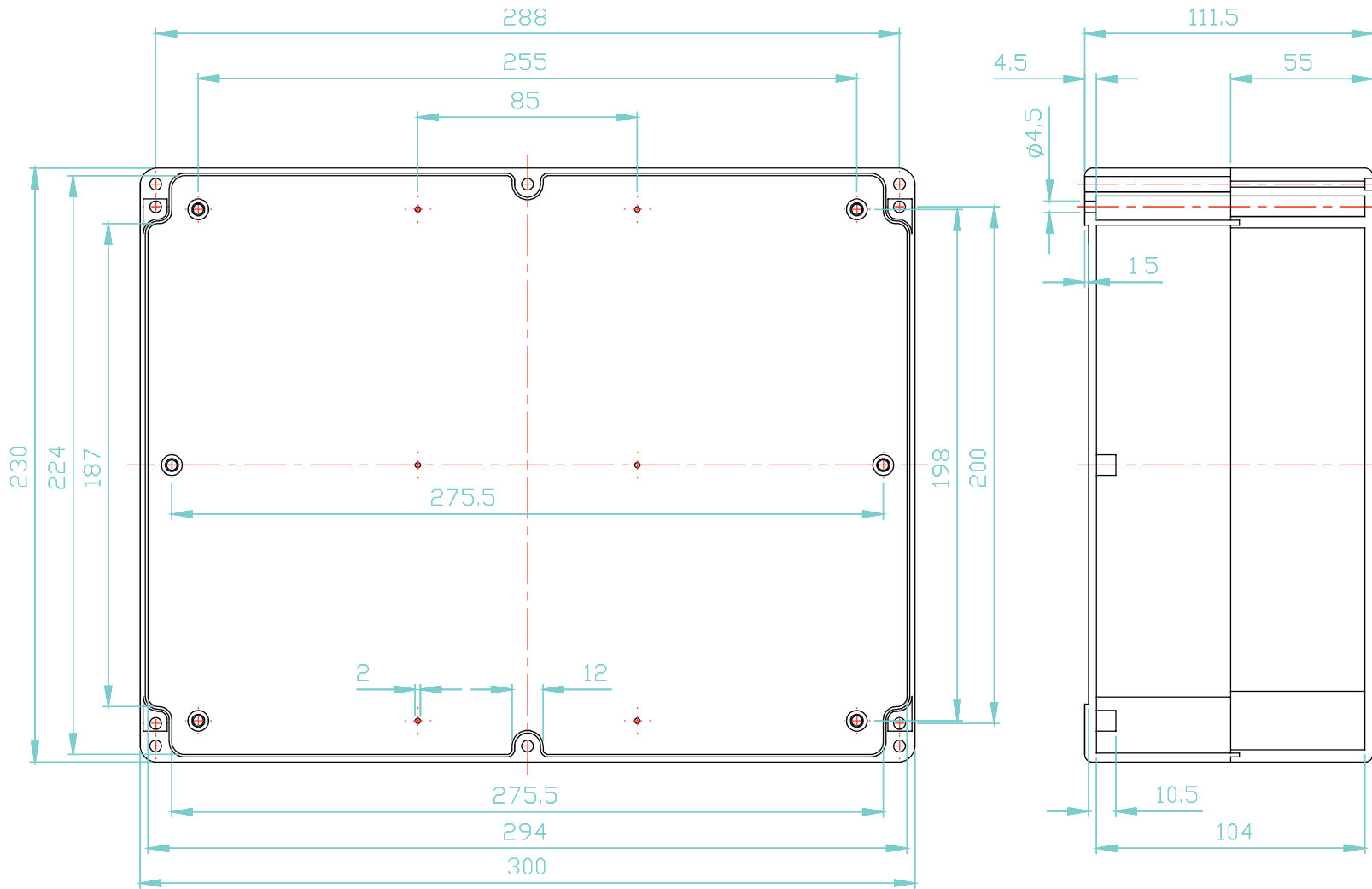
**7200-2029**

A4

SCALE. 1 : 3

SHEET 1 OF 1





UNLESS OTHERWISE SPECIFIED:  
DIMENSIONS ARE IN MILLIMETERS

DO NOT SCALE DRAWING

REVISION. 0

FINISH.  
SMOOTH

TITLE:  
GNL ASSEMBLY DRG FOR  
7200 SERIES

DRAWN	NAME	SIGNED	DATE
	SUBKHANKULOVA	LS	26/02/09

MATERIAL.  
POLYCARBONATE

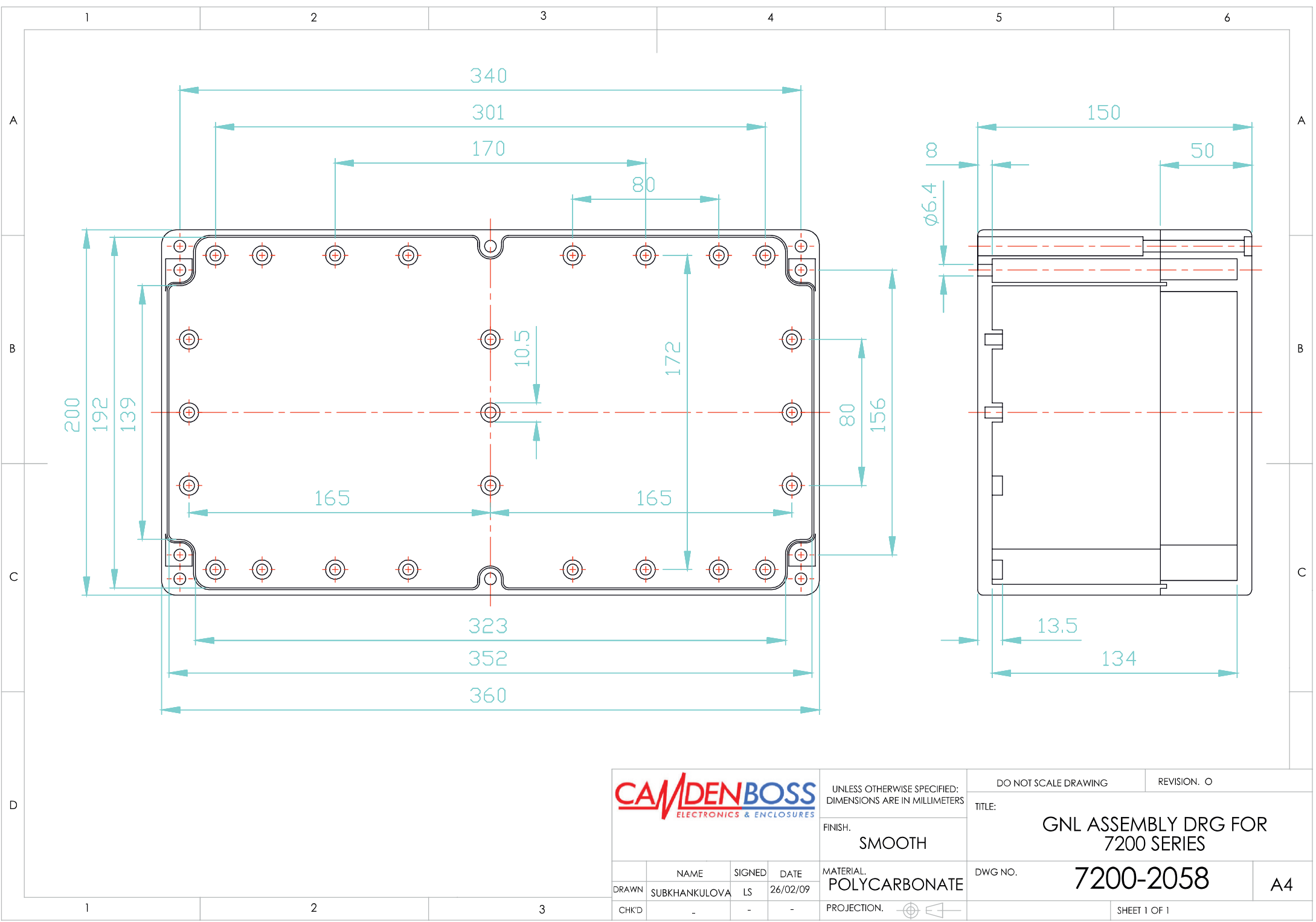
DWG NO. **7200-2038**

A4

CHK'D	NAME	SIGNED	DATE
	-	-	-

PROJECTION.

SHEET 1 OF 1



UNLESS OTHERWISE SPECIFIED:  
DIMENSIONS ARE IN MILLIMETERS

DO NOT SCALE DRAWING

REVISION. 0

FINISH.  
SMOOTH

TITLE:  
GNL ASSEMBLY DRG FOR  
7200 SERIES

DRAWN	NAME	SIGNED	DATE
CHKD			

SUBKHANKULOVA LS 26/02/09

MATERIAL.  
POLYCARBONATE

DWG NO. 7200-2058

A4

PROJECTION.

SHEET 1 OF 1