

HEAVY DUTY ENCLOSURES

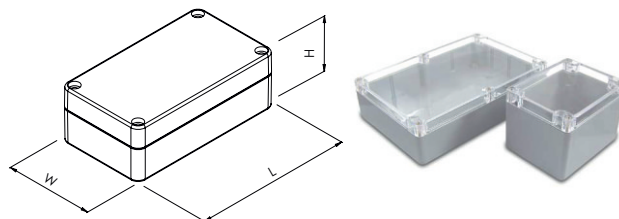
7300 Series ABS Cases

Robust IP65 ABS cases to guard electrical and electronic components in rugged environments.

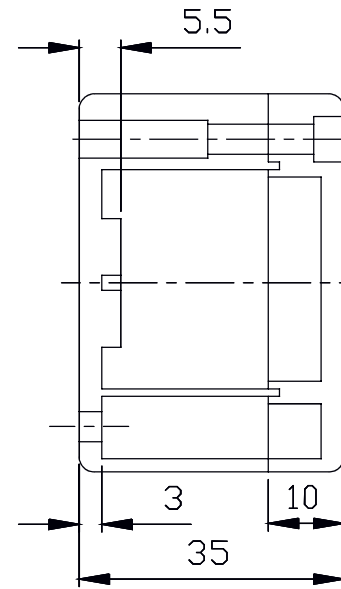
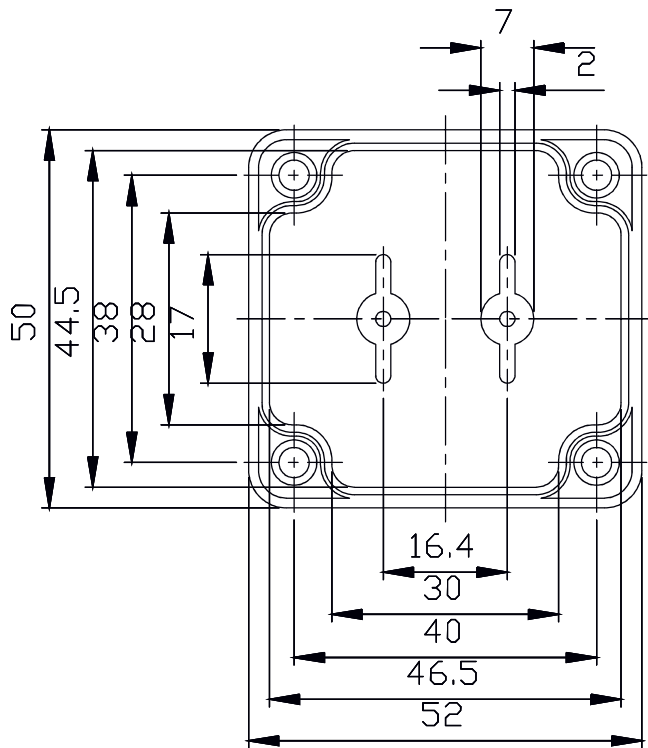
- Moulded in high quality ABS
- PCB pillars in base with threaded inserts and for self-tapping screws
- Lid mounted by four M3 machine screws
- Easy to use wall-mounting holes
- Clear lid option

SPECIFICATION

| | |
|-------------------------------|---|
| Materials | Lid & base high grade ABS |
| Operating Temperature | Heat resistant up to 85°C |
| Protection class | IP65 |
| Standard colours | Dark grey, similar to RAL 7000 |
| Standard unit includes | Box & lid 4x M4 non-magnetic machine screws Neoprene gasket |



| GREY LID | CLEAR LID | LENGTH | WITH | HEIGHT |
|-----------|------------|--------|-------|--------|
| 7300-362 | 7300-362C | 52mm | 50mm | 35mm |
| 7300-302 | 7300-302C | 64mm | 58mm | 35mm |
| 7300-366 | 7300-366C | 82mm | 80mm | 55mm |
| 7300-304 | 7300-304C | 115mm | 65mm | 40mm |
| 7300-308 | 7300-308C | 115mm | 65mm | 55mm |
| 7300-311 | 7300-311C | 115mm | 90mm | 55mm |
| 7300-331 | 7300-331C | 115mm | 90mm | 80mm |
| 7300-386 | 7300-386C | 120mm | 120mm | 60mm |
| 7300-387 | 7300-387C | 120mm | 120mm | 90mm |
| 7300-368 | 7300-368C | 160mm | 80mm | 55mm |
| 7300-369 | 7300-369C | 160mm | 80mm | 85mm |
| 7300-396 | 7300-396C | 160mm | 160mm | 60mm |
| 7300-399 | 7300-399C | 160mm | 160mm | 90mm |
| 7300-313 | 7300-313C | 171mm | 121mm | 55mm |
| 7300-340 | 7300-340C | 171mm | 121mm | 80mm |
| 7300-346 | 7300-346C | 195mm | 80mm | 55mm |
| 7300-373 | 7300-373C | 200mm | 120mm | 75mm |
| 7300-317 | 7300-317C | 222mm | 146mm | 55mm |
| 7300-353 | 7300-353C | 222mm | 146mm | 75mm |
| 7300-3008 | 7300-3008C | 240mm | 160mm | 90mm |
| 7300-3019 | 7300-3019C | 240mm | 160mm | 120mm |
| 7300-378 | 7300-378C | 265mm | 185mm | 95mm |
| 7300-3028 | 7300-3028C | 300mm | 230mm | 86mm |
| 7300-3031 | 7300-3031C | 300mm | 230mm | 111mm |
| 7300-3039 | 7300-3039C | 360mm | 200mm | 150mm |



UNLESS OTHERWISE SPECIFIED:
DIMENSIONS ARE IN MILLIMETERS

DO NOT SCALE DRAWING

REVISION. 0

FINISH.
SMOOTH

TITLE:

GNL ASSEMBLY DRG FOR
7300 SERIES

| | NAME | SIGNED | DATE |
|-------|---------------|--------|----------|
| DRAWN | SUBKHANKULOVA | LS | 26/02/09 |

MATERIAL.
ABS

DWG NO.

7300-362

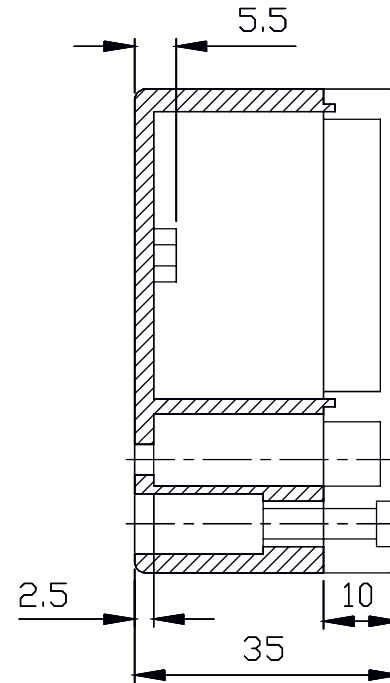
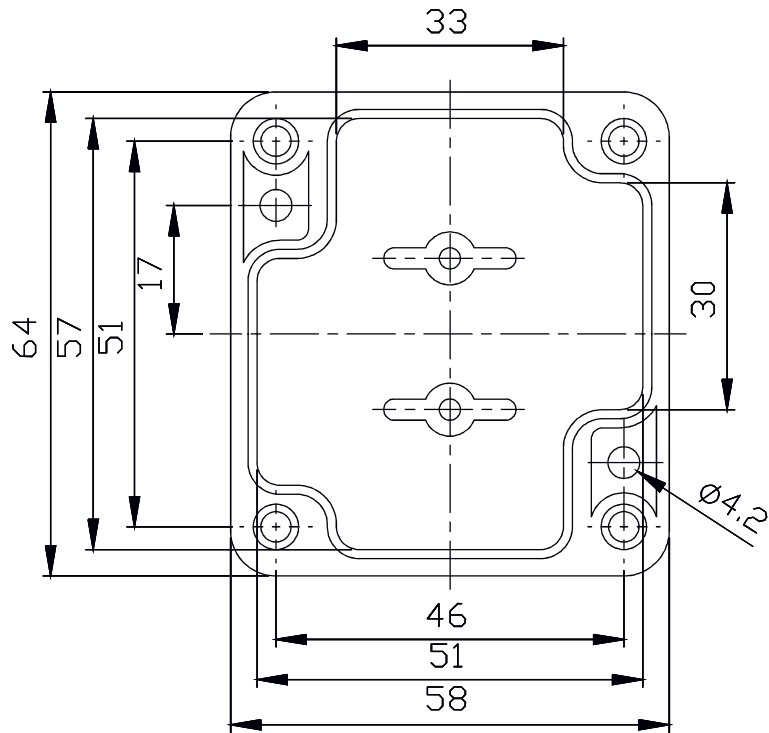
A4

| | | | |
|-------|---|---|---|
| CHK'D | - | - | - |
|-------|---|---|---|

PROJECTION.

SCALE. 1 : 1

SHEET 1 OF 1



UNLESS OTHERWISE SPECIFIED:
DIMENSIONS ARE IN MILLIMETERS

DO NOT SCALE DRAWING

REVISION. 0

FINISH.
SMOOTH

TITLE: GNL ASSEMBLY DRG FOR
7300 SERIES

| | NAME | SIGNED | DATE |
|-------|-----------------|--------|----------|
| DRAWN | L SUBKHANKULOVA | LS | 25/02/09 |

MATERIAL.
ABS

DWG NO. 7300-302

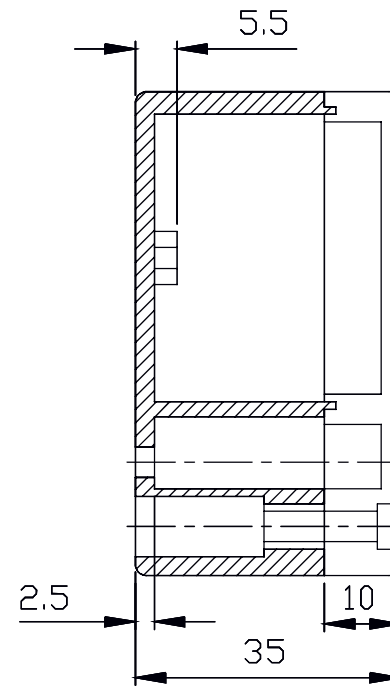
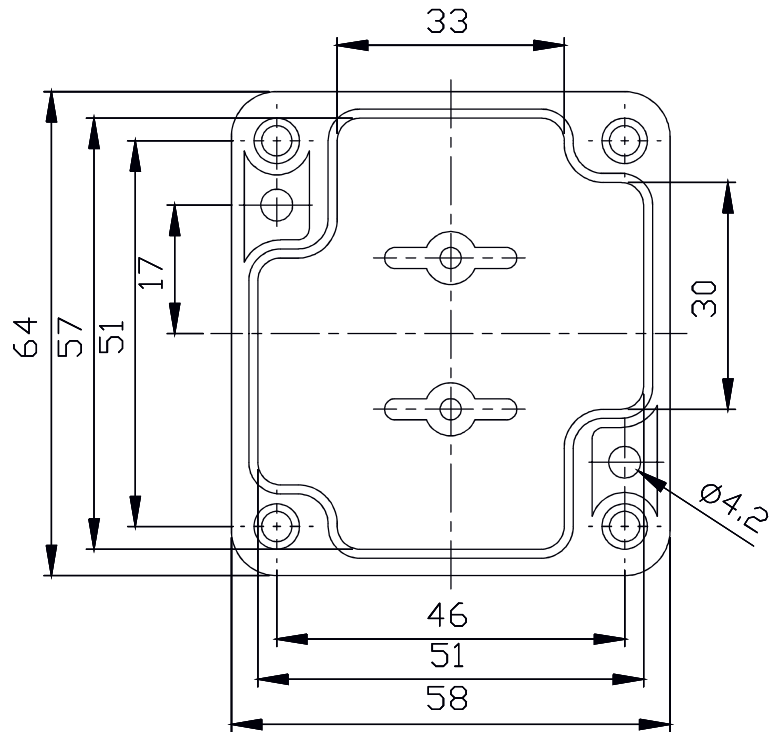
A4

| CHK'D | - | - | - |
|-------|---|---|---|
| | | | |

PROJECTION.

SCALE. 1 : 1

SHEET 1 OF 1



UNLESS OTHERWISE SPECIFIED:
DIMENSIONS ARE IN MILLIMETERS

DO NOT SCALE DRAWING

REVISION. O

FINISH.
SMOOTH

TITLE: GNL ASSEMBLY DRG FOR
7300 SERIES

| DRAWN | NAME | SIGNED | DATE |
|-------|-----------------|--------|----------|
| LS | L.SUBKHANKULOVA | LS | 25/02/09 |

MATERIAL.
ABS

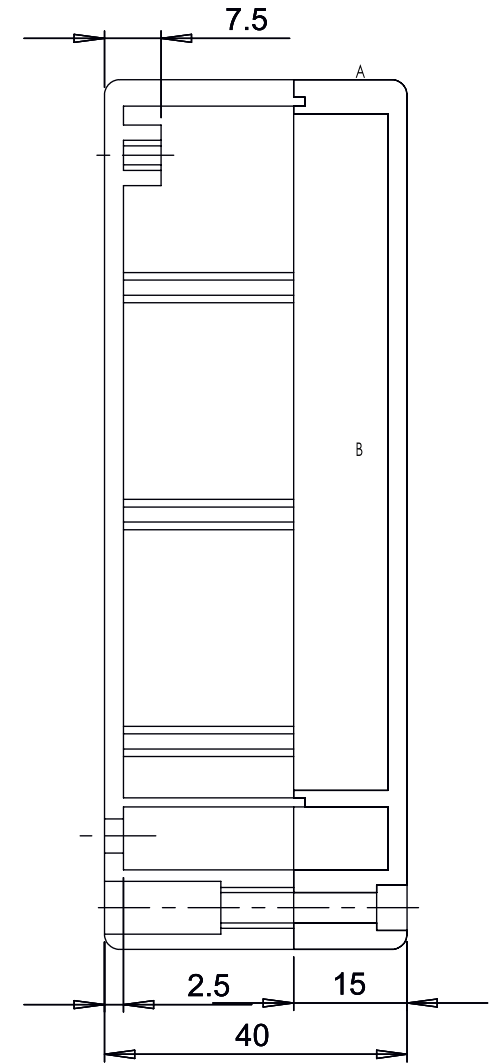
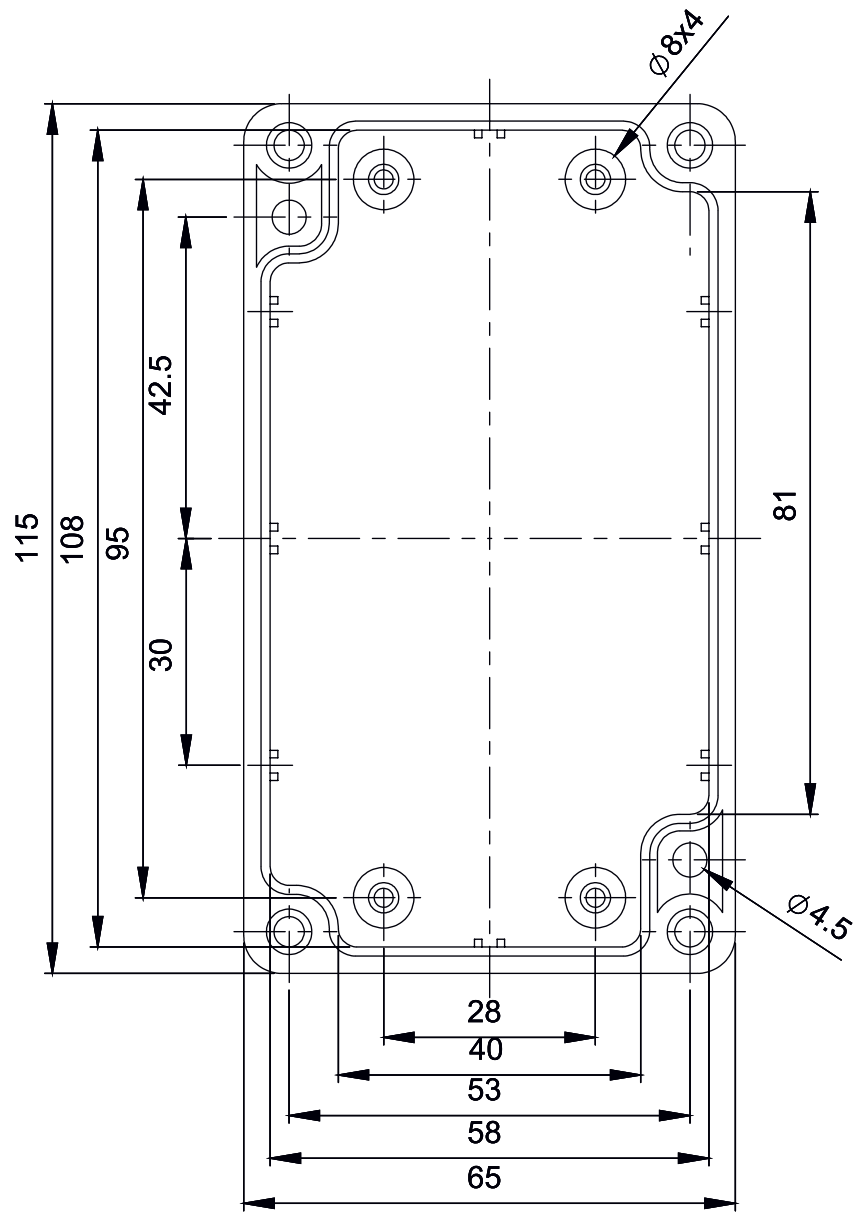
DWG NO. 7300-302

A4

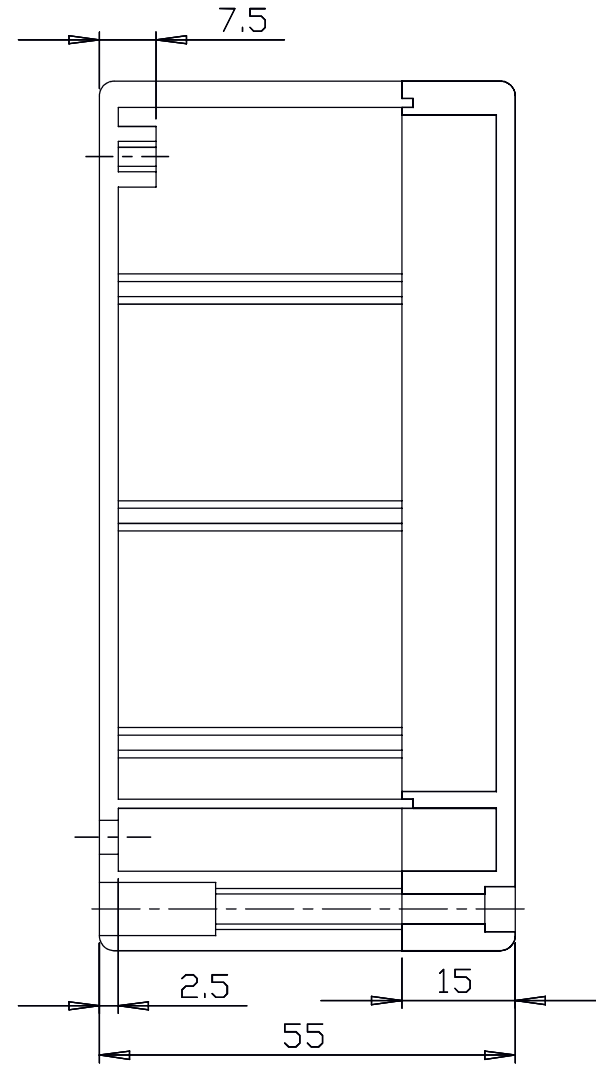
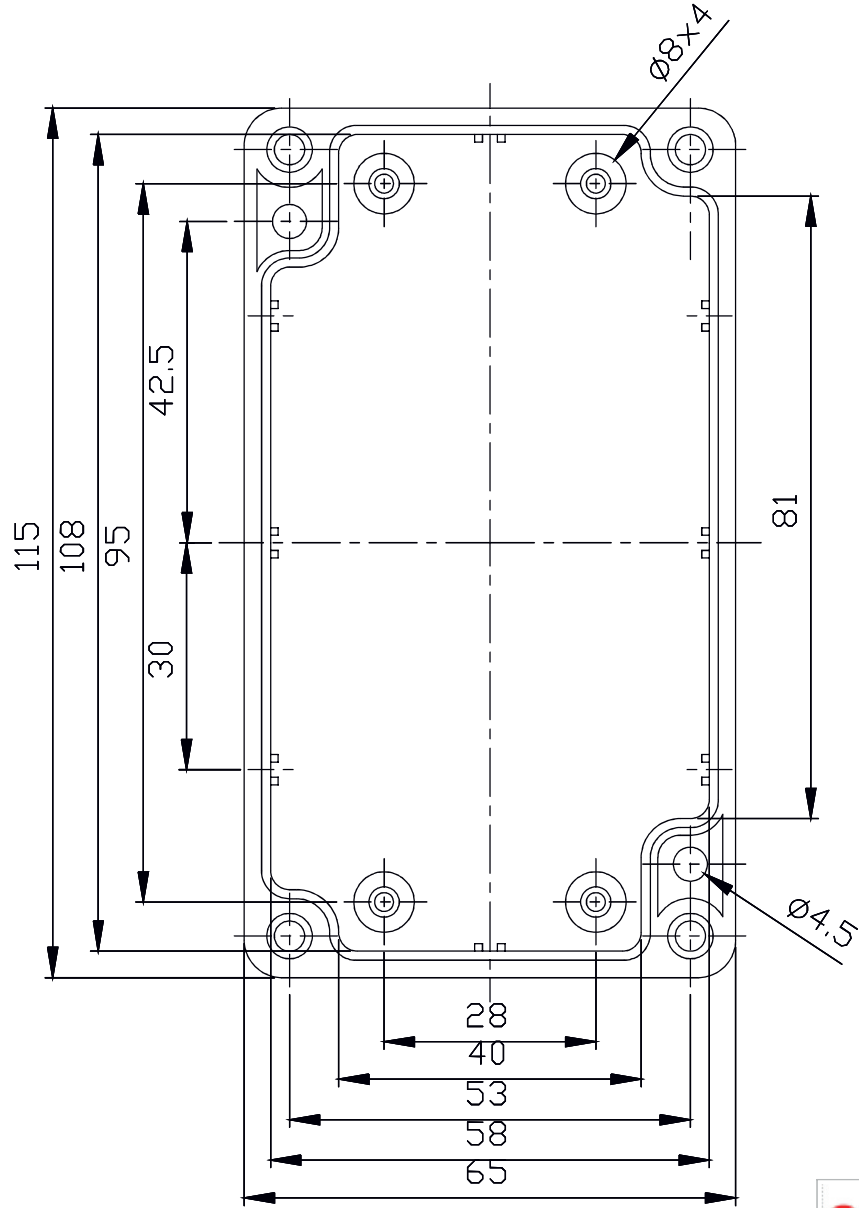
CHK'D - - - PROJECTION.

SCALE. 1 : 1

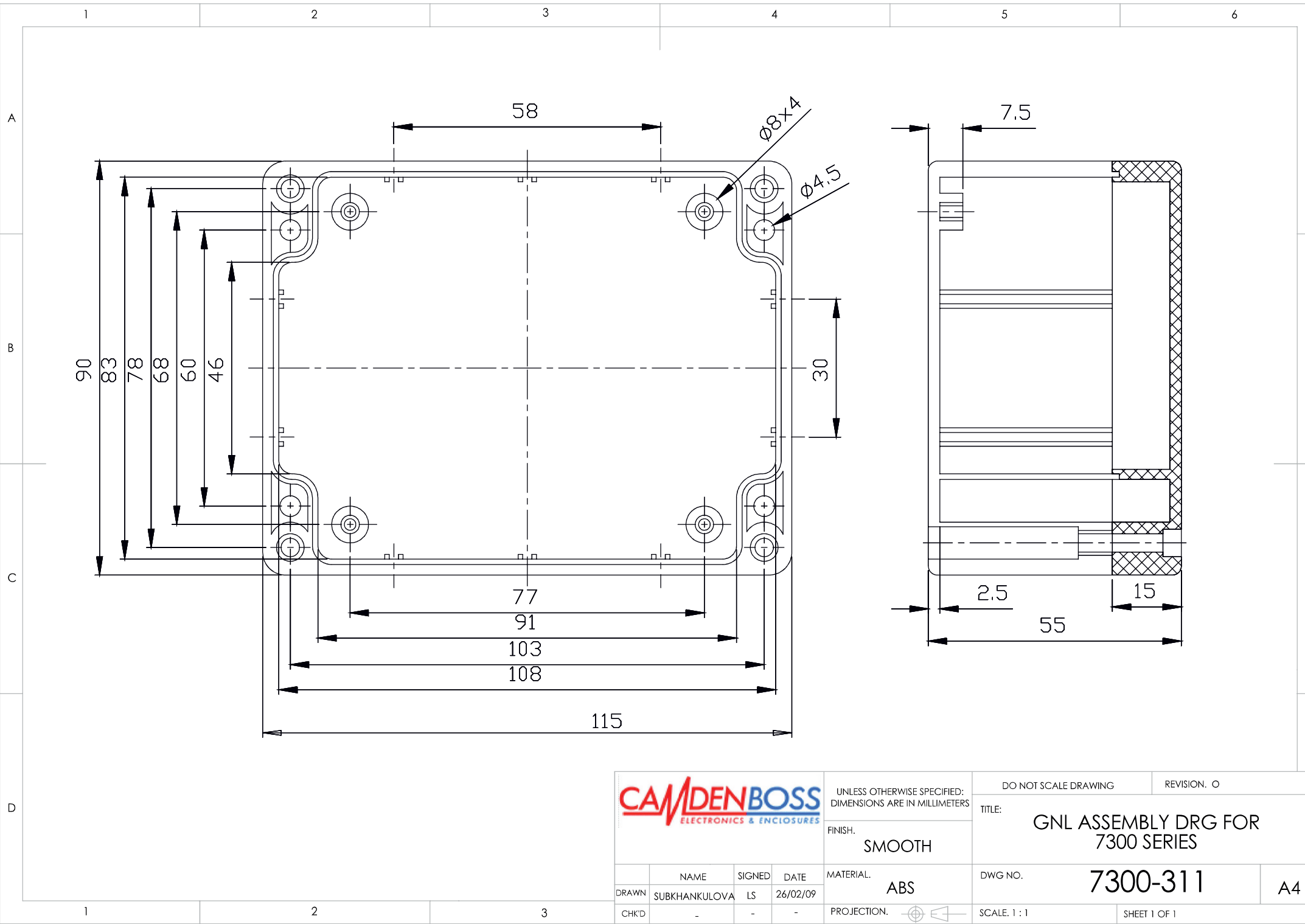
SHEET 1 OF 1



| | | | | | | | |
|-----------------|--|------|--|--|--|----------------------------------|--|
| | | | | UNLESS OTHERWISE SPECIFIED: DO NOT SCALE DRAWING | | REVISION. 0 | |
| | | | | FINISH. SMOOTH | | GNL ASSEMBLY DRG FOR 7300 SERIES | |
| DRAWN | | NAME | | SIGNED | | DATE | |
| L SUBKHANKULOVA | | LS | | 26/02/09 | | MATERIAL. ABS | |
| CHK'D | | | | | | DWG NO. 7300-304 | |
| | | | | PROJECTION. | | SCALE. 1:1 | |
| | | | | | | SHEET 1 OF 1 | |
| | | | | | | A4 | |



| | | | | | | | | | |
|------------------------------|--|--------------|------------------|--|--|---|--|--------------|--|
| | | | | UNLESS OTHERWISE SPECIFIED: DIMENSIONS ARE IN MILLIMETERS | | DO NOT SCALE DRAWING | | REVISION: 0 | |
| | | | | FINISH: SMOOTH | | TITLE: GNL ASSEMBLY DRG FOR 7300 SERIES | | | |
| NAME DRAWN/LSUBKHANKULOVA | | SIGNED LS | DATE 26/02/09 | MATERIAL: ABS | | DWG NO. 7300-308 | | A4 | |
| CHK'D - | | - | - | PROJECTION: | | SCALE: 1 : 1 | | SHEET 1 OF 1 | |



UNLESS OTHERWISE SPECIFIED:
DIMENSIONS ARE IN MILLIMETERS

DO NOT SCALE DRAWING REVISION. 0

TITLE: **GNL ASSEMBLY DRG FOR 7300 SERIES**

| | NAME | SIGNED | DATE |
|-------|---------------|--------|----------|
| DRAWN | SUBKHANKULOVA | LS | 26/02/09 |
| CHK'D | - | - | - |

FINISH.
SMOOTH

MATERIAL.
ABS

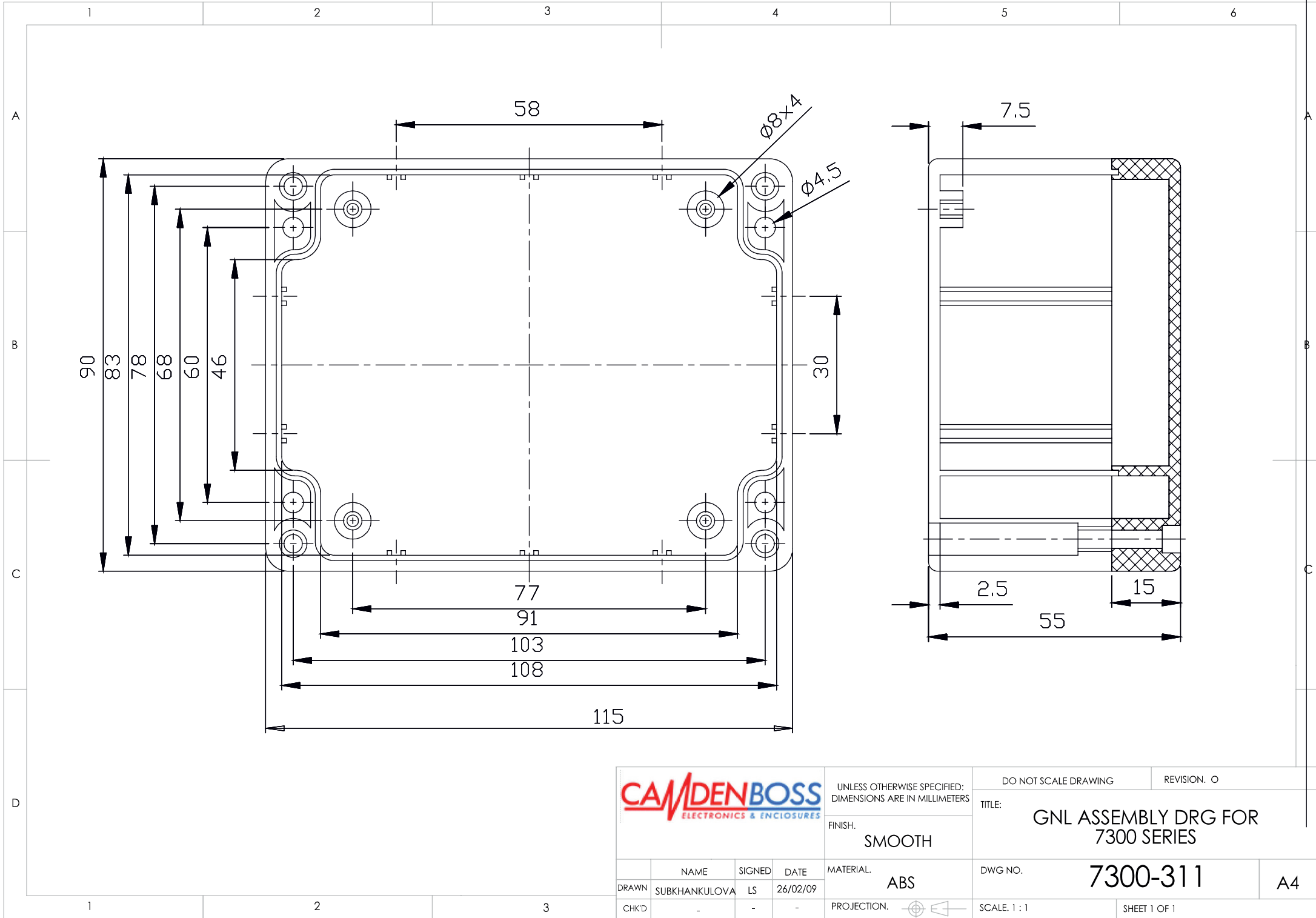
PROJECTION.

DWG NO. **7300-311**

SCALE: 1 : 1

SHEET 1 OF 1

A4



UNLESS OTHERWISE SPECIFIED:
DIMENSIONS ARE IN MILLIMETERS

DO NOT SCALE DRAWING

REVISION: 0

FINISH:
SMOOTH

TITLE:
GNL ASSEMBLY DRG FOR
7300 SERIES

| DRAWN | NAME | SIGNED | DATE |
|-------|---------------|--------|----------|
| | SUBKHANKULOVA | LS | 26/02/09 |

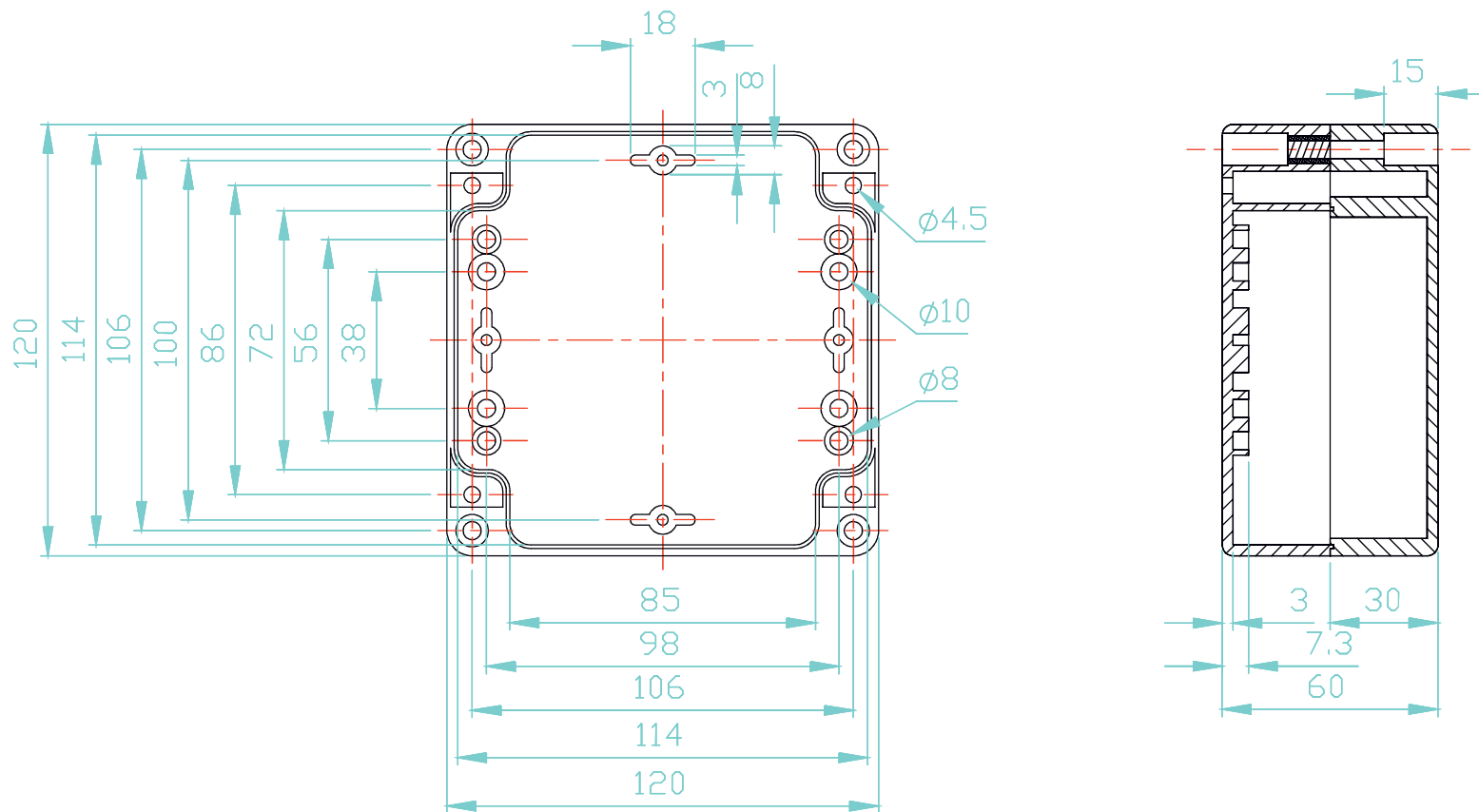
MATERIAL:
ABS

| DWG NO. | SHEET |
|----------|-------|
| 7300-311 | A4 |

CHK'D - - -

PROJECTION:

SCALE: 1 : 1 SHEET 1 OF 1



CAMDENBOSS
ELECTRONICS & ENCLOSURES

UNLESS OTHERWISE SPECIFIED:
DIMENSIONS ARE IN MILLIMETERS

DO NOT SCALE DRAWING

REVISION: 0

FINISH.

SMOOTH

TITLE:

GNL ASSEMBLY DRG FOR
7300 SERIES

| | NAME | SIGNED | DATE |
|-------|---------------|--------|----------|
| DRAWN | SUBKHANKULOVA | LS | 26/02/09 |
| CHK'D | - | - | - |

MATERIAL.

ABS

DWG NO.

7300-386

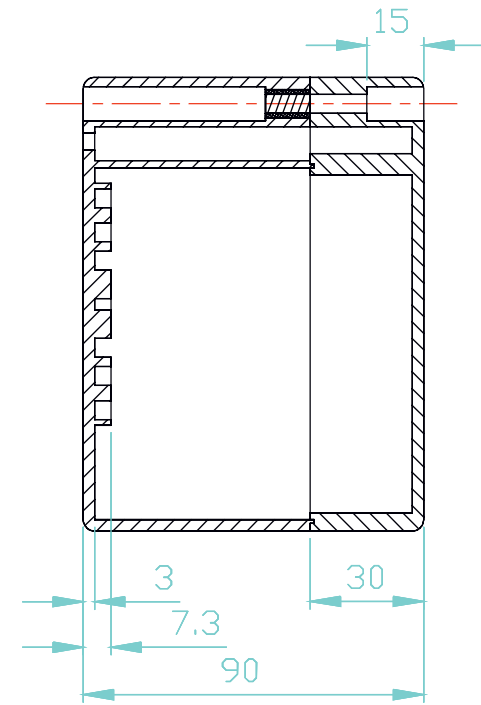
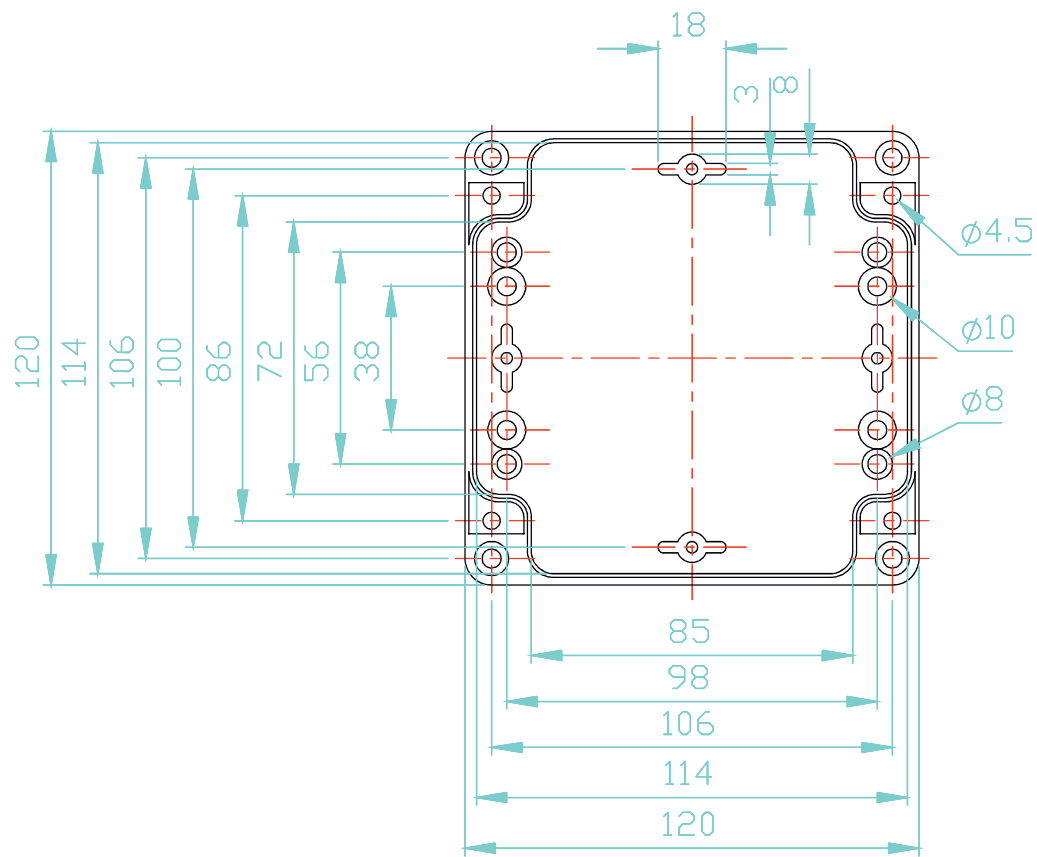
A4

PROJECTION.



SCALE: 1 : 2

SHEET 1 OF 1



CAMDENBOSS
ELECTRONICS & ENCLOSURES

UNLESS OTHERWISE SPECIFIED:
DIMENSIONS ARE IN MILLIMETERS

DO NOT SCALE DRAWING

REVISION: 0

FINISH:
SMOOTH

TITLE:
GNL ASSEMBLY DRG FOR
7300 SERIES

| DRAWN | NAME | SIGNED | DATE |
|---------------|------|--------|----------|
| SUBKHANKULOVA | LS | | 26/02/09 |

MATERIAL:
ABS

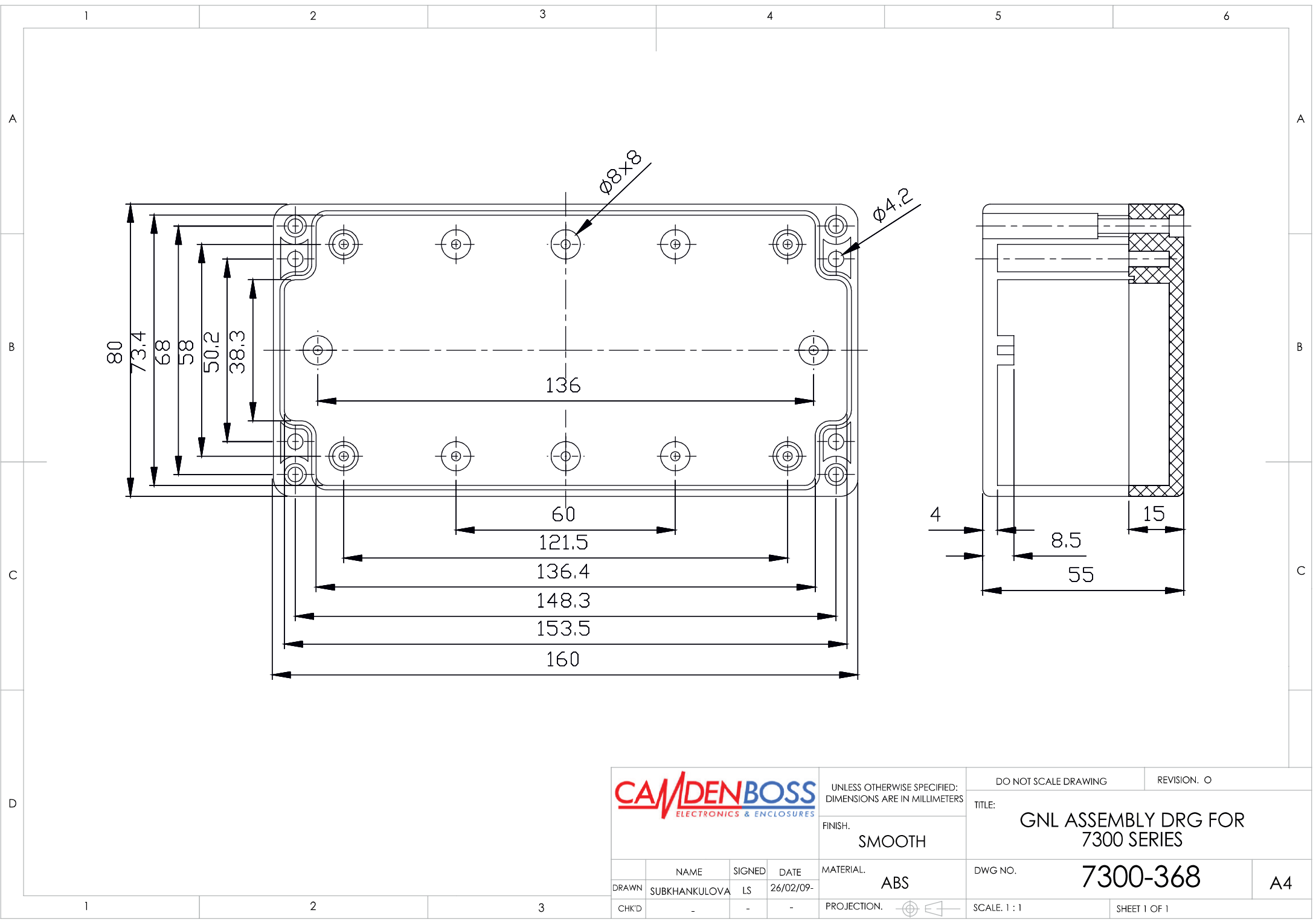
DWG NO. 7300-387

A4

CHK'D - - - PROJECTION:

SCALE: 1 : 2

SHEET 1 OF 1



UNLESS OTHERWISE SPECIFIED:
DIMENSIONS ARE IN MILLIMETERS

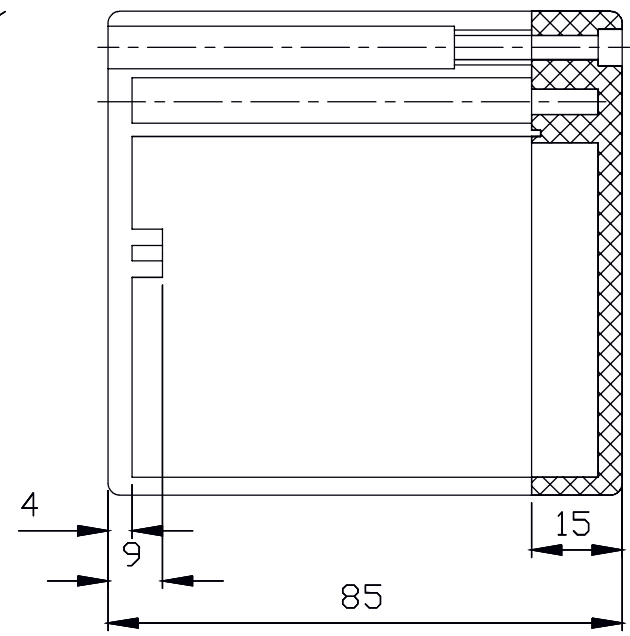
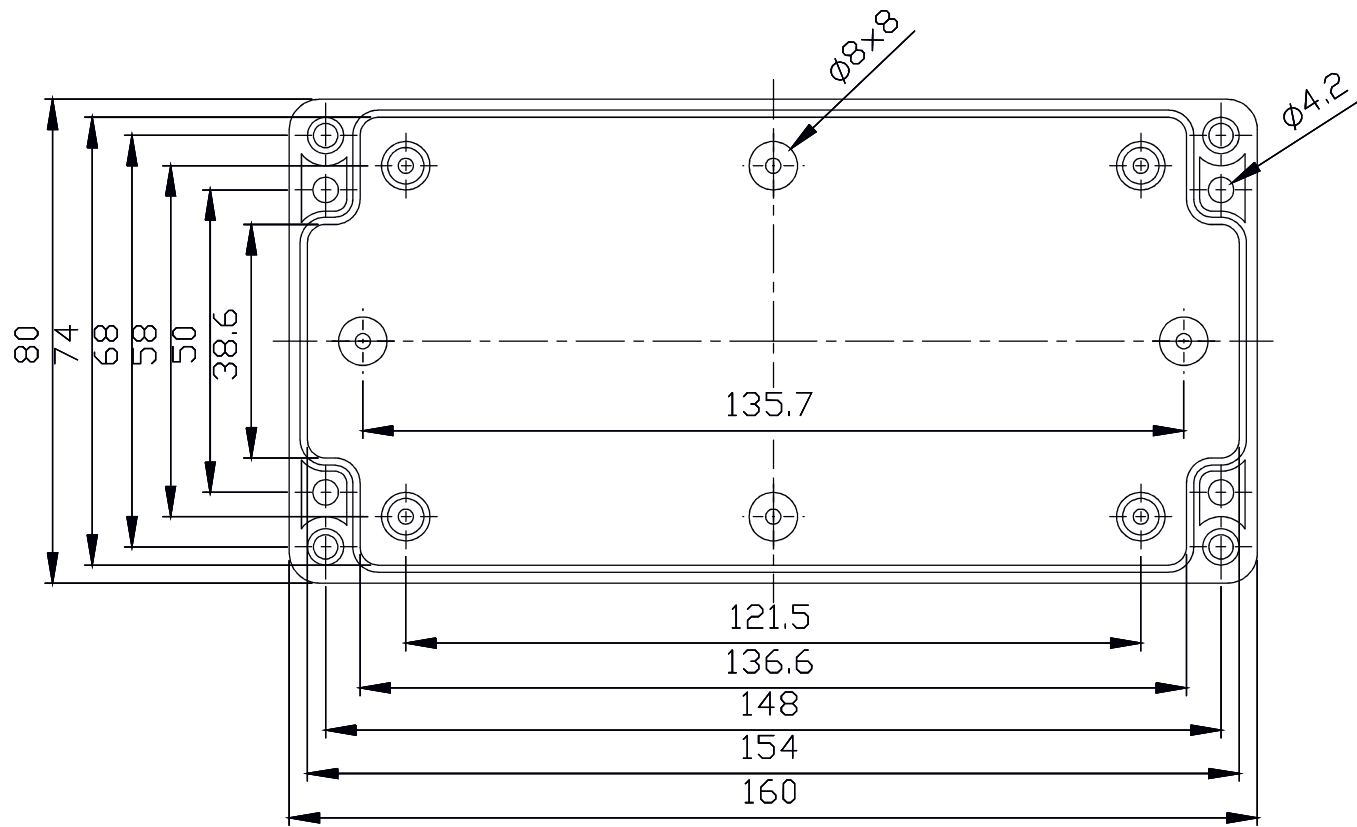
FINISH.
SMOOTH

MATERIAL.
ABS

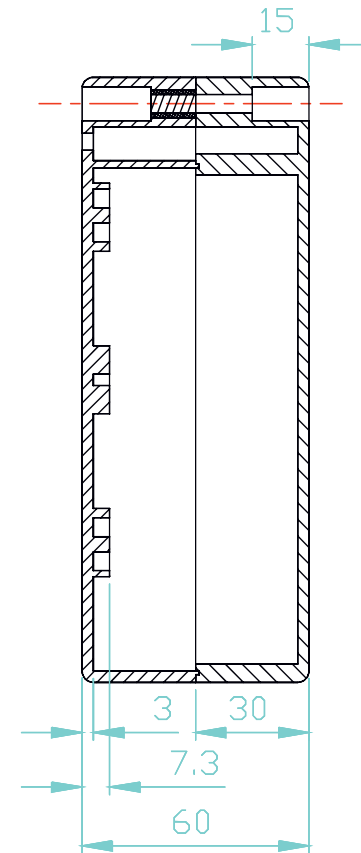
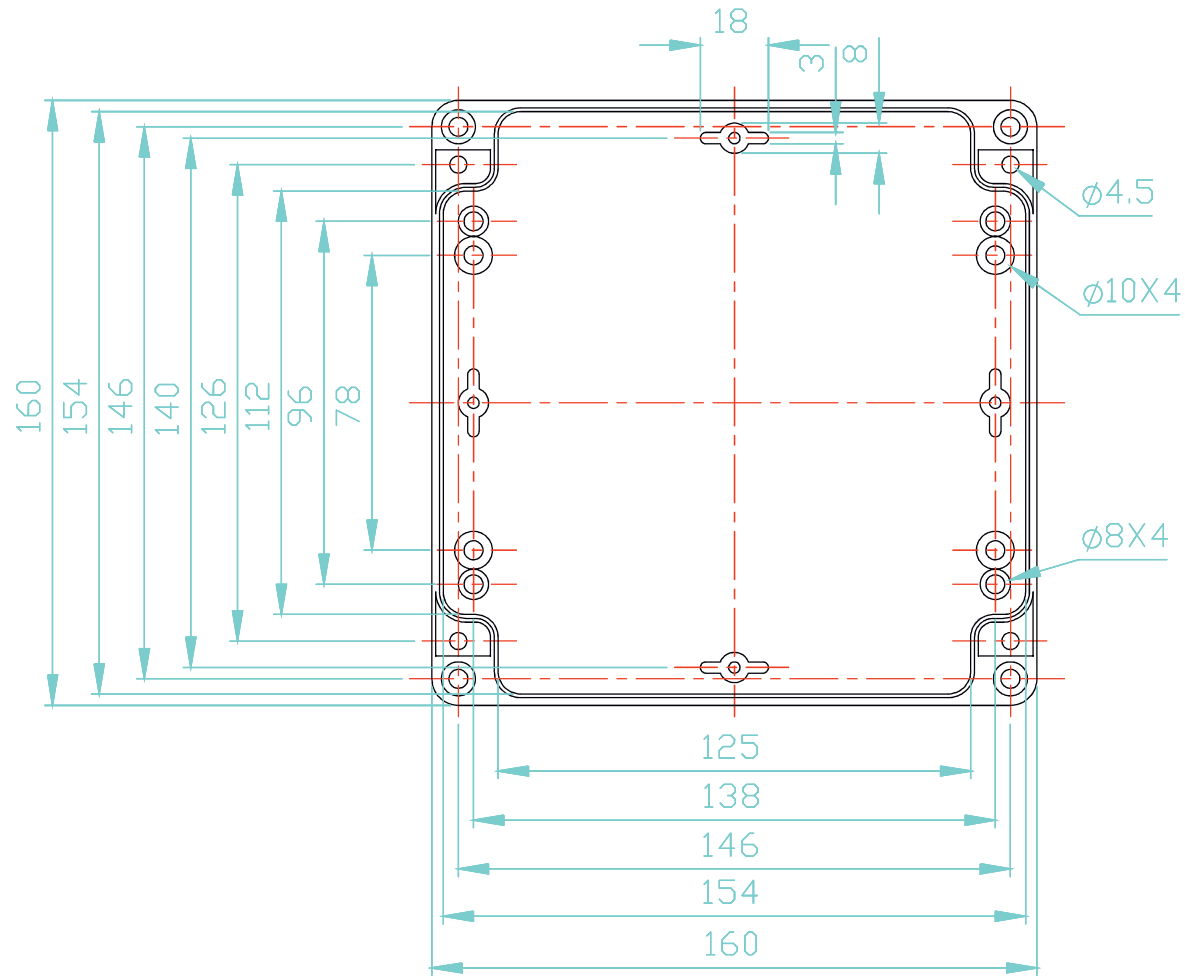
PROJECTION.

| | | | |
|---|-----------------|-------------|-----------|
| DO NOT SCALE DRAWING | | REVISION. 0 | |
| TITLE: GNL ASSEMBLY DRG FOR 7300 SERIES | | | |
| DWG NO. | 7300-368 | | A4 |
| SCALE. 1 : 1 | SHEET 1 OF 1 | | |

| | NAME | SIGNED | DATE |
|-------|---------------|--------|-----------|
| DRAWN | SUBKHANKULOVA | LS | 26/02/09- |
| CHK'D | - | - | - |



| | | | | | | | | | | | | | |
|------------------------|--|------------|--|--|--|---|--|------------------|--|---------------------|--|----|--|
| | | | | UNLESS OTHERWISE SPECIFIED: DIMENSIONS ARE IN MILLIMETERS | | DO NOT SCALE DRAWING | | REVISION: 0 | | | | | |
| | | | | FINISH: SMOOTH | | TITLE: GNL ASSEMBLY DRG FOR 7300 SERIES | | | | | | | |
| DRAWN SUBKHANKULOVA | | NAME LS | | SIGNED - | | DATE 26/02/09 | | MATERIAL: ABS | | DWG NO. 7300-369 | | A4 | |
| CHK'D - | | - | | - | | - | | PROJECTION: | | SHEET 1 OF 1 | | | |



CAMDENBOSS
ELECTRONICS & ENCLOSURES

UNLESS OTHERWISE SPECIFIED:
DIMENSIONS ARE IN MILLIMETERS

DO NOT SCALE DRAWING

REVISION. 0

FINISH.

SMOOTH

TITLE:

GNL ASSEMBLY DRG FOR
7300 SERIES

| DRAWN | NAME | SIGNED | DATE |
|---------------|------|--------|----------|
| SUBKHANKULOVA | LS | | 26/02/09 |

MATERIAL.

ABS

DWG NO.

7300-396

A4

CHK'D

-

-

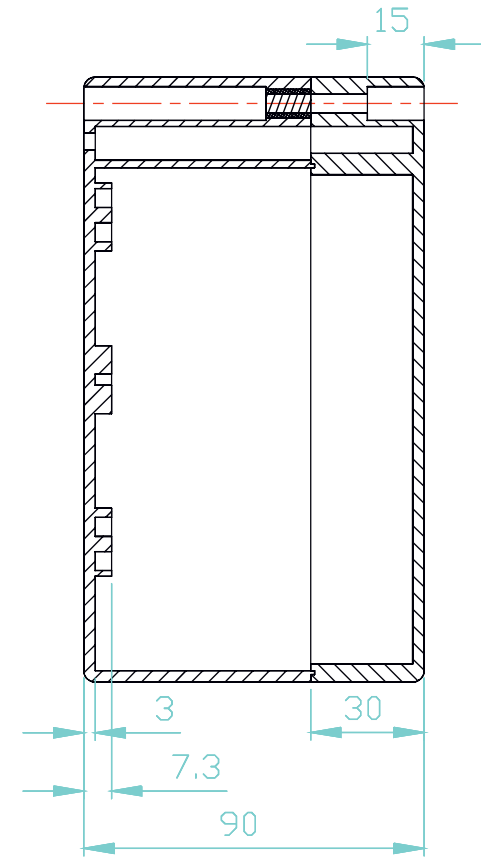
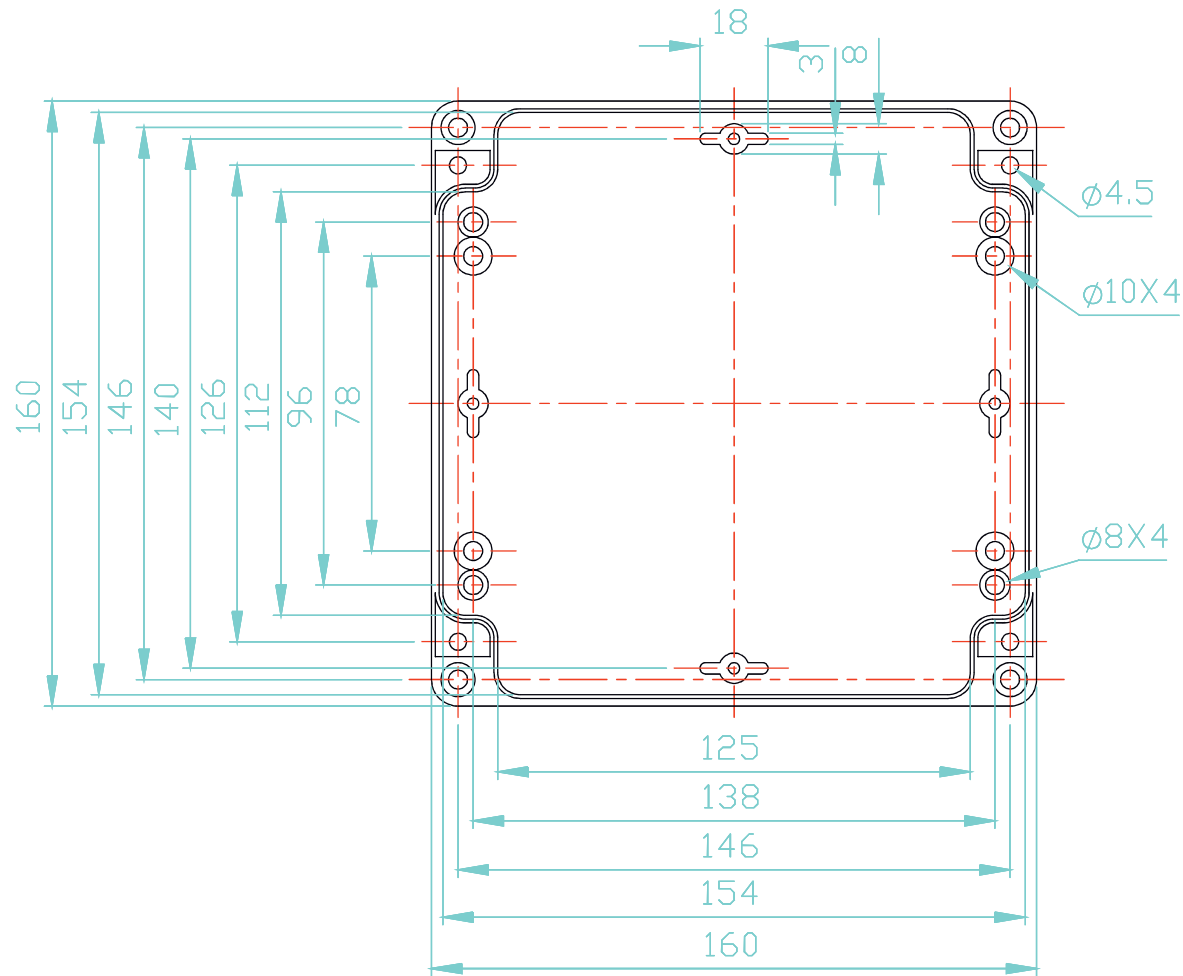
-

PROJECTION.



SCALE: 1 : 2

SHEET 1 OF 1



CAMDENBOSS
ELECTRONICS & ENCLOSURES

UNLESS OTHERWISE SPECIFIED:
DIMENSIONS ARE IN MILLIMETERS

FINISH.

SMOOTH

MATERIAL.

ABS

PROJECTION.



DO NOT SCALE DRAWING

REVISION. O

TITLE:

GNL ASSEMBLY DRG FOR
7300 SERIES

DWG NO.

7300-399

A4

DRAWN

SUBKHANKULOVA

LS

26/02/09

CHK'D

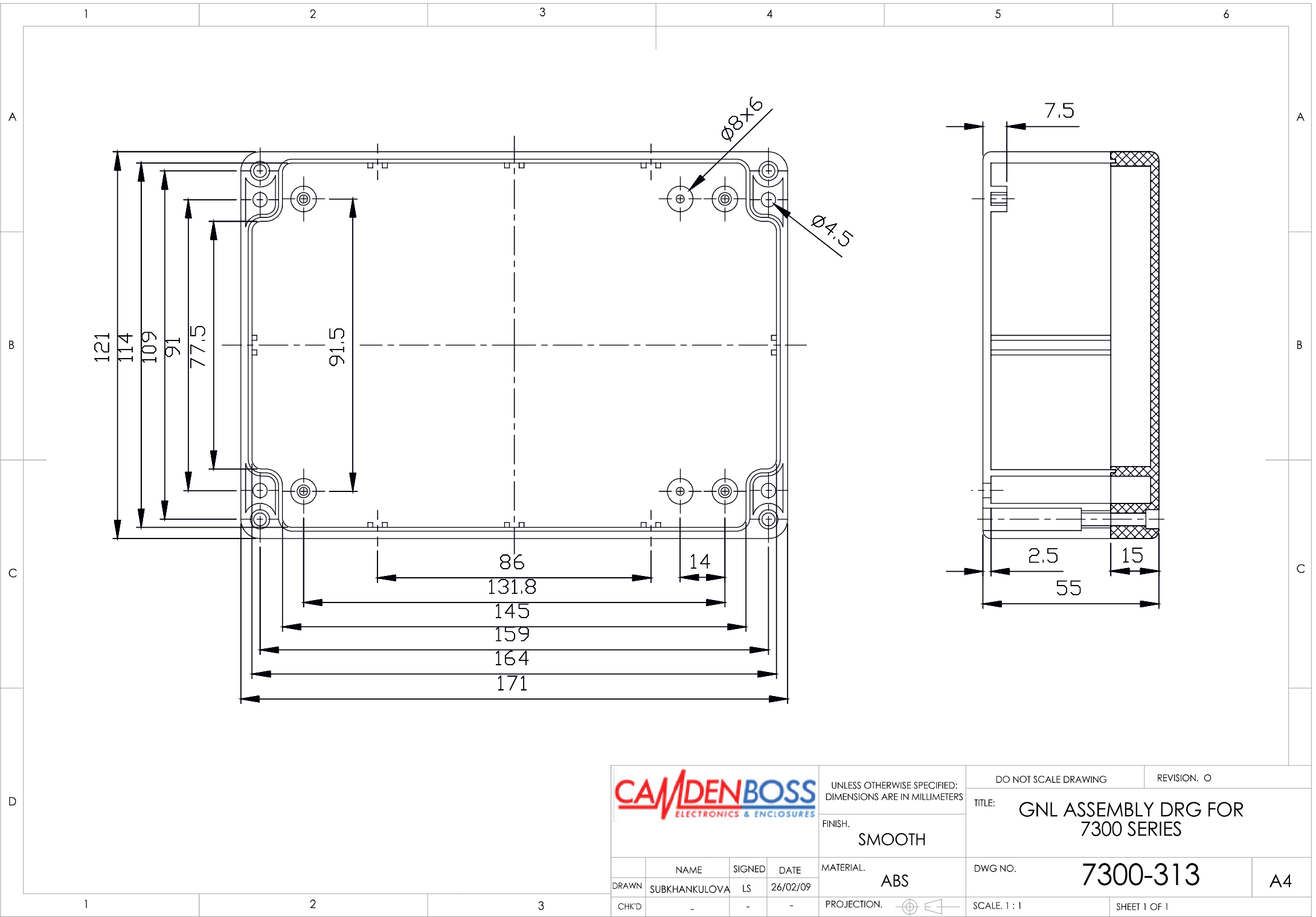
-

-

-

SCALE: 1 : 2

SHEET 1 OF 1



UNLESS OTHERWISE SPECIFIED:
DIMENSIONS ARE IN MILLIMETERS

FINISH.
SMOOTH

DO NOT SCALE DRAWING

REVISION. 0

TITLE: GNL ASSEMBLY DRG FOR
7300 SERIES

| | | | |
|-------|---------------|--------|----------|
| DRAWN | NAME | SIGNED | DATE |
| CHK'D | | | |
| | SUBKHANKULOVA | LS | 26/02/09 |
| | - | - | - |

MATERIAL.
ABS

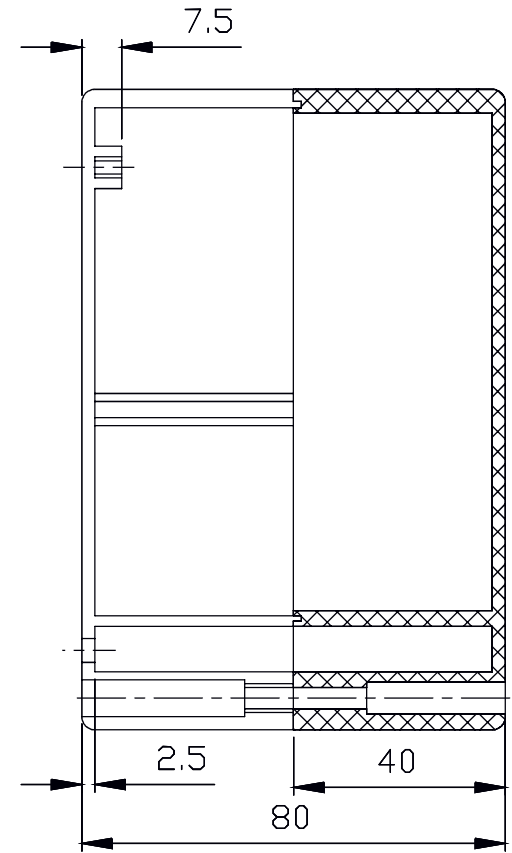
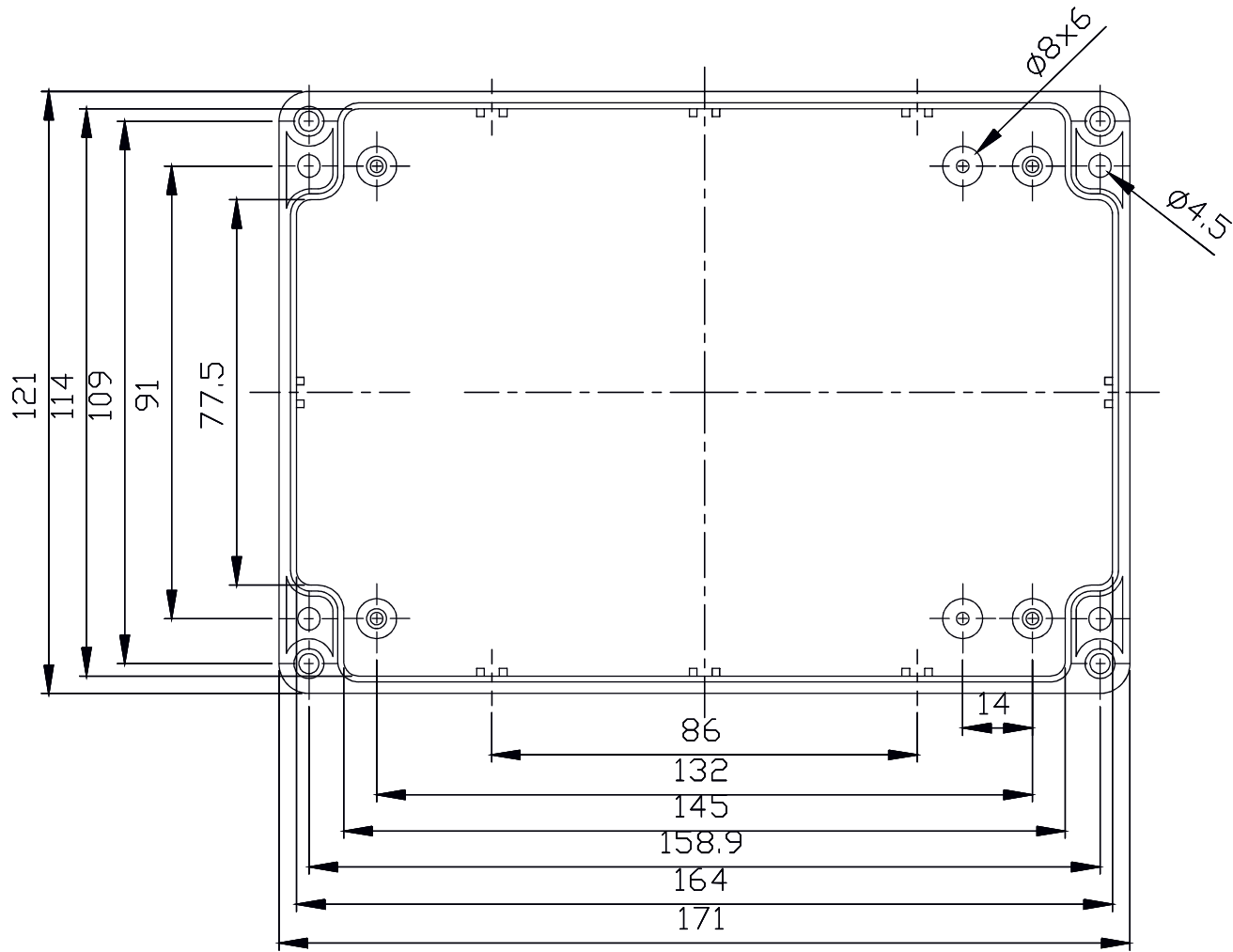
PROJECTION.

DWG NO. 7300-313

SCALE: 1 : 1

A4

SHEET 1 OF 1



UNLESS OTHERWISE SPECIFIED:
DIMENSIONS ARE IN MILLIMETERS

DO NOT SCALE DRAWING

REVISION. 0

FINISH.

SMOOTH

TITLE:

GNL ASSEMBLY DRG FOR
7300 SERIES

| | NAME | SIGNED | DATE |
|-------|---------------|--------|----------|
| DRAWN | SUBKHANKULOVA | LS | 26/02/09 |
| CHK'D | - | - | - |

MATERIAL.

ABS

DWG NO.

7300-340

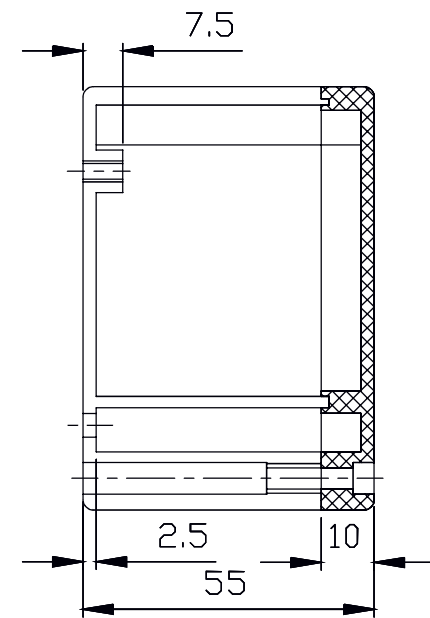
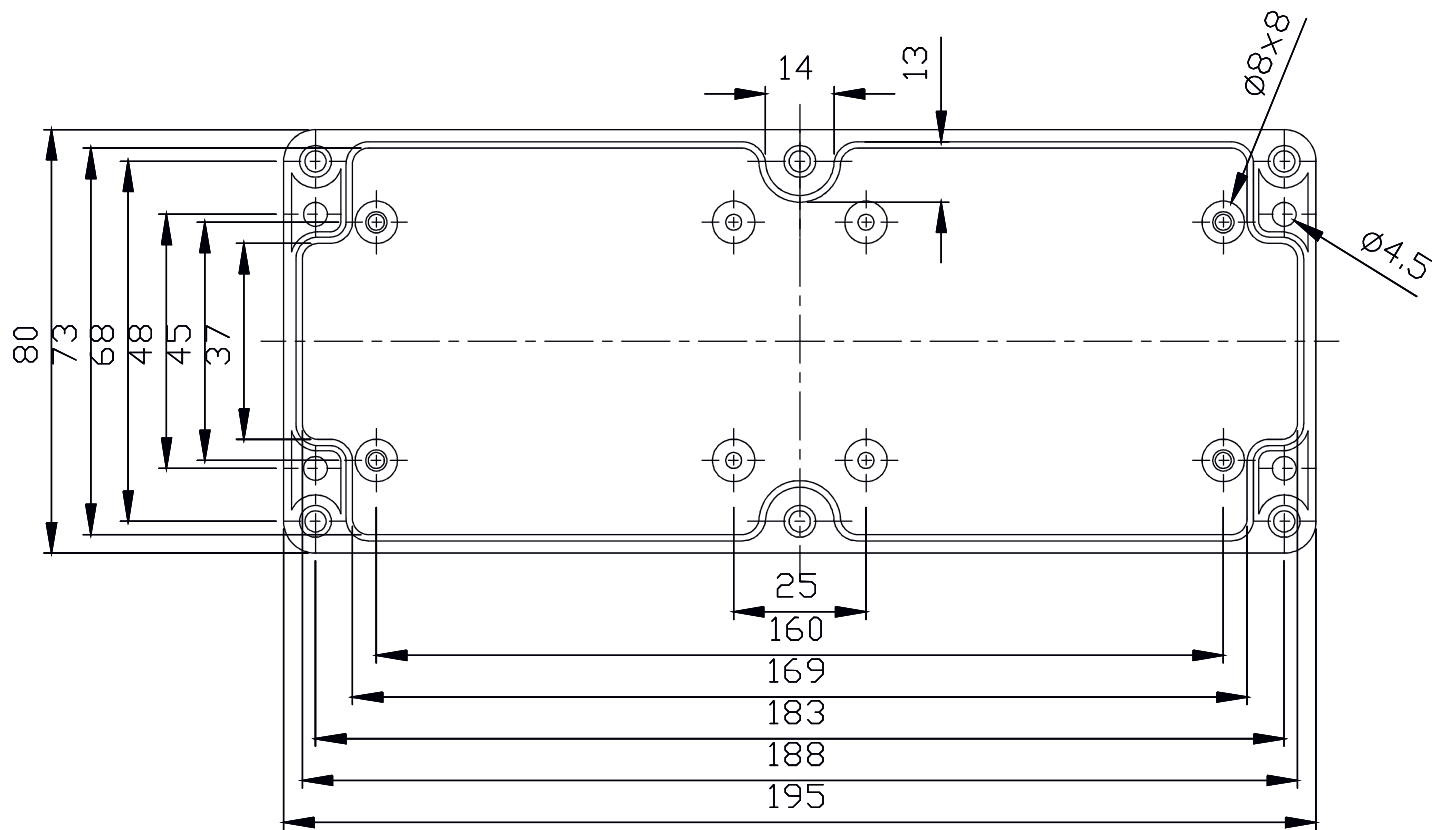
A4

PROJECTION.

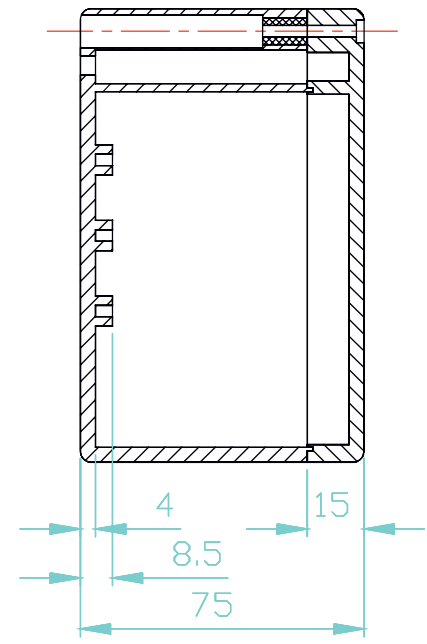
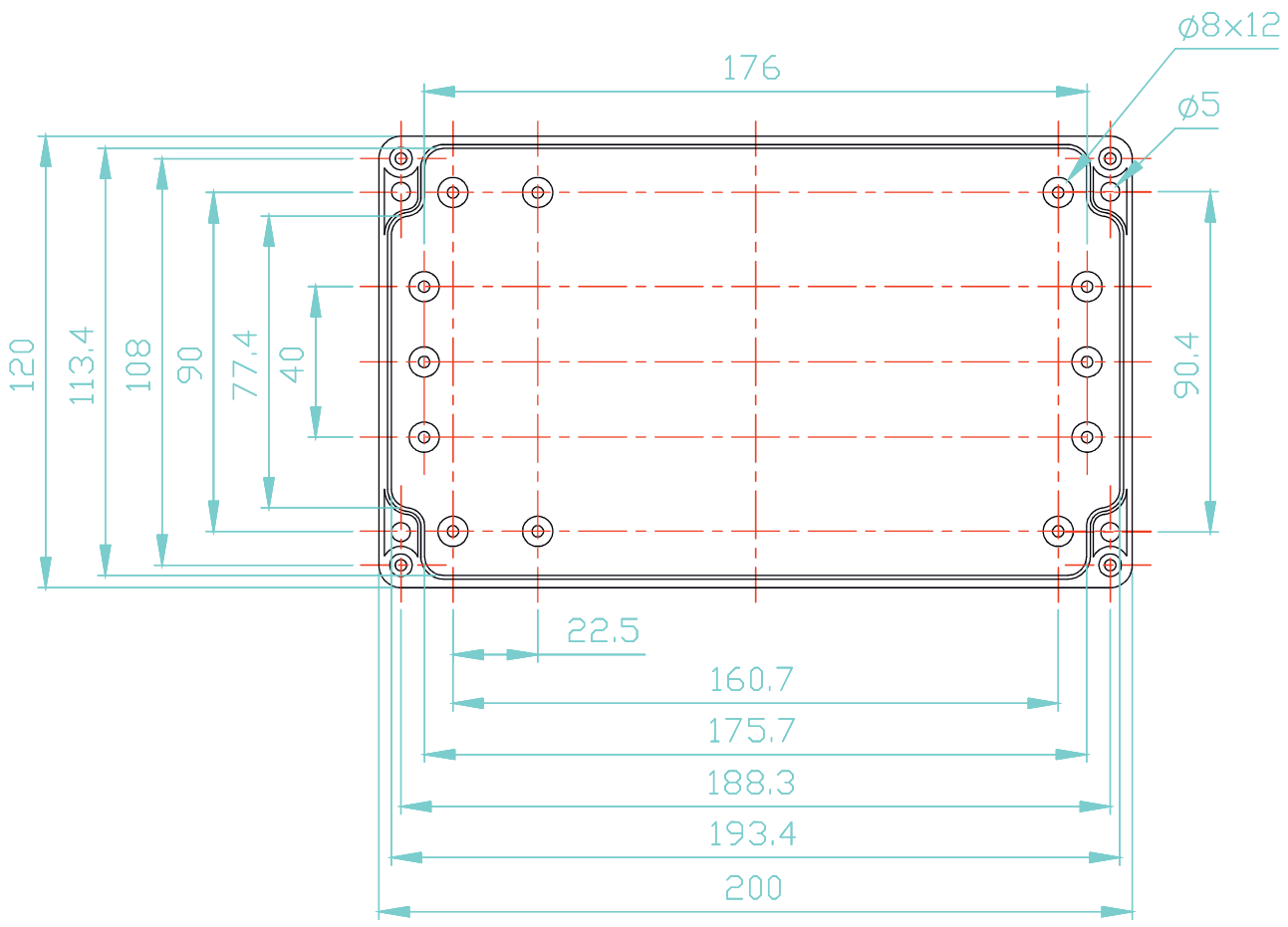


SCALE: 1 : 1

SHEET 1 OF 1



| | | | | | | | | | | | | | |
|------------------------|--|------------|--|--|--|--|--|------------------|--|---------------------|--|--------------|--|
| | | | | UNLESS OTHERWISE SPECIFIED: DIMENSIONS ARE IN MILLIMETERS | | DO NOT SCALE DRAWING | | REVISION. 0 | | | | | |
| | | | | FINISH. SMOOTH | | TITLE: GNL ASSEMBLY DRG FOR 7300 SERIES | | | | | | | |
| DRAWN SUBKHANKULOVA | | NAME LS | | SIGNED - | | DATE 26/02/09 | | MATERIAL. ABS | | DWG NO. 7300-346 | | A4 | |
| CHK'D - | | - | | - | | - | | PROJECTION. | | SCALE. 1 : 1 | | SHEET 1 OF 1 | |



UNLESS OTHERWISE SPECIFIED:
DIMENSIONS ARE IN MILLIMETERS

FINISH.
SMOOTH

DO NOT SCALE DRAWING

REVISION. 0

TITLE:
**GNL ASSEMBLY DRG FOR
7200 SERIES**

| DRAWN | NAME | SIGNED | DATE |
|-------|------|--------|------|
| CHK'D | - | - | - |

MATERIAL.
ABS

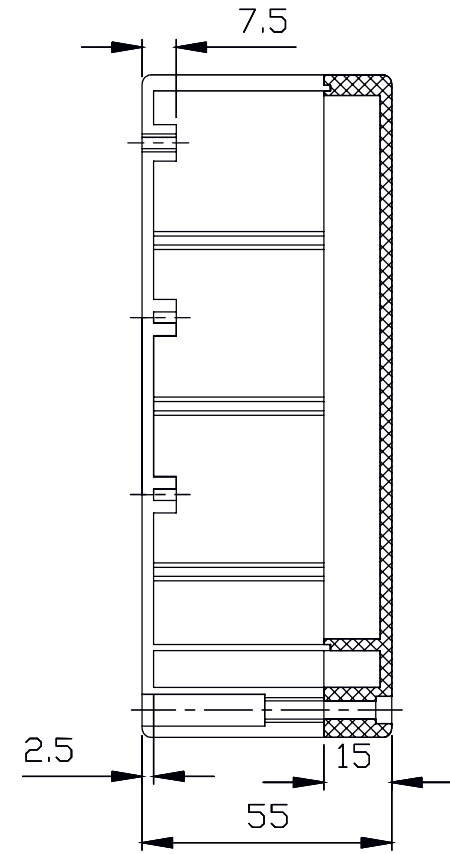
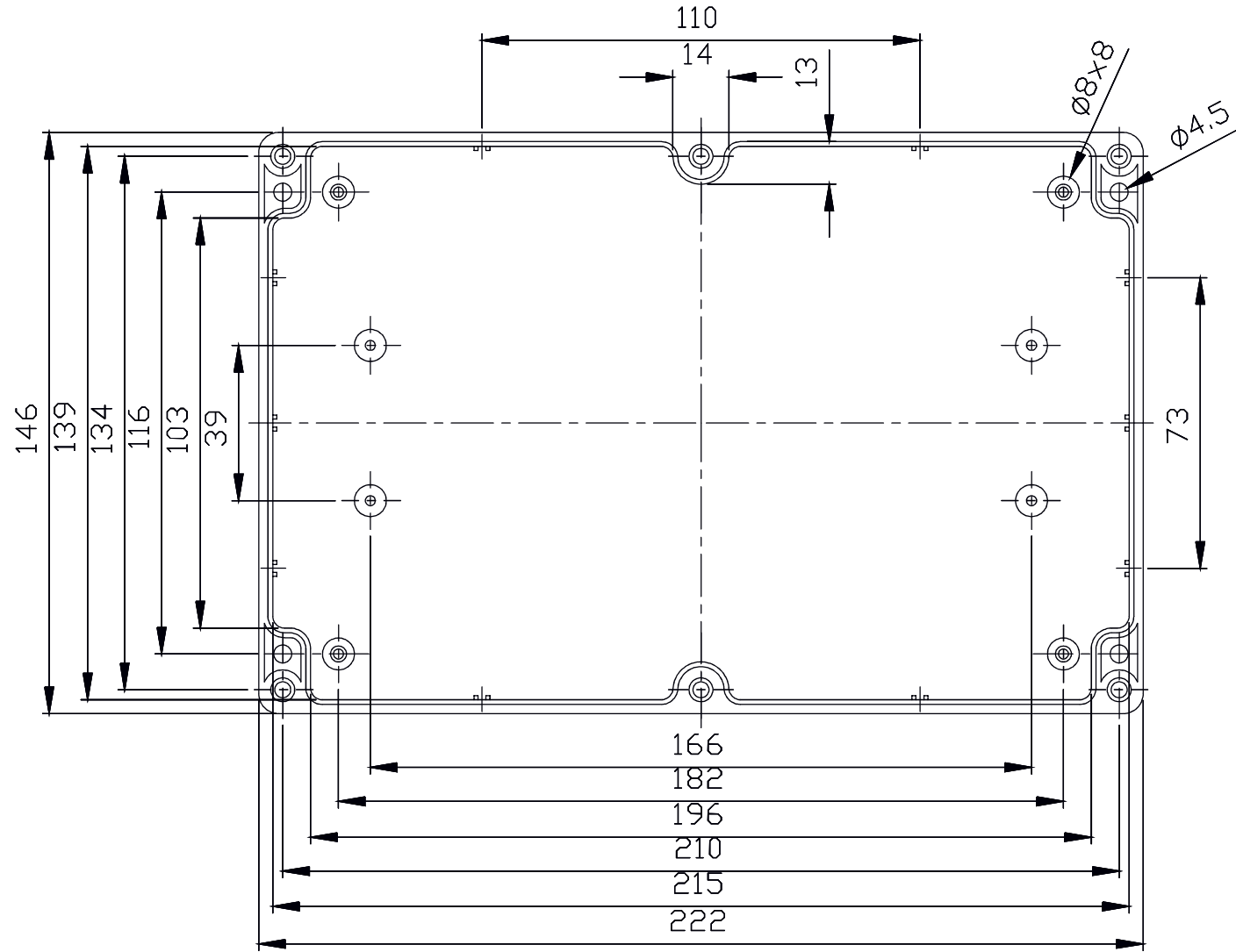
PROJECTION.

DWG NO. **7300-373**

SCALE. 1 : 2

SHEET 1 OF 1

A4



UNLESS OTHERWISE SPECIFIED:
DIMENSIONS ARE IN MILLIMETERS

DO NOT SCALE DRAWING

REVISION. 0

FINISH.

SMOOTH

TITLE:

GNL ASSEMBLY DRG FOR
7300 SERIES

| DRAWN | NAME | SIGNED | DATE |
|---------------|------|--------|----------|
| SUBKHANKULOVA | LS | | 26/02/09 |

MATERIAL.
ABS

DWG NO.

7300-317

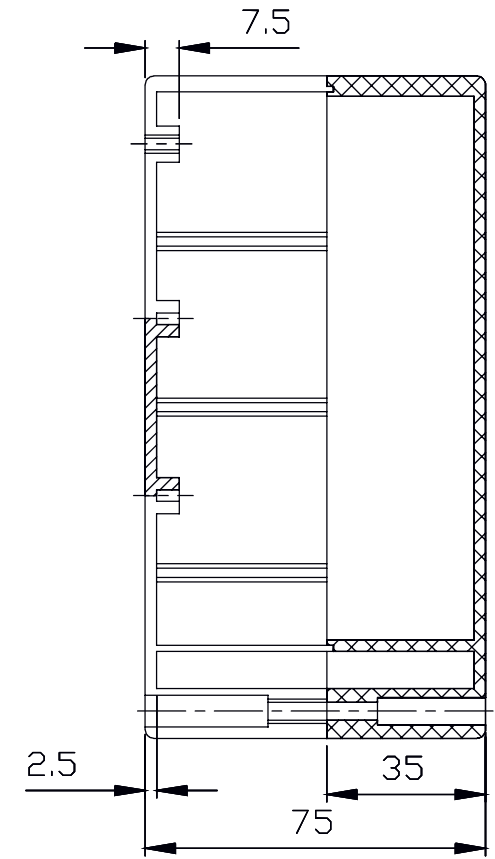
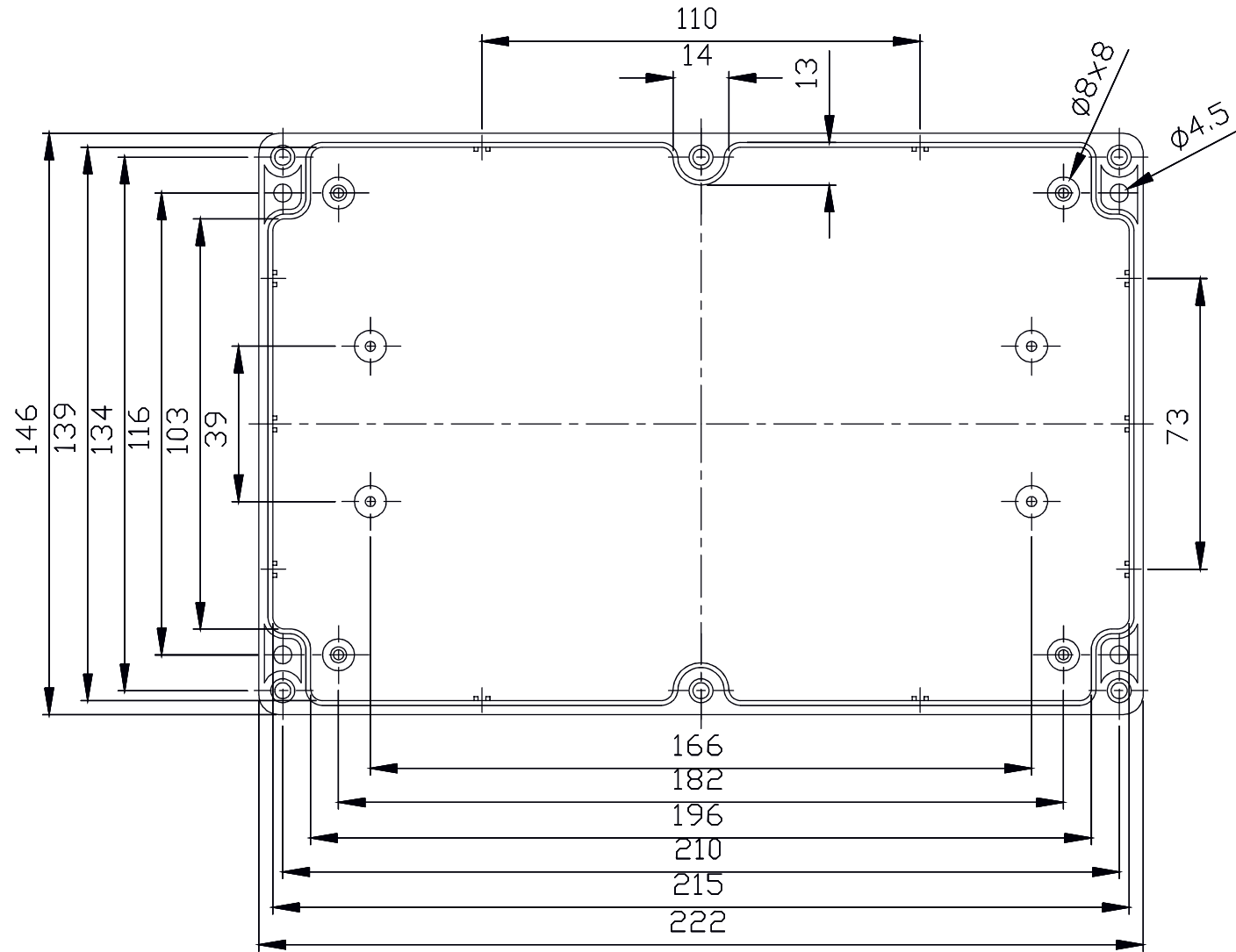
A4

| CHK'D | NAME | SIGNED | DATE |
|-------|------|--------|------|
| - | - | - | - |

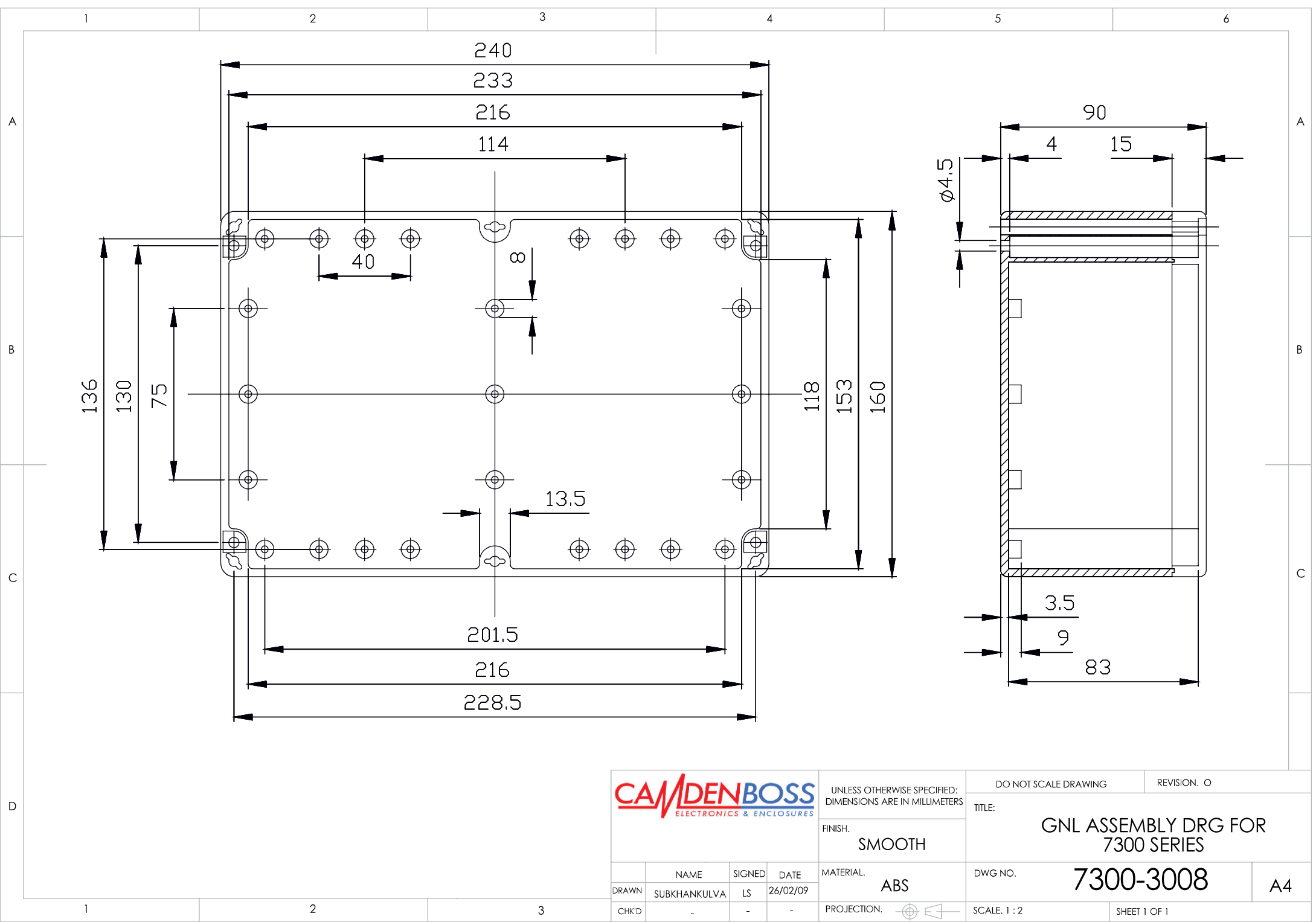
PROJECTION.

SCALE: 1 : 1

SHEET 1 OF 1



| | | | | | | | | | | | | | |
|------------------------|--|------------|--|--|--|---|--|------------------|--|---------------------|--|--------------|--|
| | | | | UNLESS OTHERWISE SPECIFIED: DIMENSIONS ARE IN MILLIMETERS | | DO NOT SCALE DRAWING | | REVISION. 0 | | | | | |
| | | | | FINISH. SMOOTH | | TITLE: GNL ASSEMBLY DRG FOR 7300 SERIES | | | | | | | |
| DRAWN SUBKHANKULOVA | | NAME LS | | SIGNED - | | DATE 26/02/09 | | MATERIAL. ABS | | DWG NO. 7300-353 | | A4 | |
| CHK'D - | | - | | - | | - | | PROJECTION. | | SCALE. 1 : 2 | | SHEET 1 OF 1 | |



UNLESS OTHERWISE SPECIFIED:
DIMENSIONS ARE IN MILLIMETERS

DO NOT SCALE DRAWING REVISION: 0

FINISH:
SMOOTH

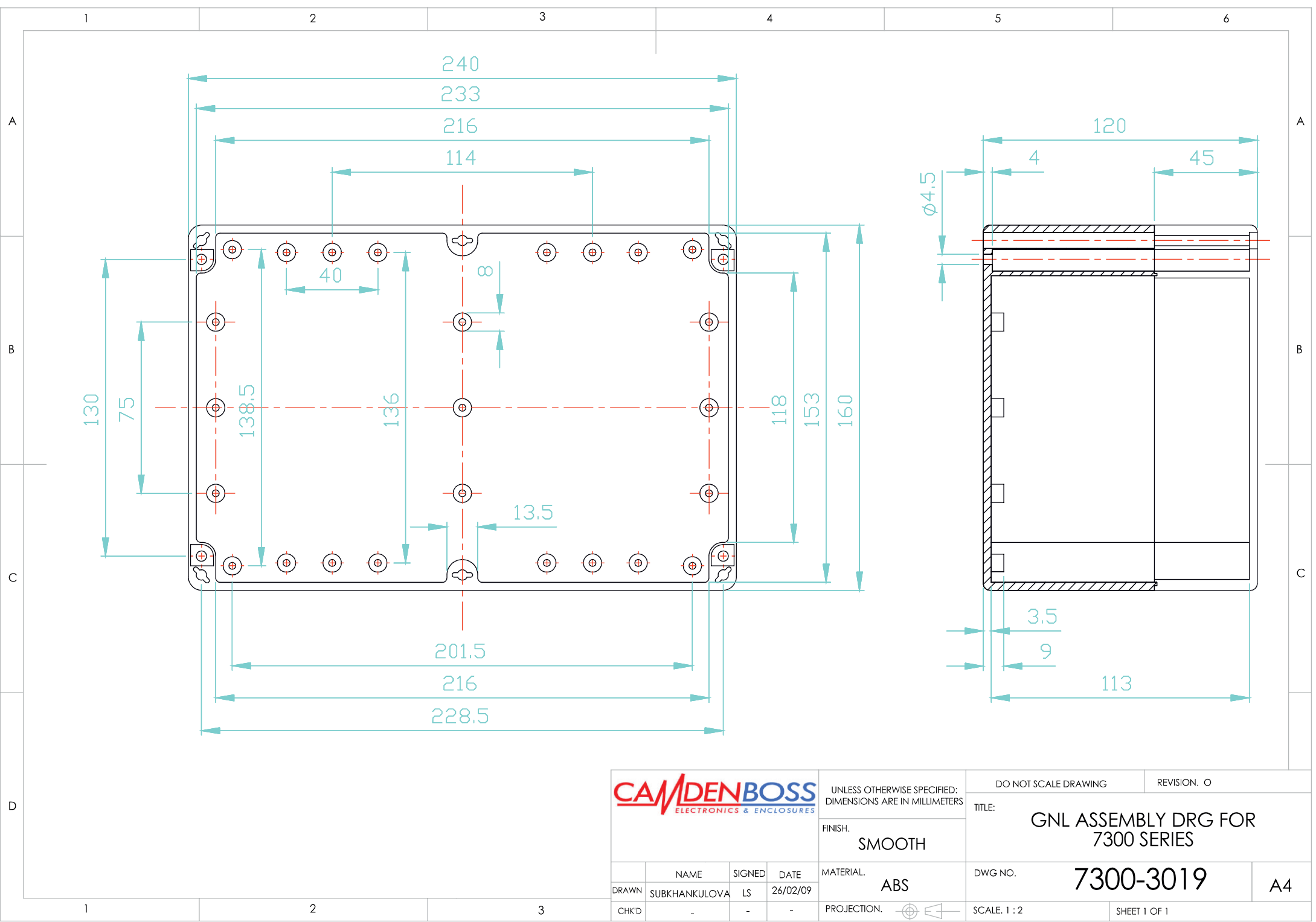
TITLE:
GNL ASSEMBLY DRG FOR
7300 SERIES

| | | | |
|-------|------|--------|------|
| DRAWN | NAME | SIGNED | DATE |
| CHK'D | | | |

MATERIAL:
ABS

PROJECTION:

| | | |
|--------------|--------------|----|
| DWG NO. | 7300-3008 | A4 |
| SCALE: 1 : 2 | SHEET 1 OF 1 | |



UNLESS OTHERWISE SPECIFIED:
DIMENSIONS ARE IN MILLIMETERS

FINISH:
SMOOTH

DO NOT SCALE DRAWING REVISION. 0

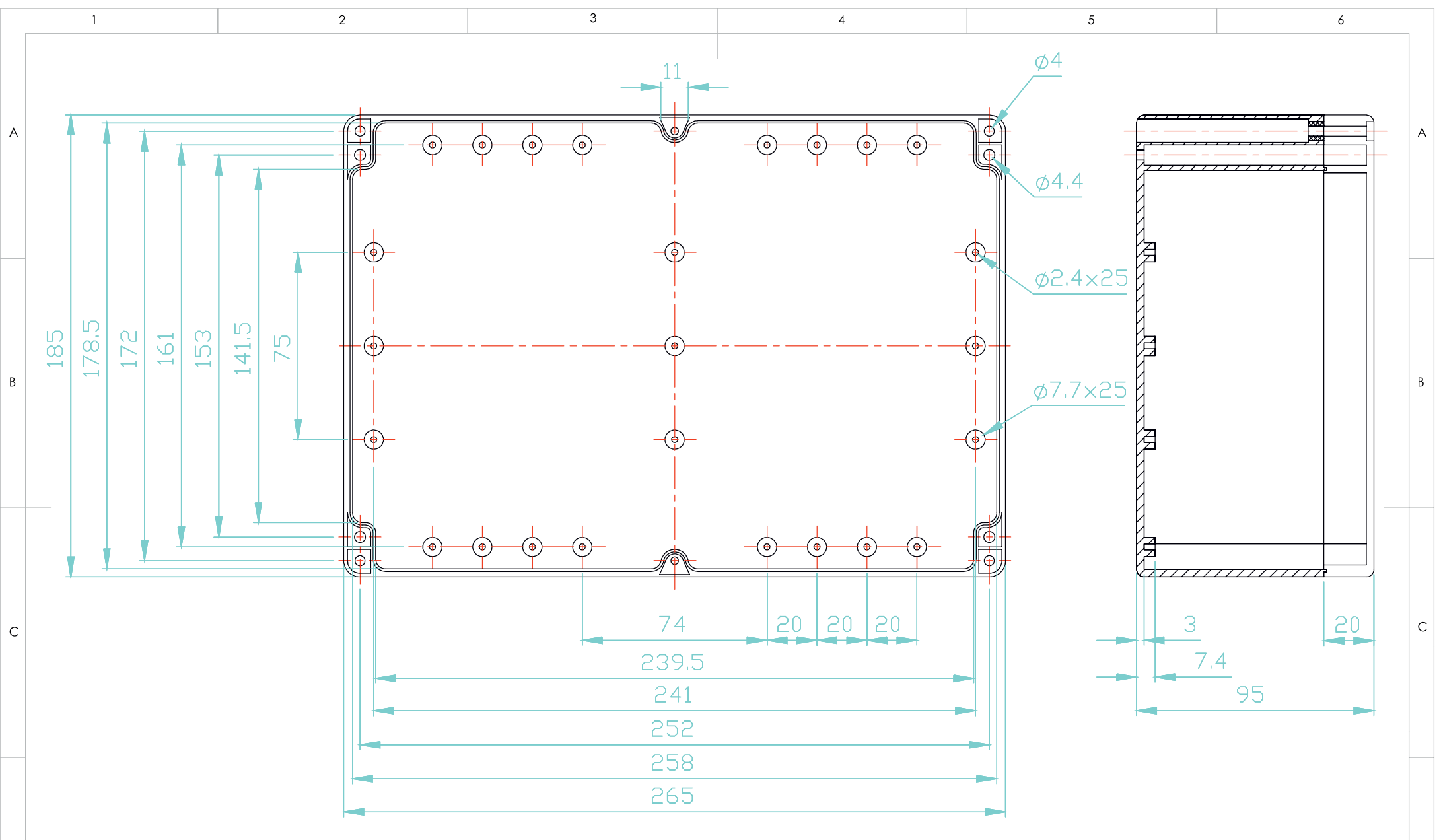
TITLE:
**GNL ASSEMBLY DRG FOR
7300 SERIES**

| | | | |
|-------|------|--------|------|
| DRAWN | NAME | SIGNED | DATE |
| CHK'D | | | |

MATERIAL:
ABS

PROJECTION.

| | | |
|--------------|------------------|----|
| DWG NO. | 7300-3019 | A4 |
| SCALE. 1 : 2 | SHEET 1 OF 1 | |



UNLESS OTHERWISE SPECIFIED:
DIMENSIONS ARE IN MILLIMETERS

FINISH:
SMOOTH

DO NOT SCALE DRAWING REVISION: 0

TITLE: **GNL ASSEMBLY DRG FOR 7300 SERIES**

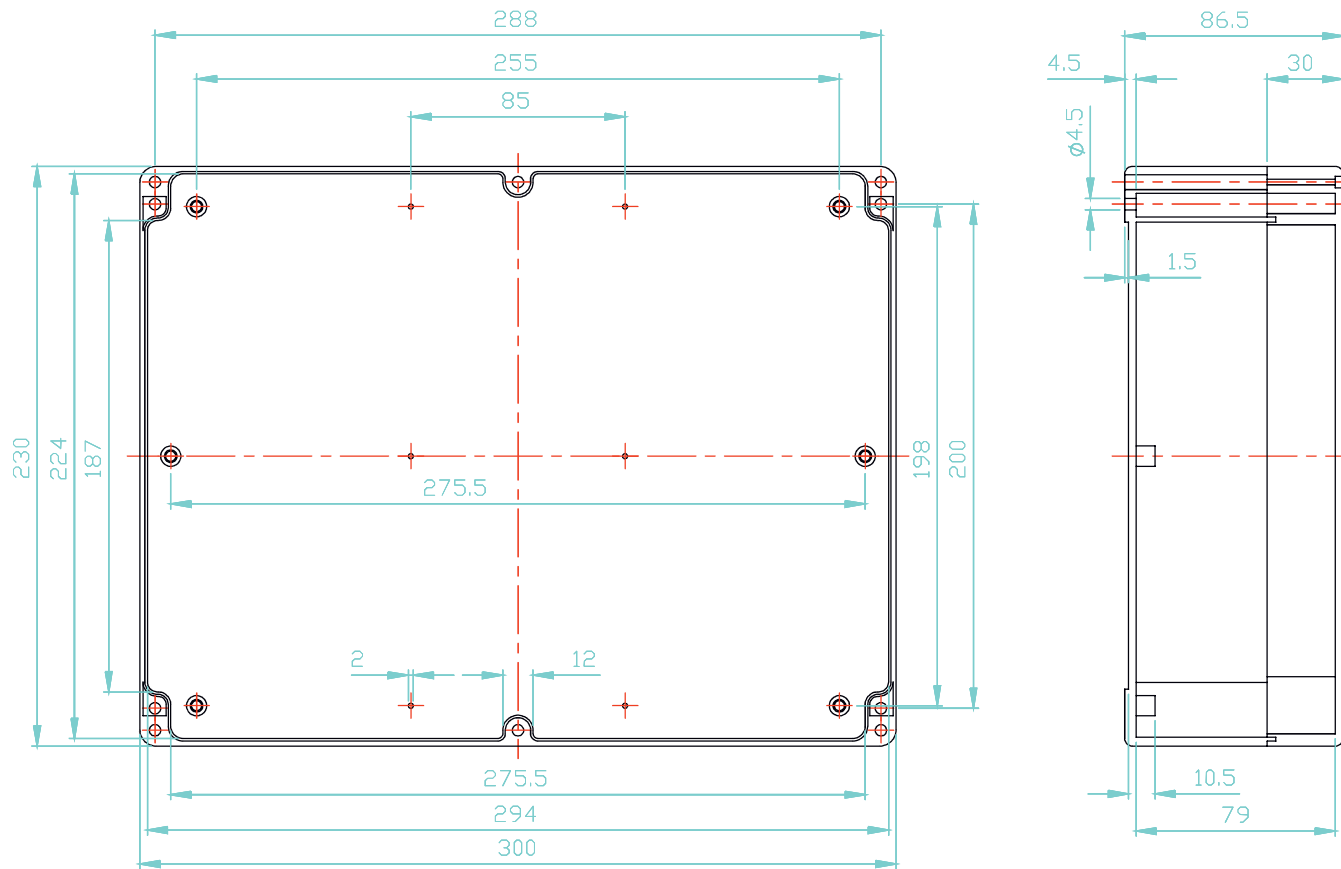
| | | | |
|-------|------|--------|------|
| DRAWN | NAME | SIGNED | DATE |
| CHK'D | | | |

MATERIAL:
ABS

PROJECTION:

DWG NO. **7300-378** A4

SCALE: 1 : 1 SHEET 1 OF 1



CAMDENBOSS
ELECTRONICS & ENCLOSURES

JAMES CARTER RD, MILDENHALL, SUFFOLK, IP28 7DE
TEL: 01638 716101 FAX: 01638 716554
EMAIL: Sales@CamdenBoss.com
WEB: www.CamdenBoss.com

UNLESS OTHERWISE SPECIFIED:
DIMENSIONS ARE IN MILLIMETERS

FINISH.
SMOOTH

MATERIAL.
ABS

PROJECTION.

DO NOT SCALE DRAWING

REVISION. 0

TITLE:

GNL ASSEMBLY DRG FOR
7300 SERIES

DWG NO.

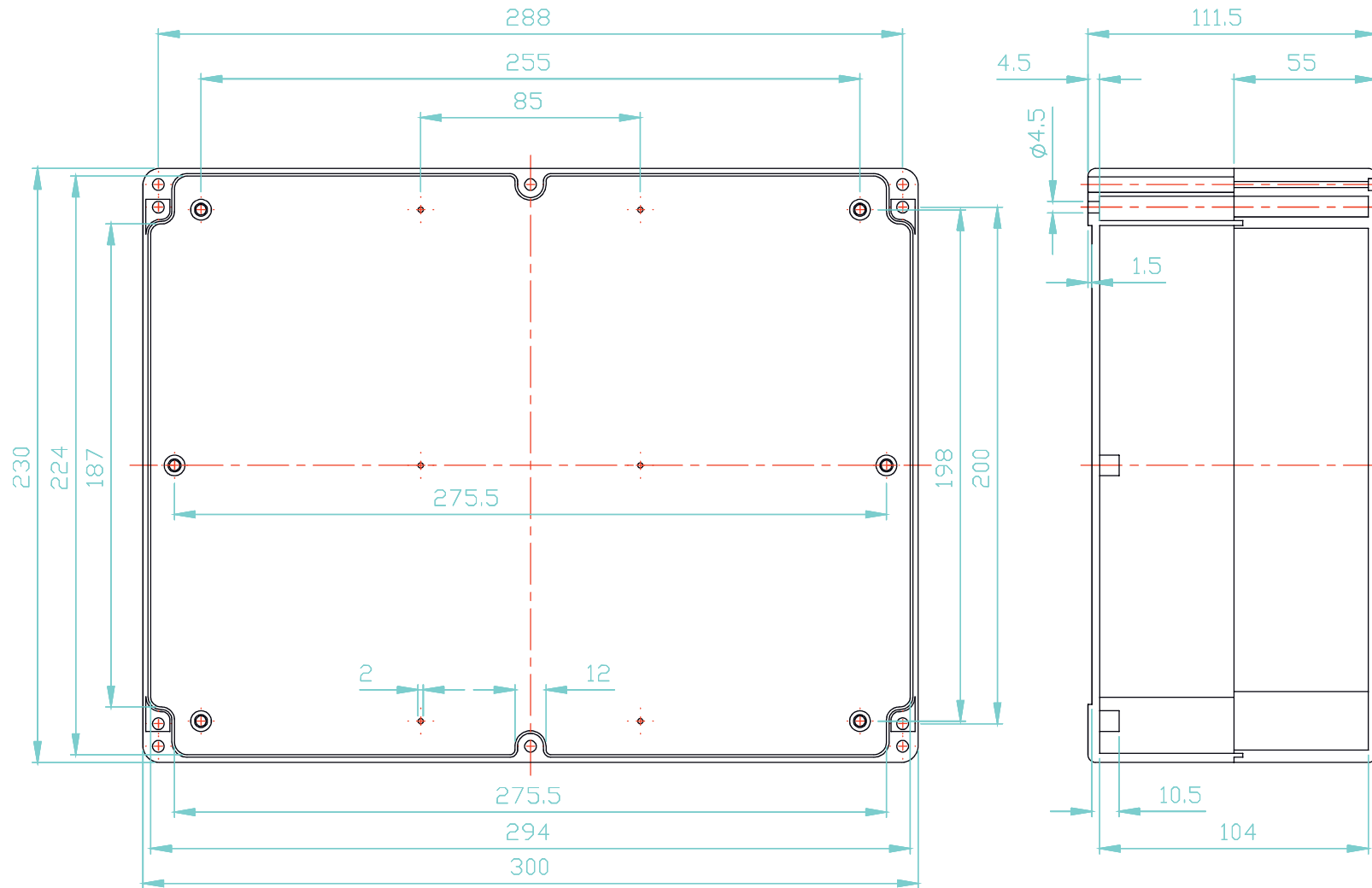
7300-3028

A4

SCALE. 1 : 3

SHEET 1 OF 1

| | NAME | SIGNED | DATE |
|-------|---------------|--------|----------|
| DRAWN | SUBKHANKULOVA | LS | 26/02/09 |
| CHK'D | - | - | - |



UNLESS OTHERWISE SPECIFIED:
DIMENSIONS ARE IN MILLIMETERS

DO NOT SCALE DRAWING

REVISION: 0

FINISH:
SMOOTH

TITLE:
GNL ASSEMBLY DRG FOR
7300 SERIES

| DRAWN | NAME | SIGNED | DATE |
|-------|------|--------|------|
| CHK'D | - | - | - |

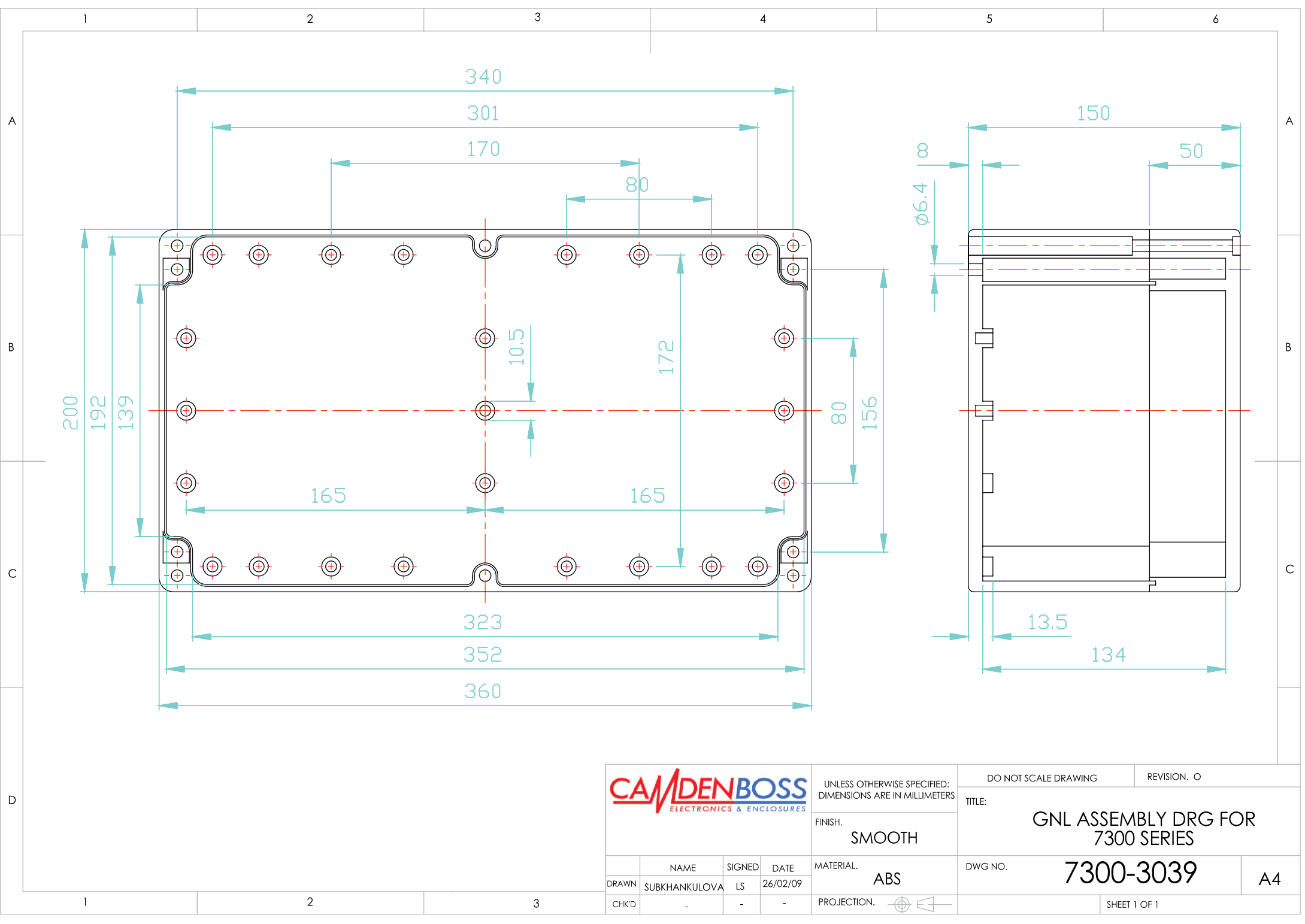
MATERIAL:
ABS

DWG NO. 7300-3031

A4

PROJECTION:

SHEET 1 OF 1



UNLESS OTHERWISE SPECIFIED:
DIMENSIONS ARE IN MILLIMETERS

FINISH.
SMOOTH

DO NOT SCALE DRAWING REVISION. 0

TITLE:
**GNL ASSEMBLY DRG FOR
7300 SERIES**

| | | | |
|-------|---------------|--------|----------|
| | NAME | SIGNED | DATE |
| DRAWN | SUBKHANKULOVA | LS | 26/02/09 |
| CHK'D | - | - | - |

MATERIAL.
ABS

PROJECTION.

DWG NO. **7300-3039** **A4**

SHEET 1 OF 1