

Desktop & Instrument Cases

2600/2700 Series Terminal Cases

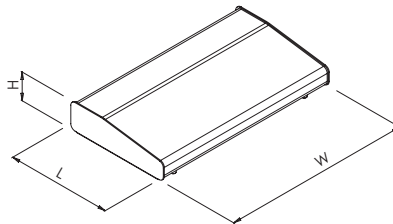
Comprehensive range of laboratory equipment, keyboard, access & security applications.

- 2 part aluminium construction
- Easy assembly with 4x M3 screws running through rubber feet into base
- 4x rubber feet supplied as standard

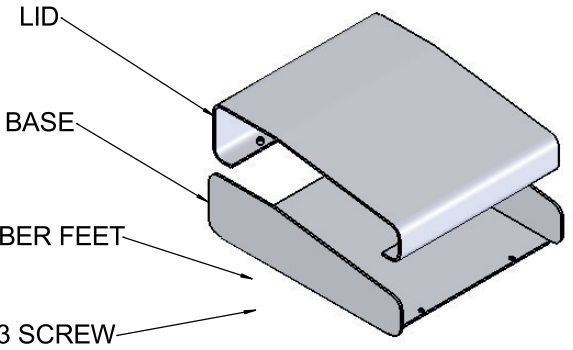
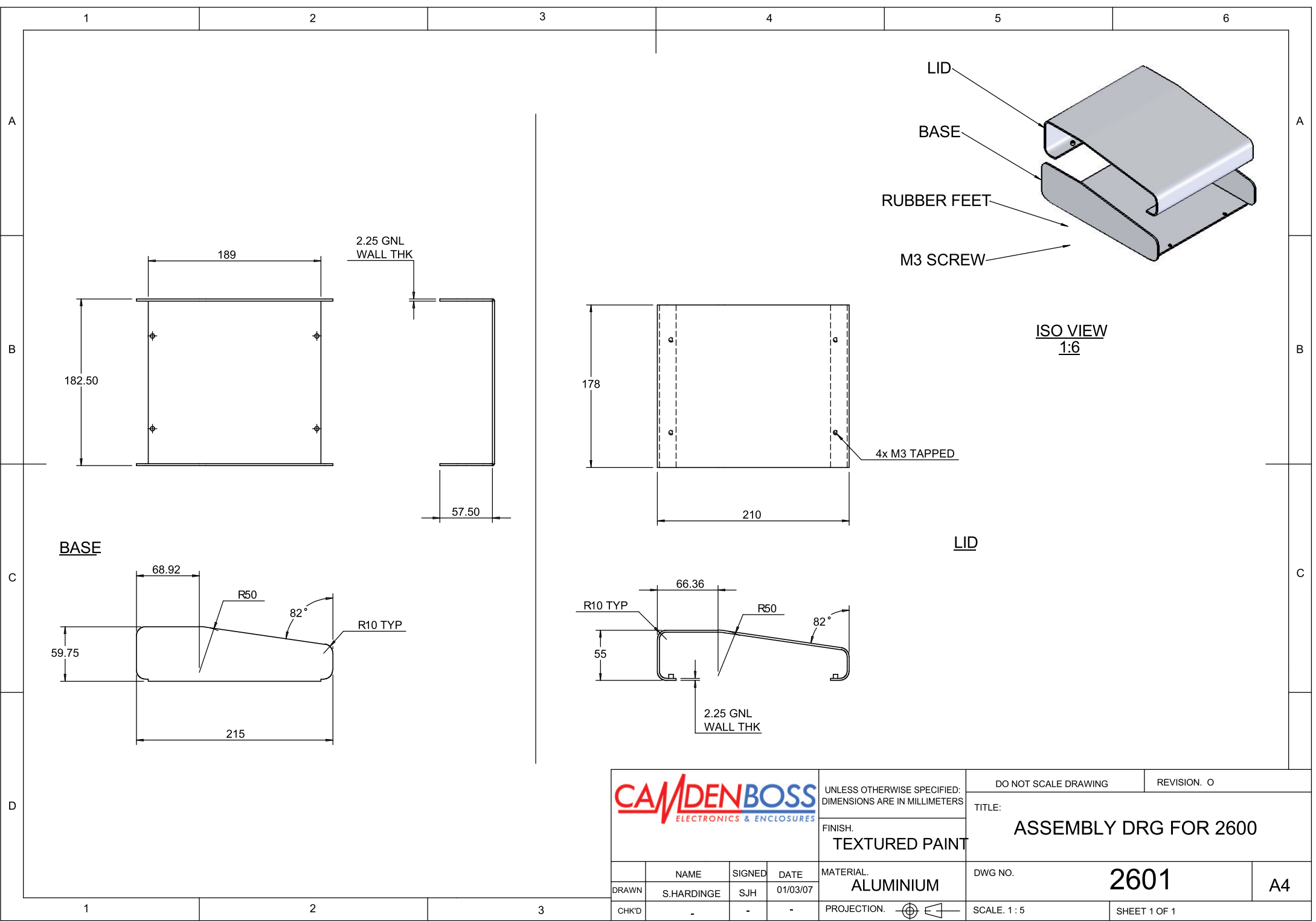


SPECIFICATION	
Material	Base 2mm thick aluminium Lid 1.6mm thick aluminium
Protection class	IP40
Standard colours	Top beige as standard Base brown as standard Other colours available to order
Standard unit includes	Lid & base 4x M3 machine screws 4x rubber feet

TYPE NO.	LENGTH	WIDTH	HEIGHT
RTM2601-BR/B	210mm	178mm	55mm
RTM2602-BR/B	210mm	280mm	55mm
RTM2603-BR/B	210mm	381mm	55mm
RTM2604-BR/B	210mm	483mm	55mm
RTM2701-BR/B	210mm	178mm	80mm
RTM2702-BR/B	210mm	280mm	106mm
RTM2703-BR/B	210mm	381mm	106mm
RTM2704-BR/B	210mm	483mm	106mm



desktop &
instrument
cases



ISO VIEW
1:6

4x M3 TAPPED

LID

BASE

R10 TYP

2.25 GNL
WALL THK



UNLESS OTHERWISE SPECIFIED:
DIMENSIONS ARE IN MILLIMETERS

DO NOT SCALE DRAWING

REVISION. O

TITLE:

ASSEMBLY DRG FOR 2600

FINISH:
TEXTURED PAINT

MATERIAL:
ALUMINIUM

DWG NO.

2601

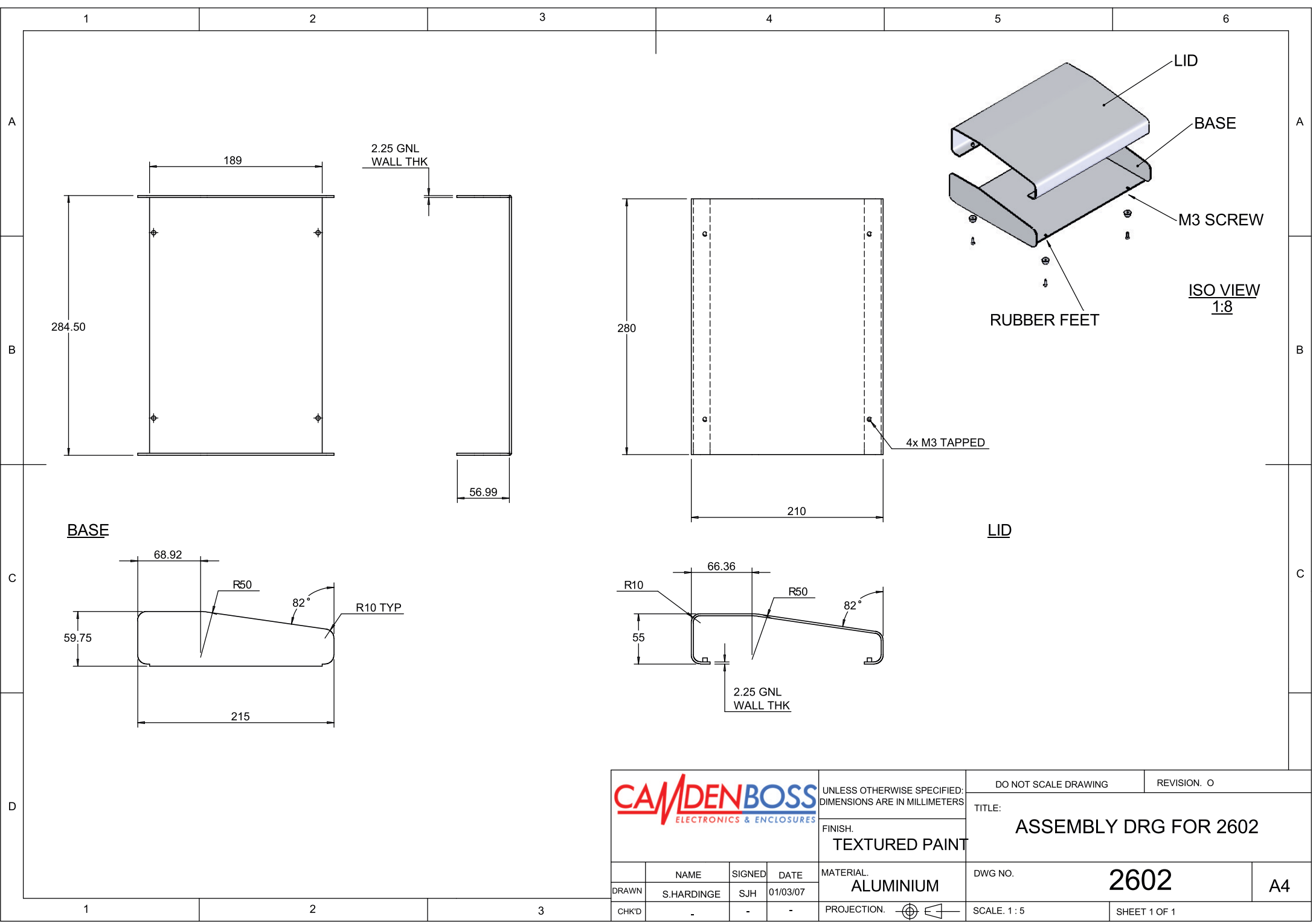
A4

	NAME	SIGNED	DATE
DRAWN	S.HARDINGE	SJH	01/03/07
CHK'D	-	-	-

PROJECTION.

SCALE: 1:5

SHEET 1 OF 1

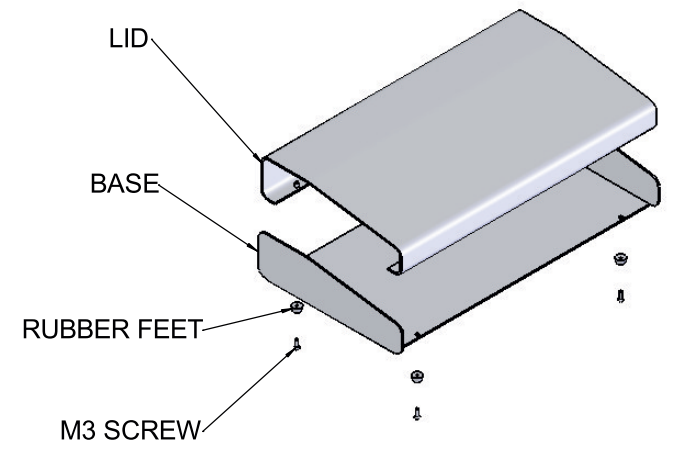
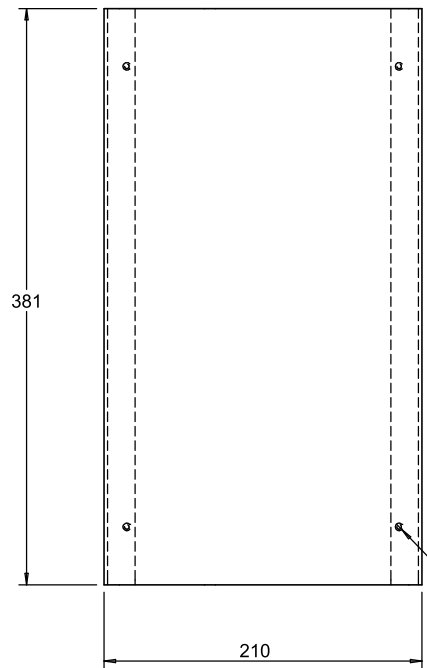
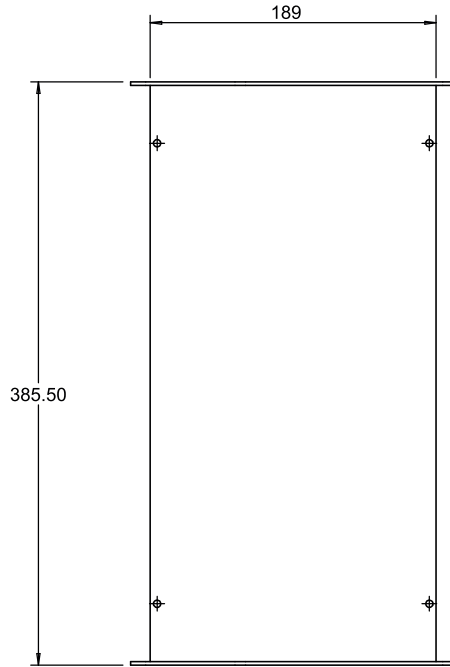
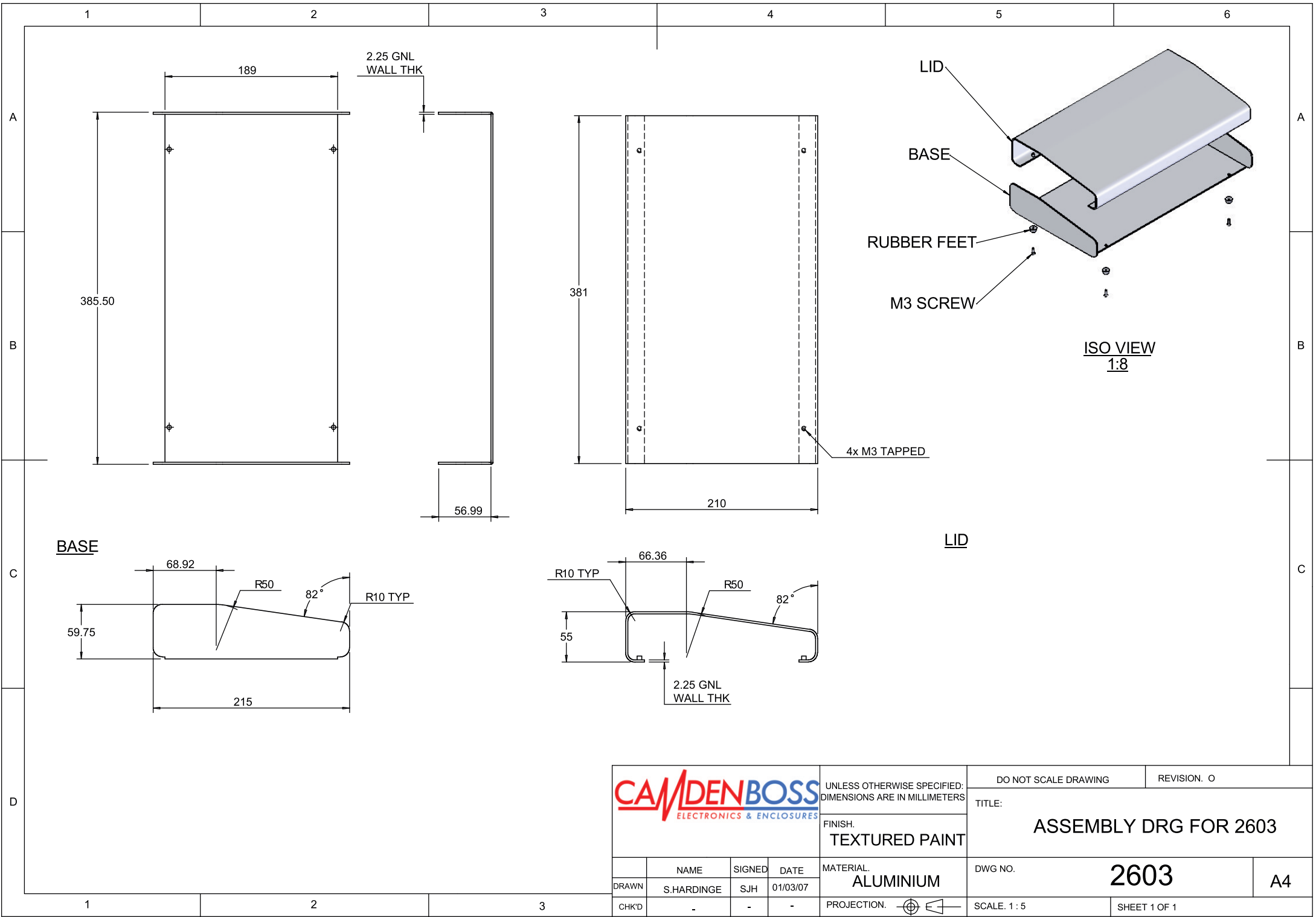


BASE

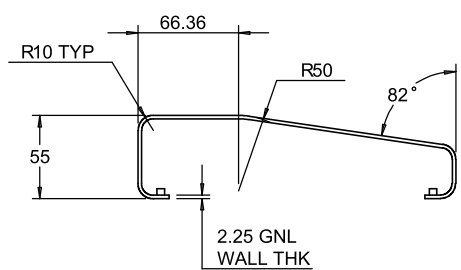
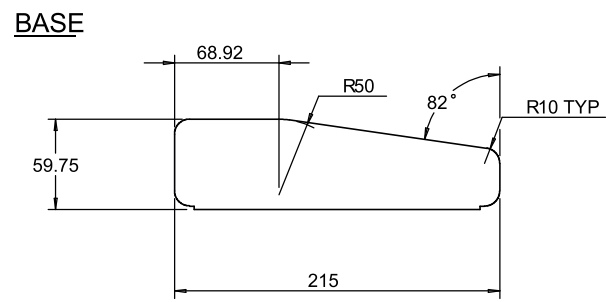
LID

**ISO VIEW
1:8**

				UNLESS OTHERWISE SPECIFIED: DIMENSIONS ARE IN MILLIMETERS		DO NOT SCALE DRAWING	REVISION. 0
				FINISH: TEXTURED PAINT		TITLE: ASSEMBLY DRG FOR 2602	
	NAME	SIGNED	DATE	MATERIAL.	DWG NO.		
DRAWN	S.HARDINGE	SJH	01/03/07	ALUMINIUM	2602	A4	
CHK'D	-	-	-	PROJECTION.	SCALE: 1:5	SHEET 1 OF 1	

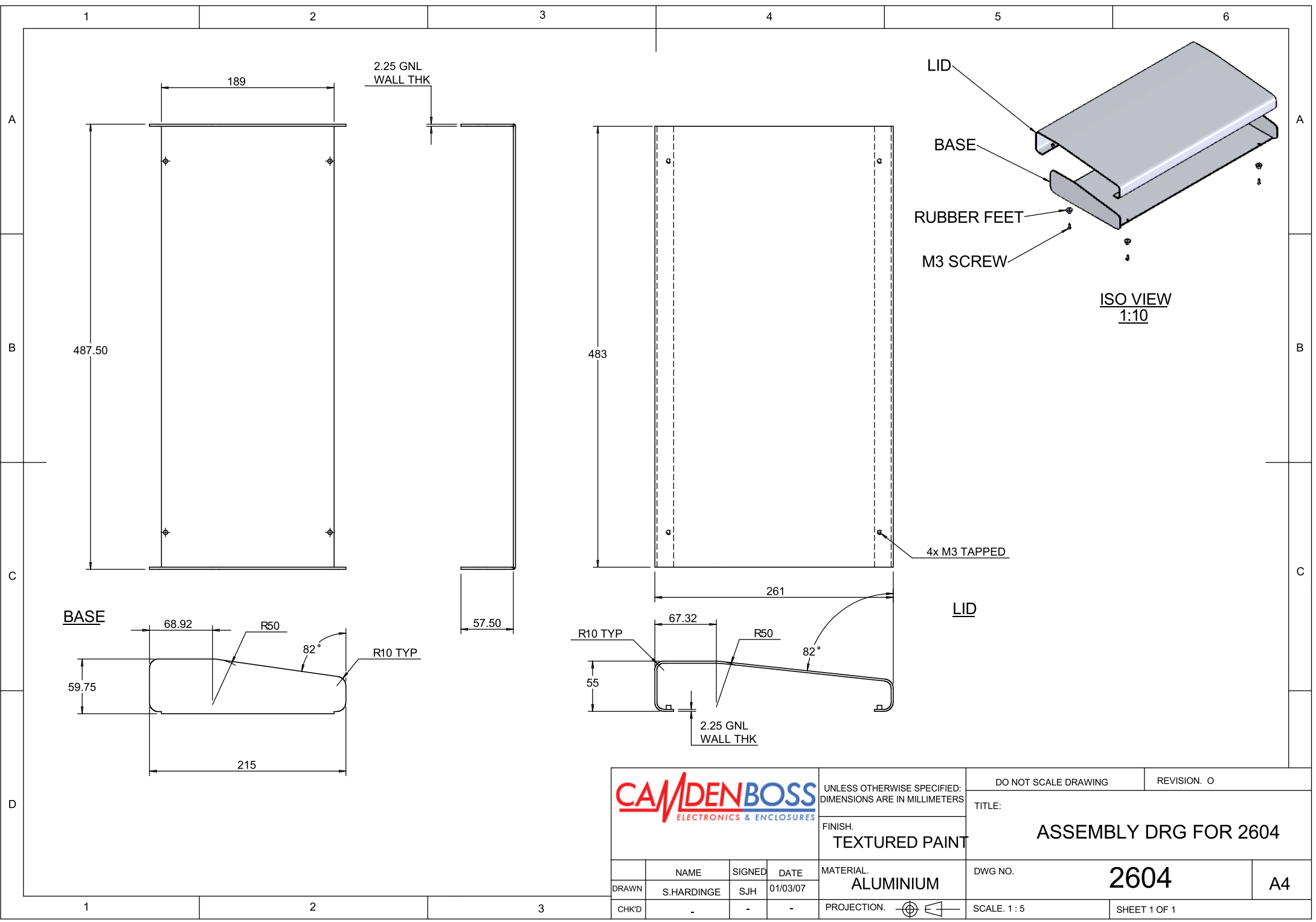


ISO VIEW
1:8

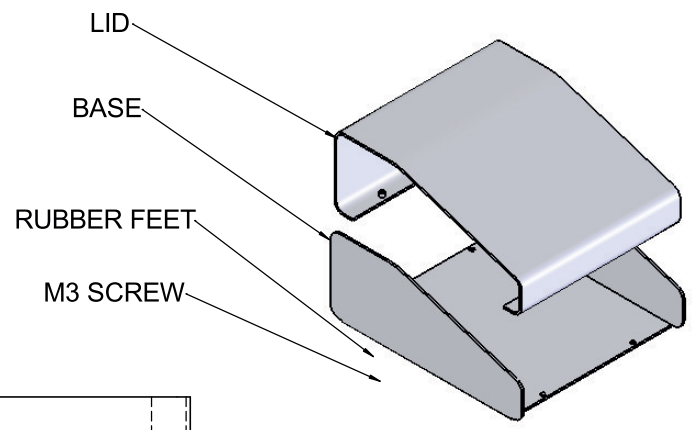
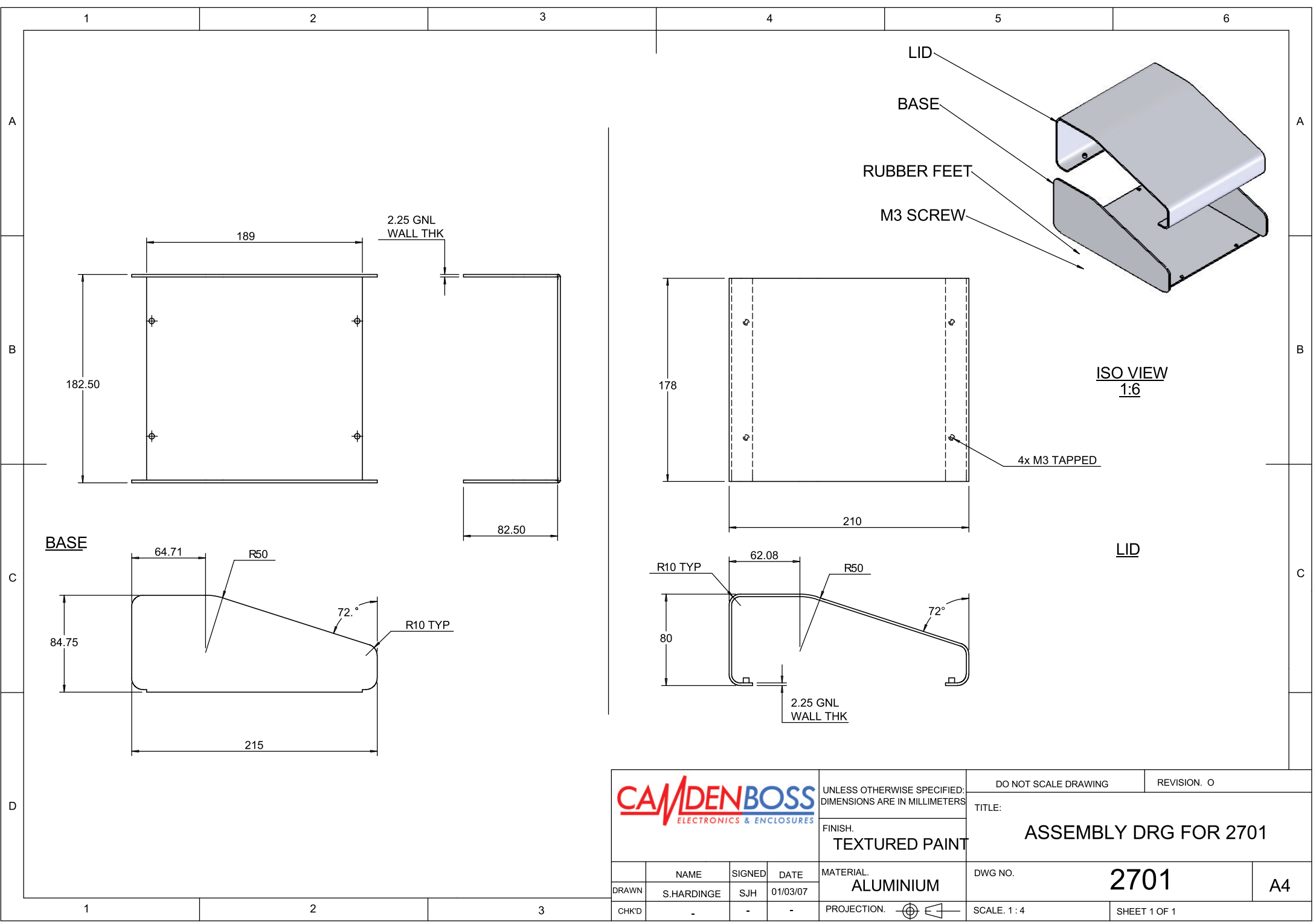


LID

				UNLESS OTHERWISE SPECIFIED: DIMENSIONS ARE IN MILLIMETERS		DO NOT SCALE DRAWING	REVISION. 0
				FINISH. TEXTURED PAINT		TITLE: ASSEMBLY DRG FOR 2603	
	NAME	SIGNED	DATE	MATERIAL.	DWG NO.	2603	
DRAWN	S.HARDINGE	SJH	01/03/07	ALUMINIUM			A4
CHK'D	-	-	-	PROJECTION.	SCALE. 1:5	SHEET 1 OF 1	



UNLESS OTHERWISE SPECIFIED: DIMENSIONS ARE IN MILLIMETERS		DO NOT SCALE DRAWING	REVISION. 0
FINISH. TEXTURED PAINT		TITLE: ASSEMBLY DRG FOR 2604	
DRAWN	NAME S.HARDINGE	SIGNED SJH	DATE 01/03/07
CHK'D	-	-	-
MATERIAL. ALUMINIUM		DWG NO. 2604	A4
PROJECTION.		SCALE. 1 : 5	SHEET 1 OF 1

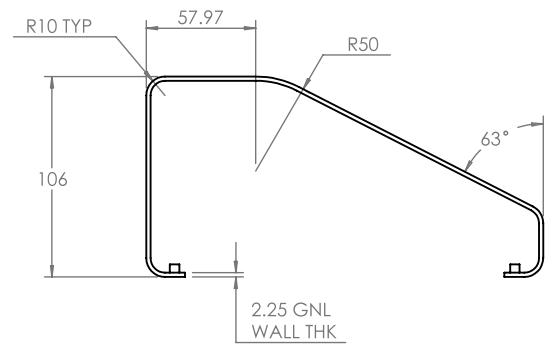
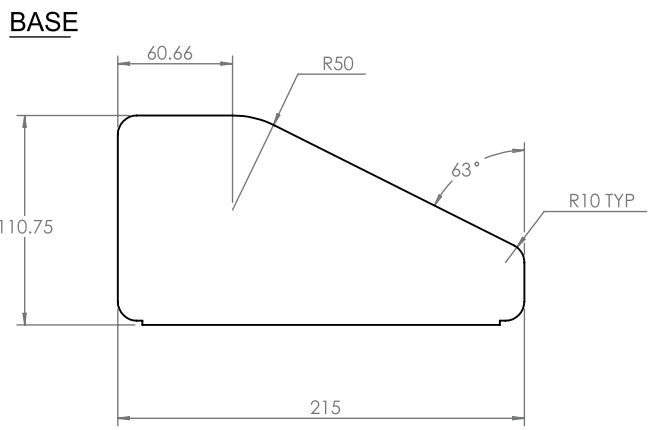
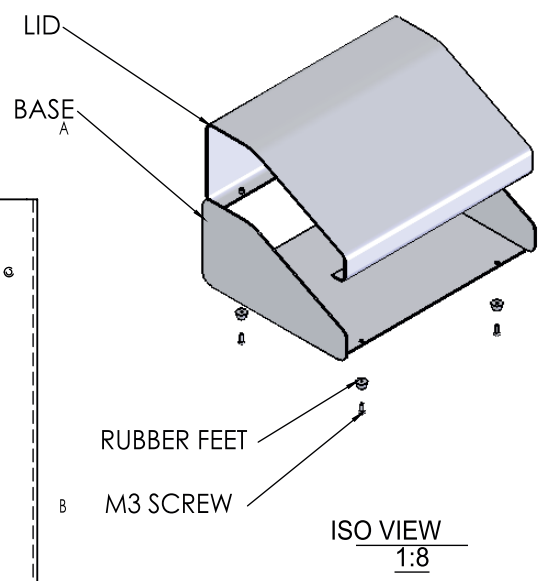
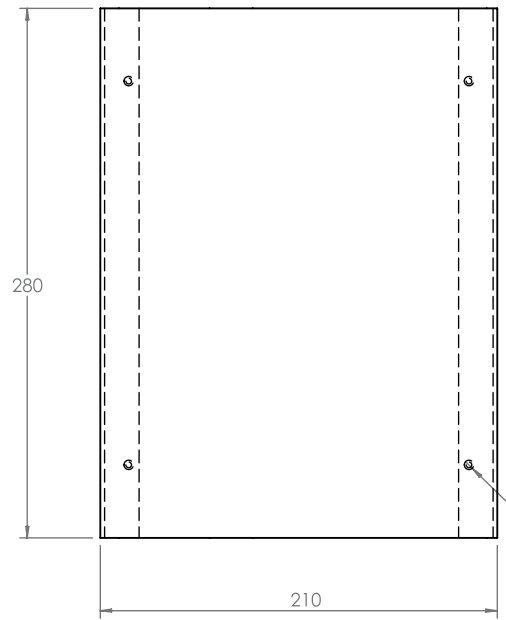
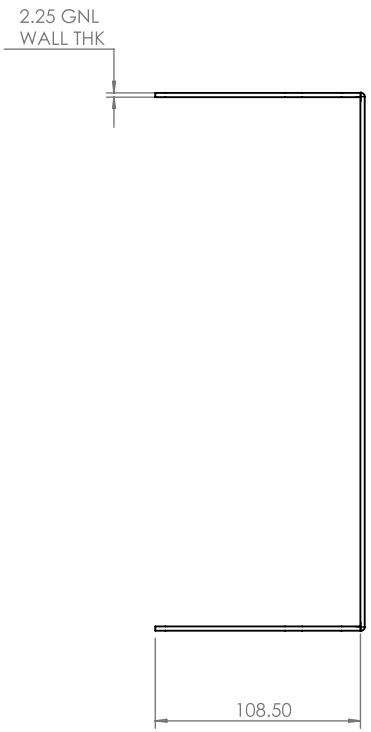
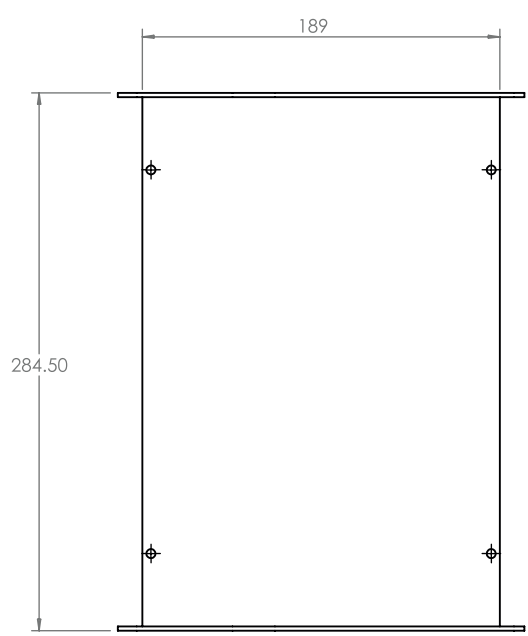


ISO VIEW
1:6

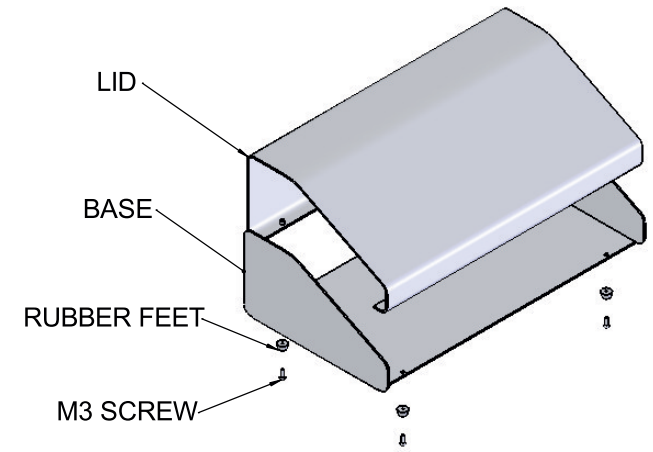
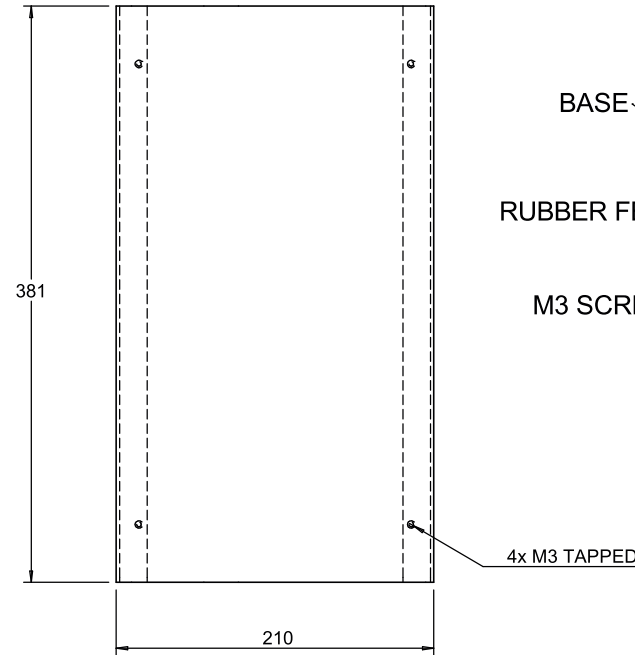
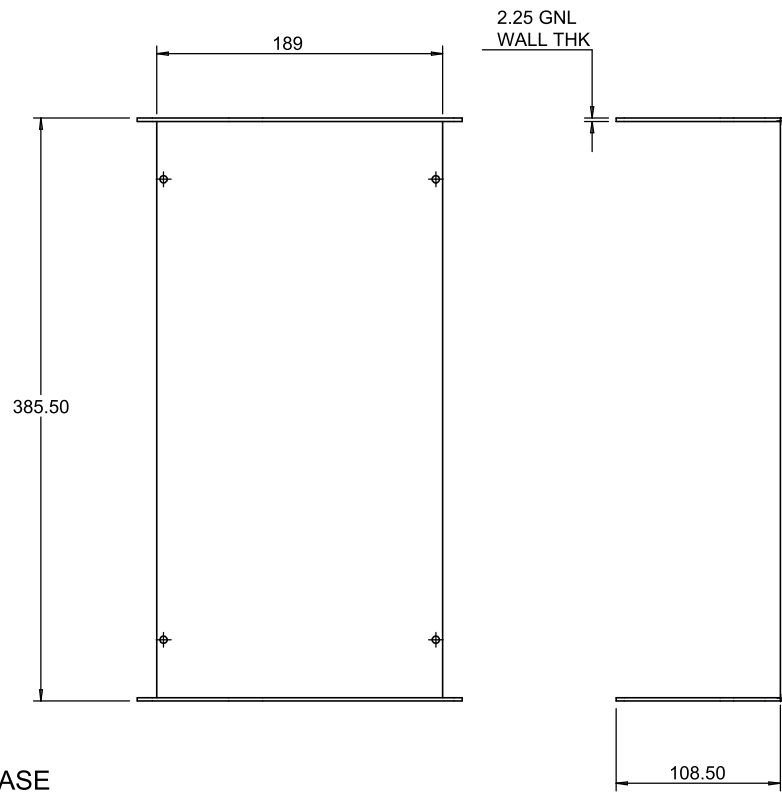
4x M3 TAPPED

LID

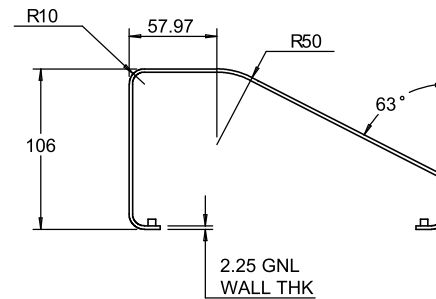
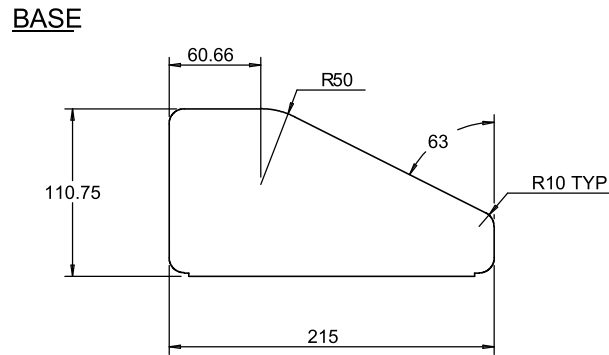
				UNLESS OTHERWISE SPECIFIED: DIMENSIONS ARE IN MILLIMETERS		DO NOT SCALE DRAWING	REVISION: 0
				FINISH: TEXTURED PAINT		TITLE: ASSEMBLY DRG FOR 2701	
	NAME	SIGNED	DATE	MATERIAL: ALUMINIUM	DWG NO.	2701	A4
DRAWN	S.HARDINGE	SJH	01/03/07				
CHK'D	-	-	-	PROJECTION:	SCALE: 1:4	SHEET 1 OF 1	



				UNLESS OTHERWISE SPECIFIED: DIMENSIONS ARE IN MILLIMETERS	DO NOT SCALE DRAWING	REVISION: 0
FINISH: TEXTURED PAINT				TITLE: ASSEMBLY DRG FOR 2702		
DRAWN S.HARDINGE	NAME S.HARDINGE	SIGNED SJH	DATE 01/03/07	MATERIAL: ALUMINIUM	DWG NO. 2702	A4
CHK'D -	-	-	-	PROJECTION:	SCALE: 1:4	SHEET 1 OF 1



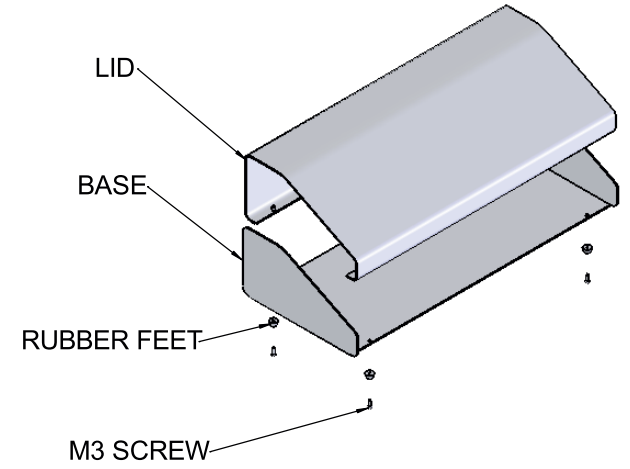
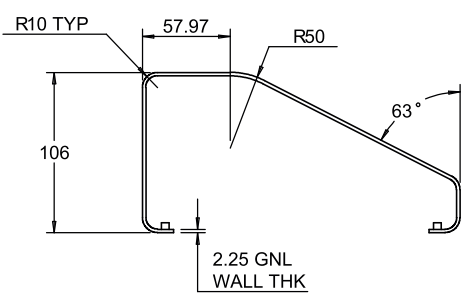
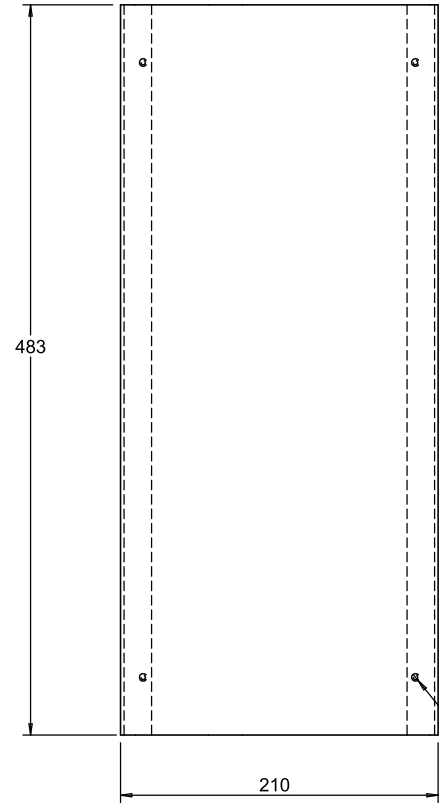
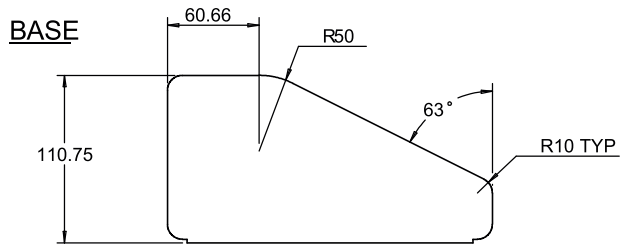
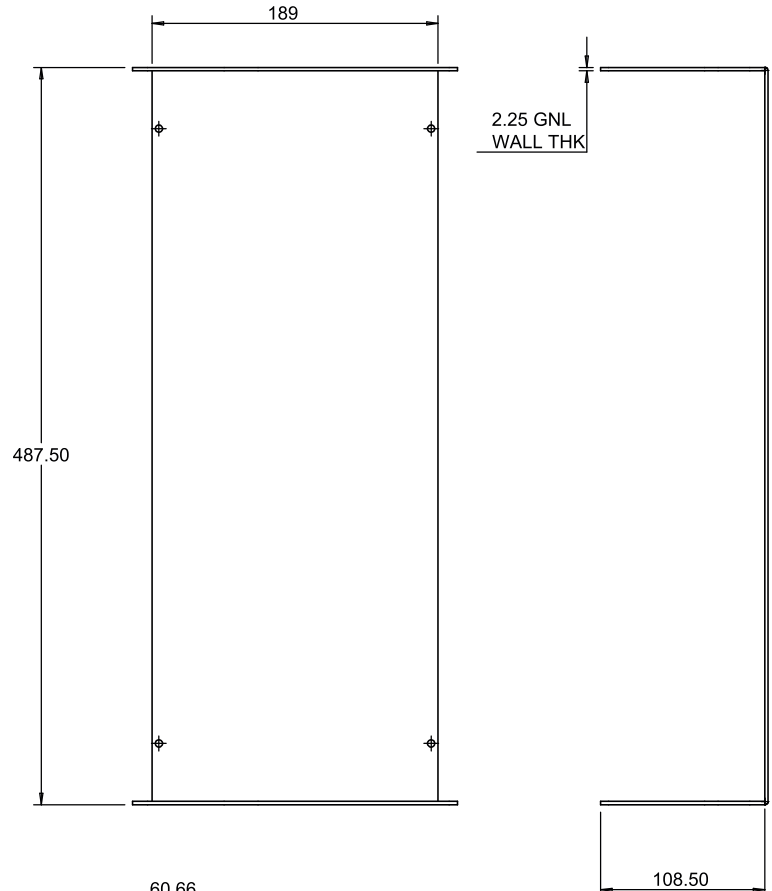
ISO VIEW
1:8



LID

		UNLESS OTHERWISE SPECIFIED: DIMENSIONS ARE IN MILLIMETERS		DO NOT SCALE DRAWING	REVISION: 0
		FINISH: TEXTURED PAINT		TITLE: ASSEMBLY DRG FOR 2703	
DRAWN	NAME: S.HARDINGE	SIGNED: SJH	DATE: 01/03/07	MATERIAL: ALUMINIUM	DWG NO. 2703
CHK'D	-	-	-	PROJECTION:	SCALE: 1:5
				SHEET 1 OF 1	

A4



ISO VIEW
1:8

LID

				UNLESS OTHERWISE SPECIFIED: DIMENSIONS ARE IN MILLIMETERS		DO NOT SCALE DRAWING	REVISION. 0
				FINISH: TEXTURED PAINT		TITLE: ASSEMBLY DRG FOR 2704	
DRAWN	NAME S.HARDINGE	SIGNED SJH	DATE 01/03/07	MATERIAL. ALUMINIUM	DWG NO.	2704	A4
CHK'D	-	-	-	PROJECTION.	SCALE. 1:5	SHEET 1 OF 1	