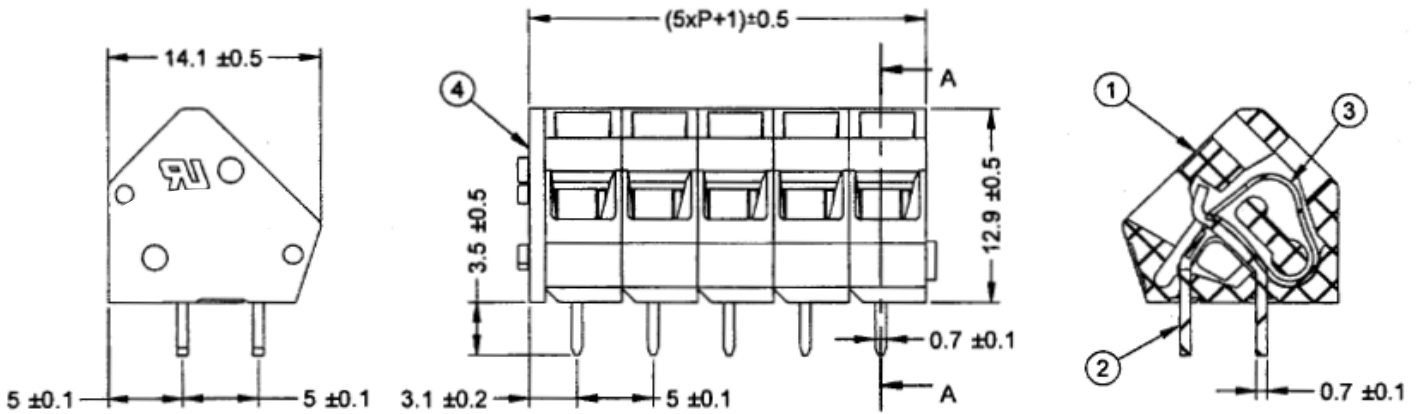


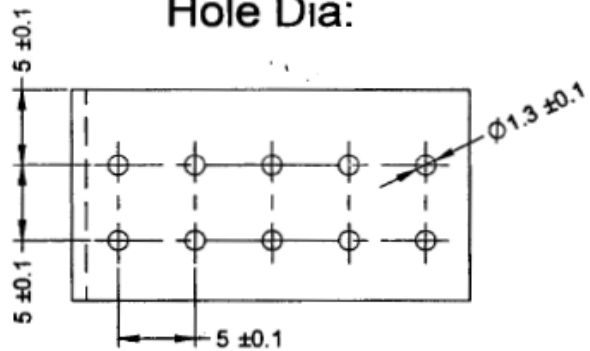
MPX110-500

: Poles
 500 : Pitch 5.00mm
 110 : Standard
 MPX : Type



Current rating UL : 15Amp AC300V
 Maximum operating temperature : +100°C
 Degree of protection : IP20
 Wire strip length : 5-6mm
 Storage temperature : -25°C to +55°C
 Wire range (UL/CSA) : 28~12 AWG
 Current rating VDE : 16A 250V
 Wire range VDE : 0.08 - 2.5mm²

Hole Dia:



All materials are lead free according to EU.

DECA SwitchLab
Switchlab INC.

CONFIRMED & ACCEPTED BY

Parts	Material	Plating / Finish	Remark
1 Insulating body	Polyamide 66(UL94V-0)	RAL 7032	Grey
2 Terminal	DIN E-Cu57 (JIS C1100)	Ni3 Sn5	
3 Spring	Stainless strip steel		
4 Side cover	Polyamide 66(UL94V-0)	RAL 7032	Grey
5			

DRAWING NO.	MPX110-500	VERSION	D	CONFIRMED BY	<i>Widomk</i>
SHEET OF	1/1	METRIC	MM	DRAWN BY	<i>Sum</i>
		DATE	2006/06/02	GENERAL MANAGER	<i>J. L. ix</i>

單據編號 : QR-0703-08 版次 : A版

Distributed by Conrad Electronic SE