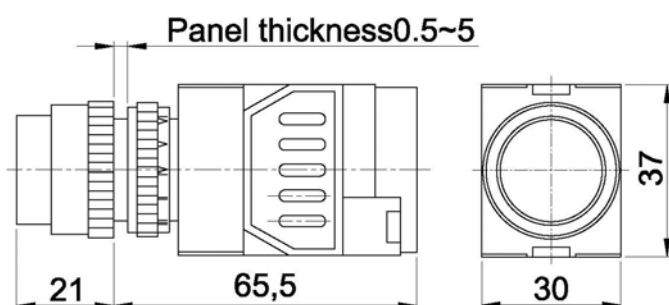


Datasheet

Item no. 1282856

V1_0717_01_en

Φ22 mm, Buzzer, 12 V AC/DC, Item no. 1282856



Mounting diameter	22 mm
Buzzer current (max.)	≤20 mA
Buzzer voltage	12V AC/DC
The front shape	flat
Terminal type	screw terminal
Dielectric intensity	1000 V/AC
Operating and storage temperature	-25 to +55 °C
Operating and storage humidity	45 to 85 % RH
Panel thickness	0.5 ~ 5 mm
Sound intensity	≥75 dB (1m)
Cap material	PC
Body material	ABS
weight of buzzer	appx. 50g

This is a publication by Conrad Electronic SE, Klaus-Conrad-Str. 1, D-92240 Hirschau (www.conrad.com).

All rights including translation reserved. Reproduction by any method, e.g. photocopy, microfilming, or the capture in electronic data processing systems require the prior written approval by the editor. Reprinting, also in part, is prohibited. This publication represents the technical status at the time of printing.

© Copyright 2017 by Conrad Electronic SE.