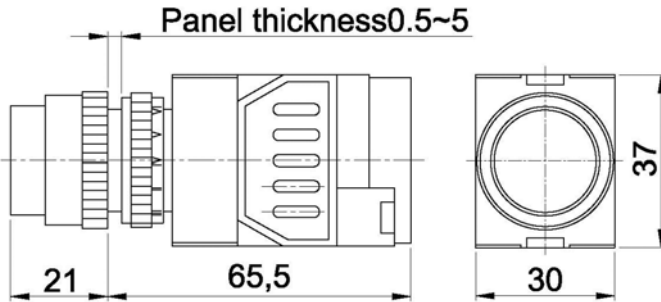


**Φ22 mm, Flash buzzer, Black body,
12 V AC/DC
Item no. 93032C4**

Version 08/14



Specification	Y090E-SM/R/12V
Mounting diameter	22 mm
Buzzer current (max.)	≤20 mA
Buzzer voltage	12V AC/DC
Terminal type	screw terminal
Dielectric intensity	1000 V/AC
Operating and storage temperature	-25 to +55 °C
Operating and storage humidity	45 to 85 % RH
Panel thickness	0.5 ~ 5 mm
Sound intensity	≥75 dB (1m)
Cap material	PC
Body material	ABS