

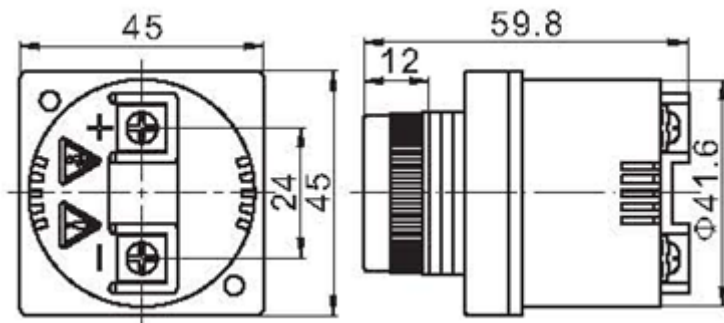
# Datasheet

Item no. 1282860

V1\_0717\_01\_en

## Φ25 mm, Buzzer, 12 V AC/DC

Item no. 1282860



Mounting diameter .....	25 mm
Buzzer current (max.) .....	≤20 mA
Buzzer voltage .....	12V AC/DC
Terminal type .....	screw terminal
Dielectric intensity .....	1000 V/AC
Operating and storage temperature .....	-25 to +55 °C
Operating and storage humidity .....	45 to 85 % RH
Panel thickness .....	0.5 ~ 6 mm
Sound intensity .....	≥75 dB (1m)
Cap material .....	ABS
Body material .....	ABS

This is a publication by Conrad Electronic SE, Klaus-Conrad-Str. 1, D-92240 Hirschau ([www.conrad.com](http://www.conrad.com)).  
 All rights including translation reserved. Reproduction by any method, e.g. photocopy, microfilming, or the capture in electronic data processing systems require the prior written approval by the editor. Reprinting, also in part, is prohibited. This publication represents the technical status at the time of printing.

© Copyright 2017 by Conrad Electronic SE.