

## Red Dot Lasermodule

DI650-1-3(8x21)-ADJ

Order Number: 70103786

Main Parameters (*)	min	typ	max	Unit
Wavelength		650		nm
Optical Output Power		1		mW
Operating Voltage	2.7	3	3.3	V DC
Operating Current	10	20	30	mA
Operating Temperature	-20		50	°C
Storage Temperature	-40		80	°C

### Optical Parameters

Beam Shape	Dot
Laser Class	2
Divergence	1.5mrad
Size of Laserdot	adjustable
Operating Distance	10m
Optics	glass lens AR coated
Laser technology	Single Mode Diode
Focus	adjustable

### Technical Parameters

Lifetime	>5000h
RoHS	yes

### Electrical Parameters

Potential of Housing	isolated
Power Supply	LFNT-3

### Mechanical Parameters

Size	Ø8x21mm
Material	aluminium
Cable length	100mm
Wire type	26AWG, 0,14mm <sup>2</sup>
Output Aperture	2mm
Housing Color	black
Weight	3.4g
Stripping of wire	5mm

(\*) Over the complete operating temperature range

### Features





- Laser Class 2
- Operating Voltage 3V DC
- Adjustable focus
- Glas lenses anti reflex coated
- Compact size

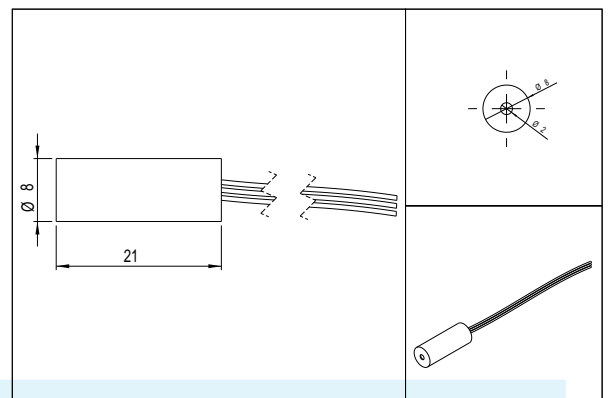
### Picture



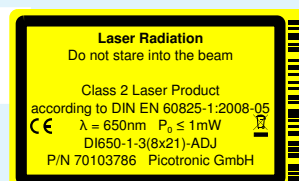
### Cable Colors

Ground		blue	GND
Positive		red	2.7 - 3.3, typ 3V DC

### Drawing



### Safety Label



### Revision

REV 8 | 16-JUL-2014