

Modulated Red Dot Lasermodule

MI650-1-5(8x21)

Order Number: 70103250

| Main Parameters (*) | min | typ | max | Unit |
|-----------------------|-----|-----|-----|------|
| Wavelength | | 650 | | nm |
| Optical Output Power | | 1 | | mW |
| Operating Voltage | 4.5 | 5 | 5.5 | V DC |
| Operating Current | 10 | 20 | 35 | mA |
| Operating Temperature | -20 | | 50 | °C |
| Storage Temperature | -40 | | 80 | °C |

Optical Parameters

| | |
|--------------------|----------------------|
| Beam Shape | Dot |
| Laser Class | 2 |
| Divergence | 1.5mrad |
| Beam Diameter | 2mm |
| Size of Laserdot | <3..5mm@5m |
| Operating Distance | 10m |
| Optics | glass lens AR coated |
| Laser technology | Single Mode Diode |
| Focus | fixed (5000mm) |

Technical Parameters

| | |
|----------|--------|
| Lifetime | >5000h |
| RoHS | yes |

Electrical Parameters

| | |
|----------------------|--------------|
| Potential of Housing | isolated |
| Max. Mod. Frequency | 100Kilohertz |

Mechanical Parameters

| | |
|-------------------|----------------------------|
| Size | Ø8x21mm |
| Material | aluminium |
| Cable length | 100mm |
| Wire type | 26AWG, 0,14mm ² |
| Output Aperture | 2mm |
| Housing Color | black |
| Weight | 1.5g |
| Stripping of wire | 5mm |

(*) Over the complete operating temperature range

Features



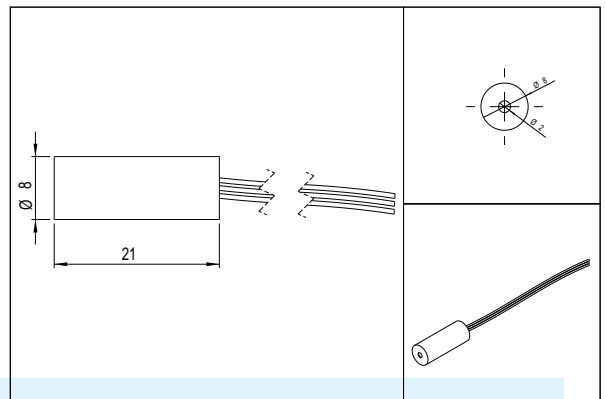
Picture



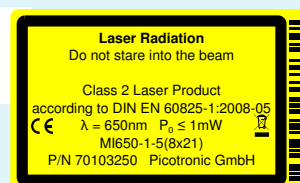
Cable Colors

| | | | |
|------------|---|--------|----------------------|
| Ground |  | black | GND |
| Positive |  | red | 4.5 - 5.5, typ 5V DC |
| Modulation |  | yellow | 100Kilohertz |

Drawing



Safety Label



Revision

REV 2 | 21-JUL-2014