

## Green Dot Lasermodule

DD532-1-3(20x80)

Order Number: 70100853

Main Parameters (*)	min	typ	max	Unit
Wavelength		532		nm
Optical Diode Power		1		mW
Operating Voltage	2.7	3	3.3	V DC
Operating Current	100	160	300	mA
Operating Temperature	15		30	°C
Storage Temperature	-40		80	°C

### Optical Parameters

Beam Shape	Dot
Laser Class	2
Divergence	0.5mrad
Beam Diameter	3.5mm
Size of Laserdot	<4mm@10m
Operating Distance	50m
Optics	glass lens AR coated
Beam Mode	TEM00
Laser technology	Solid State (YVO4+KTP)
Stability	+/- 20% @ 15-30C
Focus	fixed (10000mm)
Warm up time	<15min

### Technical Parameters

Lifetime	>5000h
RoHS	yes

### Electrical Parameters

Potential of Housing	isolated
Power Supply	LFNT-3

### Mechanical Parameters

Size	Ø20x80mm
Material	aluminium
Cable length	100mm
Wire type	26AWG, 0,14mm <sup>2</sup>
Output Aperture	5mm
Housing Color	black
Weight	55g
Stripping of wire	5mm

(\*) Over the complete operating temperature range

### Features





- Operating Voltage 3V DC
- For medical devices
- Laser Class 2
- Image processing
- Compact size

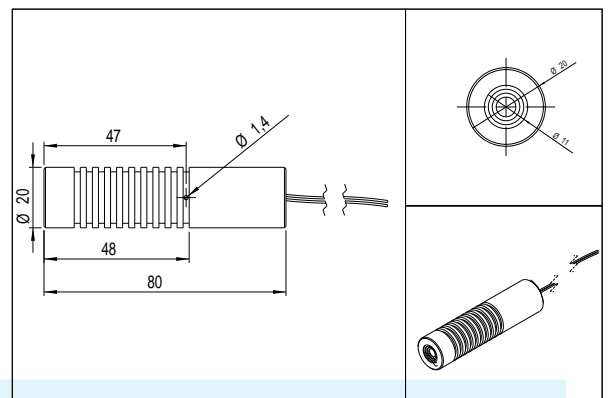
### Picture



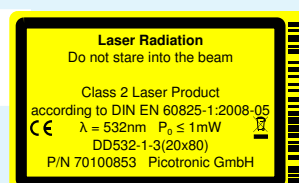
### Cable Colors

Ground		blue	GND
Positive		red	2.7 - 3.3, typ 3V DC

### Drawing



### Safety Label



### Revision

REV 1 | 13-OCT-2014