

Red Dot Lasermodule

DI650-0.4-3(8x21)-AP

Order Number: 70121582

Main Parameters (*)	min	typ	max	Unit
Wavelength	640	650	660	nm
Optical Output Power	0.3	0.4	0.4	mW
Operating Voltage	2.7	3	3.3	V DC
Operating Current	10	18	30	mA
Operating Temperature	-20		50	°C
Storage Temperature	-40		80	°C

Optical Parameters

Beam Shape	Dot
Laser Class	1
Divergence	1.5mrad
Beam Diameter	2mm
Size of Laserdot	<3..5mm@5m
Operating Distance	10m
Optics	glass lens AR coated
Laser technology	Single Mode Diode
Axial Divergence	±0.25°
Focus	fixed (5000mm)

Technical Parameters

Lifetime	>5000h
RoHS	yes

Electrical Parameters

Potential of Housing	isolated
Power Supply	LFNT-3

Mechanical Parameters

Size	Ø8x21mm
Material	aluminium
Cable length	100mm
Wire type	26AWG, 0,14mm ²
Output Aperture	2.5mm
Housing Color	silver
Weight	3g

(*) Over the complete operating temperature range

Features





- Axial parallel
- Low power consumption
- Compact size
- Laser Class 1
- Operating Voltage 3V DC

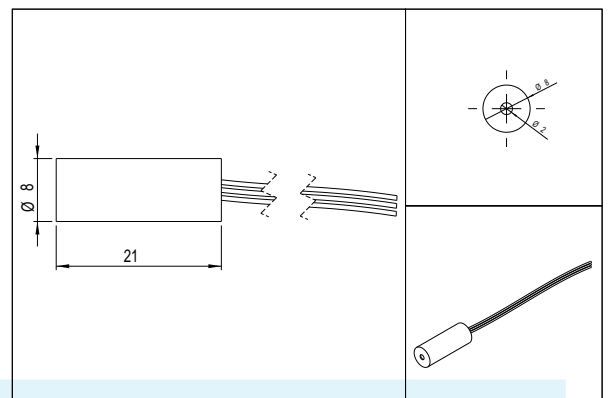
Picture



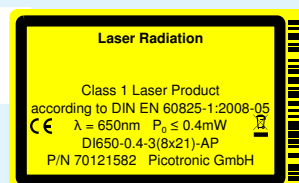
Cable Colors

Ground		blue	GND
Positive		red	2.7 - 3.3, typ 3V DC

Drawing



Safety Label



Revision

| 13-NOV-2014