

Red Cross Lasermodule

CB635-5-6(16x45)-F500-PL-C1000

Order Number: 70106763

Main Parameters (*)	min	typ	max	Unit
Wavelength		635		nm
Optical Output Power		5		mW
Operating Voltage	5.4	6	6.6	V DC
Operating Current	25	47	75	mA
Operating Temperature	-20		50	°C
Storage Temperature	-40		80	°C

Optical Parameters

Beam Shape	Cross
Laser Class	1
Divergence	0.3mrad
Fan Angle	90°
Line Thickness	<0.5mm@0.5m
Operating Distance	0.5m
Optics	glass lens AR coated
Laser technology	Single Mode Diode
Protection Lens	yes
Focus	fixed (500mm)
Verticality	< ±0.5°

Technical Parameters

Lifetime	>5000h
RoHS	yes

Electrical Parameters

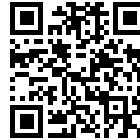
Potential of Housing	isolated
Power Supply	LFNT-6

Mechanical Parameters

Size	Ø16x45mm
Material	aluminium
Cable length	1000mm
Wire type	22AWG, black, 3,6mm
Output Aperture	6.8mm
Housing Color	black
Weight	45g
Stripping of wire	5mm
Stripping of cable cover	50mm

(*) Over the complete operating temperature range

Features





- Compact size
- Image processing
- Low power consumption
- Uniform line thickness
- Laser Class 1

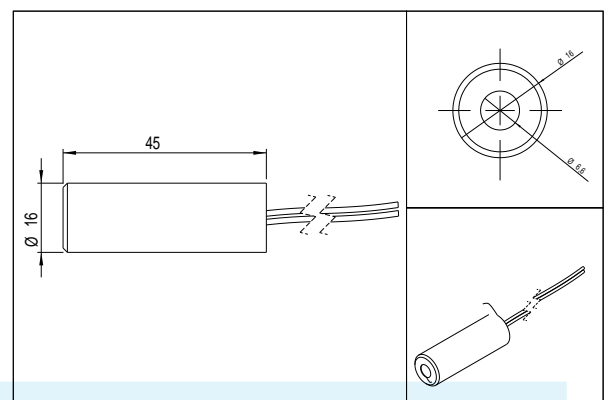
Picture



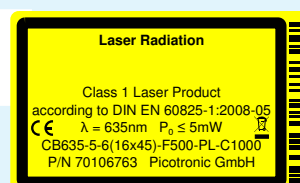
Cable Colors

Ground		black	GND
Positive		red	5.4 - 6.6, typ 6V DC

Drawing



Safety Label



Revision

REV 1 | 05-AUG-2014