

Red Line Lasermodule

LC635-3-4.5(12x32)

Order Number: 70102758

Main Parameters (*)	min	typ	max	Unit
Wavelength		635		nm
Optical Output Power		3		mW
Operating Voltage	4.05	4.5	4.95	V DC
Operating Current	15	28	45	mA
Operating Temperature	-20		50	°C
Storage Temperature	-40		80	°C

Optical Parameters

Beam Shape	Line
Laser Class	1
Divergence	0.4mrad
Fan Angle	90°
Line Thickness	<1.5mm@3m
Operating Distance	3m
Optics	glass lens AR coated
Laser technology	Single Mode Diode
Focus	fixed (3000mm)

Technical Parameters

Lifetime	>5000h
RoHS	yes

Electrical Parameters

Potential of Housing	VDD(+)
----------------------	--------

Mechanical Parameters

Size	Ø12x32mm
Material	Brass
Cable length	100mm
Wire type	26AWG, 0,14mm ²
Output Aperture	5.5mm
Housing Color	black
Weight	19g
Stripping of wire	5mm

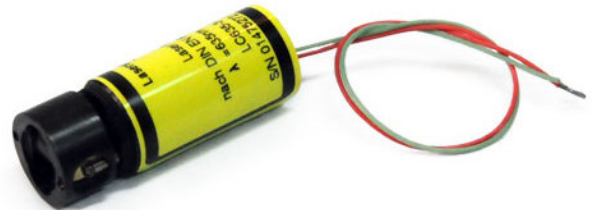
(*) Over the complete operating temperature range

Features





- Operating Voltage 4.5V DC
- Laser Class 1
- Uniform line thickness
- Fixed focus
- Glas lenses anti reflex coated

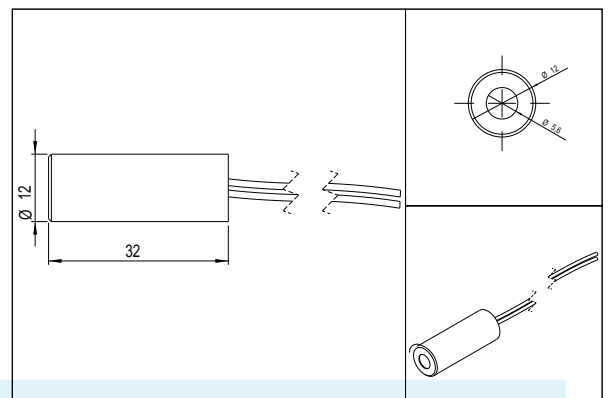
Picture



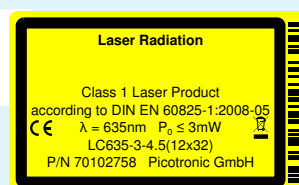
Cable Colors

Ground		green	GND
Positive		red	4.05 - 4.95, typ 4.5V DC

Drawing



Safety Label



Revision

REV 6 | 30-OCT-2014