

Green Dot Lasermodule

DD532-1-3(16x60)-AP-C300

Order Number: 70108859

Main Parameters (*)	min	typ	max	Unit
Wavelength		532		nm
Optical Output Power		1		mW
Operating Voltage	2.7	3	3.3	V DC
Operating Current	100	250	350	mA
Operating Temperature	15		30	°C
Storage Temperature	-40		80	°C

Optical Parameters

Beam Shape	Dot
Laser Class	2
Divergence	0.5mrad
Beam Diameter	5mm
Size of Laserdot	<5mm@10m
Operating Distance	100m
Optics	glass lens AR coated
Beam Mode	TEM00
Laser technology	Solid State (YVO4+KTP)
Stability	+/- 20% @ 15-30C
Axial Divergence	±0.25°
Focus	fixed (10000mm)
Warm up time	<15min

Technical Parameters

Lifetime	>5000h
RoHS	yes

Electrical Parameters

Potential of Housing	isolated
Power Supply	LFNT-3

Mechanical Parameters

Size	Ø16x60mm
Material	aluminium
Cable length	300mm
Wire type	26AWG, 0,14mm ²
Output Aperture	5mm
Housing Color	black
Weight	35g
Stripping of wire	5mm

(*) Over the complete operating temperature range

Features





- Laser Class 2
- Operating Voltage 3V DC
- Image processing
- Compact size
- Glas lenses anti reflex coated

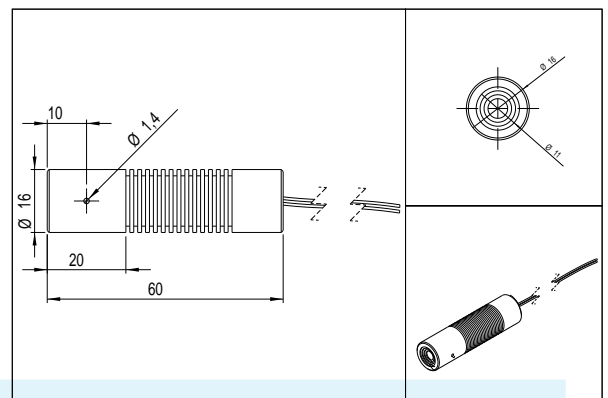
Picture



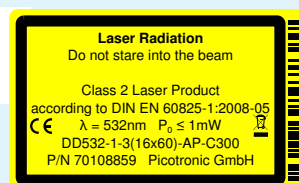
Cable Colors

Ground		blue	GND
Positive		red	2.7 - 3.3, typ 3V DC

Drawing



Safety Label



Revision

REV 6 | 04-AUG-2014