

## Red Cross Lasermodule

CB635-2-24(16x45)10DEG-F1000

Order Number: 70122183

Main Parameters (*)	min	typ	max	Unit
Wavelength	630	635	640	nm
Optical Output Power	1.5	2	3	mW
Operating Voltage	23.4	24	24.5	V DC
Operating Current	10	20	40	mA
Operating Temperature	-20		50	°C
Storage Temperature	-40		80	°C

### Optical Parameters

Beam Shape	Cross
Laser Class	1
Divergence	0.3mrad
Fan Angle	10°
Line Thickness	<1mm@1m
Operating Distance	1m
Optics	glass lens AR coated
Laser technology	Single Mode Diode
Protection Lens	no
Focus	fixed (1000mm)
Verticality	< ±0.5°

### Technical Parameters

Lifetime	>5000h
RoHS	yes

### Electrical Parameters

Potential of Housing	isolated
----------------------	----------

### Mechanical Parameters

Size	Ø16x45mm
Material	aluminium
Cable length	100mm
Wire type	Belden, Typ 1007, 26AWG
Output Aperture	6.8mm
Housing Color	black
Weight	23.5g
Stripping of wire	5mm

(\*) Over the complete operating temperature range

### Features





- Operating Voltage 24V DC
- Laser Class 1
- Fan angle 10°
- Uniform line thickness
- Fixed focus

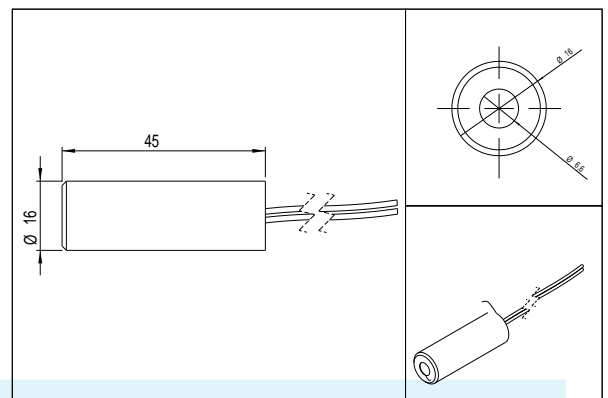
### Picture



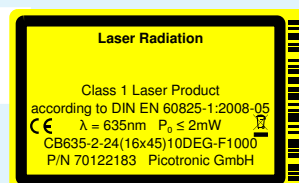
### Cable Colors

Ground		black	GND
Positive		red	23.4 - 24.5, typ 24V DC

### Drawing



### Safety Label



### Revision

| 13-NOV-2014