

Green Line Lasermodule

LC532-5-3-F(16x65)

Order Number: 70104387

Main Parameters (*)	min	typ	max	Unit
Wavelength		532		nm
Optical Output Power		5		mW
Operating Voltage	2.7	3	3.3	V DC
Operating Current	125	250	375	mA
Operating Temperature	15		30	°C
Storage Temperature	-40		80	°C

Optical Parameters

Beam Shape	Line
Laser Class	1
Divergence	0.4mrad
Fan Angle	90°
Line Thickness	adjustable
Operating Distance	3m
Optics	glass lens AR coated
Beam Mode	TEM00
Laser technology	YVO4+KTP
Stability	+/- 10% @ 15-30C
Focus	adjustable
Warm up time	<15min

Technical Parameters

Lifetime	>5000h
RoHS	yes

Electrical Parameters

Potential of Housing	isolated
----------------------	----------

Mechanical Parameters

Size	Ø16x65mm
Material	aluminium
Cable length	100mm
Wire type	Belden, Typ 1007, 26AWG
Output Aperture	5mm
Housing Color	black
Weight	33g
Stripping of wire	5mm

(*) Over the complete operating temperature range

Features





- Image processing
- Uniform line thickness
- Laser Class 1
- Operating Voltage 3V DC
- Adjustable focus

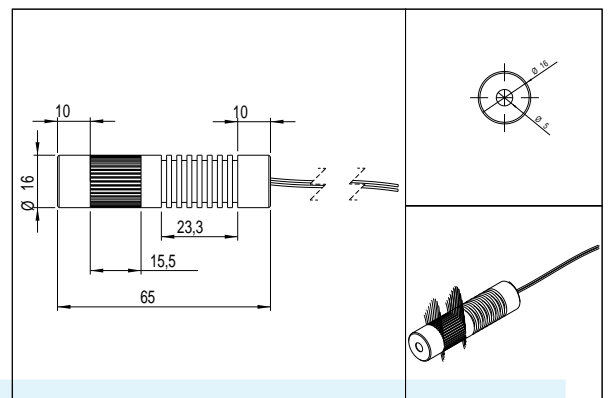
Picture



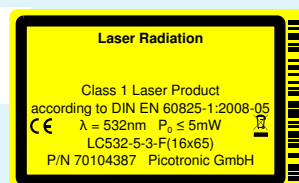
Cable Colors

Ground		blue	GND
Positive		red	2.7 - 3.3, typ 3V DC

Drawing



Safety Label



Revision

REV 18 | 11-JUL-2014