

Red Dot Lasermodule

DC650-0.4-3(8x25)

Order Number: 70114843

Main Parameters (*)	min	typ	max	Unit
Wavelength		650		nm
Optical Output Power		0.4		mW
Operating Voltage	2.7	3	3.3	V DC
Operating Current	10	18	30	mA
Operating Temperature	-20		50	°C
Storage Temperature	-40		80	°C

Optical Parameters

Beam Shape	Dot
Laser Class	1
Divergence	0.4mrad
Size of Laserdot	adjustable
Operating Distance	5m
Optics	glass lens AR coated
Laser technology	Single Mode Diode
Focus	adjustable

Technical Parameters

Lifetime	>5000h
RoHS	yes

Electrical Parameters

Potential of Housing	isolated
Power Supply	LFNT-3

Mechanical Parameters

Size	Ø8x25mm
Material	aluminium
Cable length	100mm
Wire type	26AWG, 0,14mm ²
Output Aperture	3.5mm
Housing Color	black
Weight	3.5g
Stripping of wire	5mm

(*) Over the complete operating temperature range

Features





- Operating Voltage 3V DC
- Laser Class 1
- Low power consumption
- Compact size
- Adjustable focus

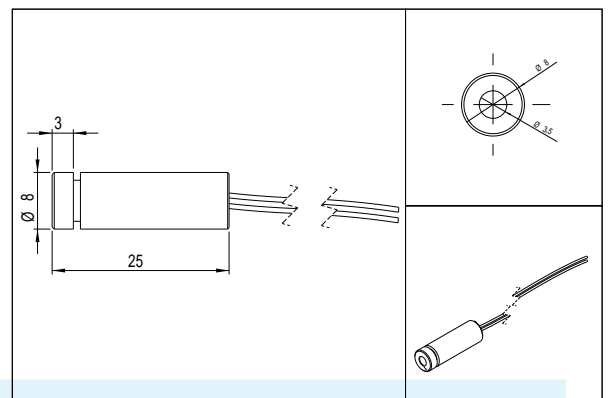
Picture



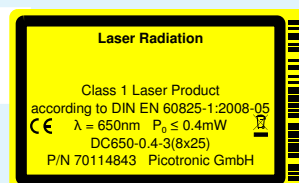
Cable Colors

Ground		blue	GND
Positive		red	2.7 - 3.3, typ 3V DC

Drawing



Safety Label



Revision

REV 4 | 11-JUL-2014