

Red Cross Lasermodule

CB635-2-3(16x45)-F1000

Order Number: 70105346

Main Parameters (*)	min	typ	max	Unit
Wavelength		635		nm
Optical Output Power		2		mW
Operating Voltage	2.7	3	3.3	V DC
Operating Current	15	31	45	mA
Operating Temperature	-20		50	°C
Storage Temperature	-40		80	°C

Optical Parameters

Beam Shape	Cross
Laser Class	1
Divergence	0.3mrad
Fan Angle	90°
Line Thickness	<0.4mm@1m
Operating Distance	1m
Optics	glass lens AR coated
Laser technology	Single Mode Diode
Protection Lens	yes
Focus	fixed (1000mm)
Verticality	< ±0.5°

Technical Parameters

Lifetime	>5000h
RoHS	yes

Electrical Parameters

Potential of Housing	isolated
Power Supply	LFNT-3

Mechanical Parameters

Size	Ø16x45mm
Material	aluminium
Cable length	100mm
Wire type	Belden, Typ 1007, 26AWG
Output Aperture	6.8mm
Housing Color	black
Weight	23g
Stripping of wire	5mm

(*) Over the complete operating temperature range

Features





- Operating Voltage 3V DC
- Laser Class 1
- For medical devices
- Fan angle 90°
- Uniform line thickness

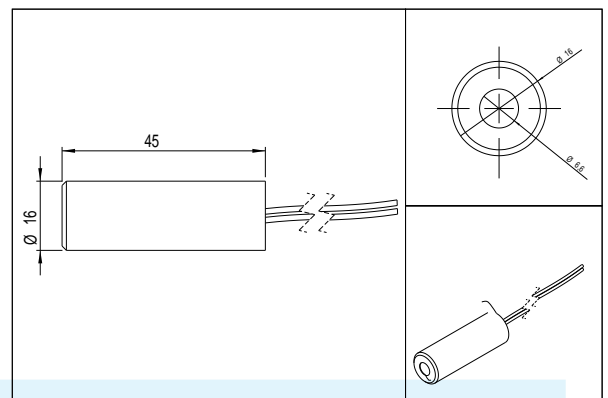
Picture



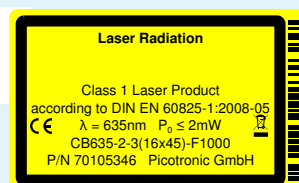
Cable Colors

Ground		black	GND
Positive		red	2.7 - 3.3, typ 3V DC

Drawing



Safety Label



Revision

REV 5 | 21-JUL-2014