

## Modulated Red Line Lasermodule

MLH650-16-5(16x45)

Order Number: 70101942

Main Parameters (*)	min	typ	max	Unit
Wavelength		650		nm
Optical Output Power		16		mW
Operating Voltage	4.5	5	5.5	V DC
Operating Current	40	65	85	mA
Operating Temperature	-20		50	°C
Storage Temperature	-40		80	°C

### Optical Parameters

Beam Shape	Line
Laser Class	2
Divergence	1mrad
Fan Angle	90°
Line Thickness	<1.5mm@3m
Operating Distance	5m
Optics	glass lens AR coated
Laser technology	Single Mode Diode
Focus	fixed (3000mm)

### Technical Parameters

Lifetime	>5000h
RoHS	yes

### Electrical Parameters

Potential of Housing	isolated
Max. Mod. Frequency	100Kilohertz
Power Supply	LFNT-5

### Mechanical Parameters

Size	Ø16x45mm
Material	aluminium
Cable length	100mm
Wire type	Belden, Typ 1007, 26AWG
Output Aperture	5.5mm
Housing Color	black
Weight	22g
Stripping of wire	5mm

(\*) Over the complete operating temperature range

### Features



- Operating Voltage 5V DC
- Laser Class 2
- Fan angle 90°
- Uniform line thickness
- Modulated

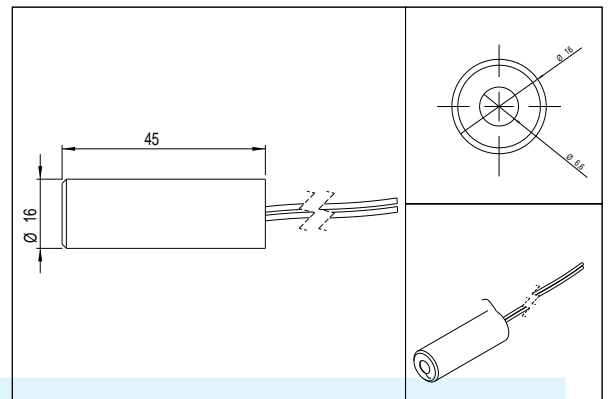
### Picture



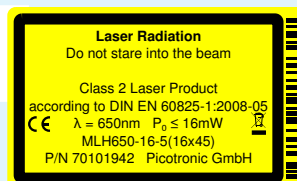
### Cable Colors

Ground		black	GND
Positive		red	4.5 - 5.5, typ 5V DC
Modulation		yellow	100Kilohertz

### Drawing



### Safety Label



### Revision

REV 5 | 06-AUG-2014