

## Green Line Lasermodule

LD532-5-3(20x80)45-PL  
Order Number: 70104714

Main Parameters (*)	min	typ	max	Unit
Wavelength		532		nm
Optical Output Power		5		mW
Operating Voltage	2.7	3	3.3	V DC
Operating Current	100	190	350	mA
Operating Temperature	15		30	°C
Storage Temperature	-40		80	°C

### Optical Parameters

Beam Shape	Line
Laser Class	1
Divergence	0.5mrad
Fan Angle	45°
Line Thickness	<1.5mm@3m
Operating Distance	3m
Optics	glass lens AR coated
Beam Mode	TEM00
Laser technology	Solid State (YVO4+KTP)
Stability	+/- 10% @ 15-30C
Protection Lens	yes
Focus	fixed (3000mm)
Warm up time	<15min

### Technical Parameters

Lifetime	>5000h
RoHS	yes

### Electrical Parameters

Potential of Housing	isolated
----------------------	----------

### Mechanical Parameters

Size	Ø20x80mm
Material	aluminium
Cable length	100mm
Wire type	26AWG, 0,14mm <sup>2</sup>
Output Aperture	5mm
Housing Color	black
Weight	55g
Stripping of wire	5mm

(\*) Over the complete operating temperature range

### Features





- Operating Voltage 3V DC
- Laser Class 1
- Fan angle 45°
- Uniform illumination
- Uniform line thickness

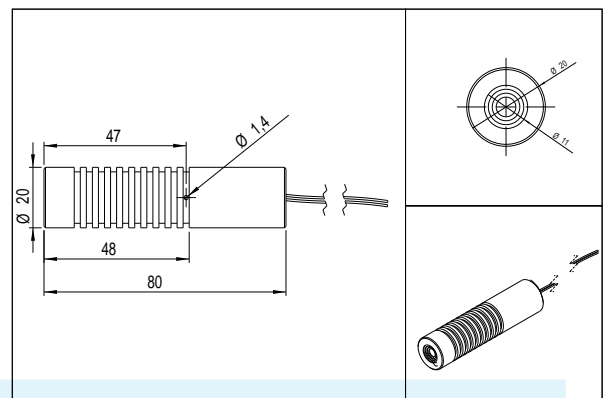
### Picture



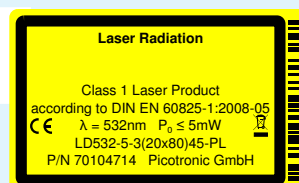
### Cable Colors

Ground		black	GND
Positive		red	2.7 - 3.3, typ 3V DC

### Drawing



### Safety Label



### Revision

REV 10 | 13-NOV-2014