

## Red Line Lasermodule

LD635-3-24(14x45)45DEG-F100

Order Number: 70115932

| Main Parameters (*)   | min  | typ | max  | Unit |
|-----------------------|------|-----|------|------|
| Wavelength            |      | 635 |      | nm   |
| Optical Output Power  |      | 3   |      | mW   |
| Operating Voltage     | 21.6 | 24  | 26.4 | V DC |
| Operating Current     | 5    | 21  | 40   | mA   |
| Operating Temperature | -20  |     | 50   | °C   |
| Storage Temperature   | -40  |     | 80   | °C   |

### Optical Parameters

|                    |                      |
|--------------------|----------------------|
| Beam Shape         | Line                 |
| Laser Class        | 1                    |
| Divergence         | 0.5mrad              |
| Fan Angle          | 45°                  |
| Line Thickness     | <0.7mm@0.1           |
| Operating Distance | 0.1m                 |
| Optics             | glass lens AR coated |
| Laser technology   | Single Mode Diode    |
| Focus              | fixed (0mm)          |

### Technical Parameters

|          |        |
|----------|--------|
| Lifetime | >5000h |
| RoHS     | yes    |

### Electrical Parameters

|                      |          |
|----------------------|----------|
| Potential of Housing | isolated |
|----------------------|----------|

### Mechanical Parameters

|                          |                     |
|--------------------------|---------------------|
| Size                     | Ø14x45mm            |
| Material                 | aluminium           |
| Cable length             | 3000mm              |
| Wire type                | 22AWG, black, 3,6mm |
| Output Aperture          | 5.5mm               |
| Housing Color            | black               |
| Weight                   | 80g                 |
| Stripping of wire        | 5mm                 |
| Stripping of cable cover | 50mm                |

(\*) Over the complete operating temperature range

### Features





- Operating Voltage 24V DC
- Laser Class 1
- Fan angle 45°
- Compact size
- Uniform line thickness

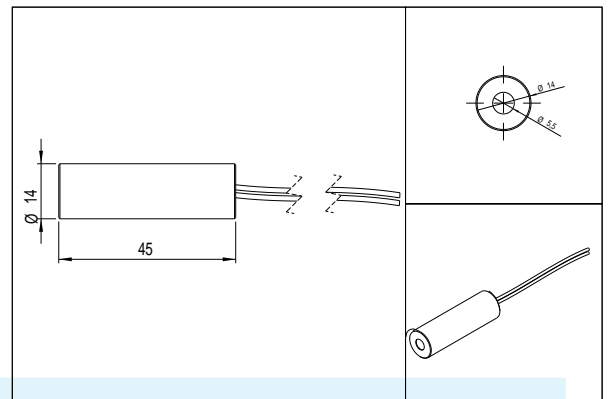
### Picture



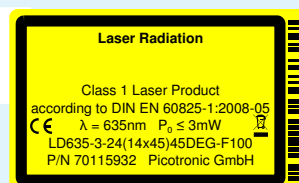
### Cable Colors

|          |                                                                                       |       |                         |
|----------|---------------------------------------------------------------------------------------|-------|-------------------------|
| Ground   |  | black | GND                     |
| Positive |  | white | 21.6 - 26.4, typ 24V DC |

### Drawing



### Safety Label



### Revision

REV 1 | 05-AUG-2014