

Green Line Lasermodule

LD532-5-3(20x80)-PL-C3000

Order Number: 70113501

Main Parameters (*)	min	typ	max	Unit
Wavelength		532		nm
Optical Output Power		5		mW
Operating Voltage	2.7	3	3.3	V DC
Operating Current	100	180	350	mA
Operating Temperature	15		30	°C
Storage Temperature	-40		80	°C

Optical Parameters

Beam Shape	Line
Laser Class	1
Divergence	0.5mrad
Fan Angle	90°
Line Thickness	<1.5mm@3m
Operating Distance	3m
Optics	glass lens AR coated
Beam Mode	TEM00
Laser technology	Solid State (YVO4+KTP)
Stability	+/- 20% @ 15-30C
Protection Lens	yes
Focus	fixed (3000mm)
Warm up time	<15min

Technical Parameters

Lifetime	>5000h
RoHS	yes

Electrical Parameters

Potential of Housing	isolated
Power Supply	LFNT-3

Mechanical Parameters

Size	Ø20x80mm
Material	aluminium
Cable length	3000mm
Wire type	22AWG, black, 3,6mm
Output Aperture	5mm
Housing Color	black
Weight	130g
Stripping of wire	5mm
Stripping of cable cover	50mm

(*) Over the complete operating temperature range

Features




- Compact size
- Uniform line thickness
- Operating Voltage 3V DC
- Laser Class 1
- Image processing

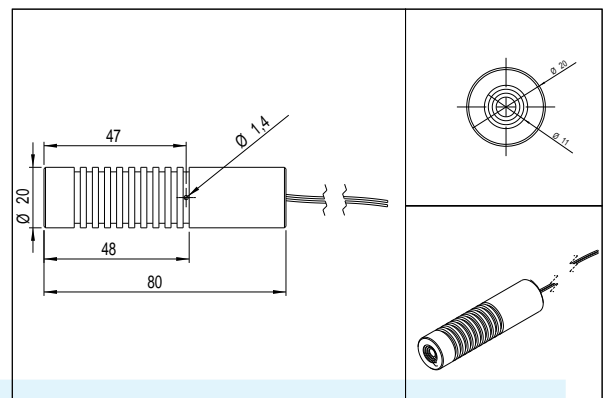
Picture



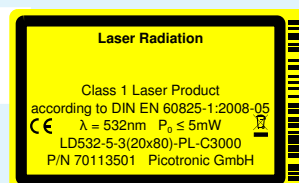
Cable Colors

Ground		black	GND
Positive		red	2.7 - 3.3, typ 3V DC

Drawing



Safety Label



Revision

REV 2 | 04-AUG-2014