

## Red Line Lasermodule

LD650-5-3(12x32)45

Order Number: 70104240

| Main Parameters (*)   | min | typ | max | Unit |
|-----------------------|-----|-----|-----|------|
| Wavelength            |     | 650 |     | nm   |
| Optical Output Power  |     | 5   |     | mW   |
| Operating Voltage     | 2.7 | 3   | 3.3 | V DC |
| Operating Current     | 15  | 34  | 45  | mA   |
| Operating Temperature | -20 |     | 50  | °C   |
| Storage Temperature   | -40 |     | 80  | °C   |

### Optical Parameters

|                    |                      |
|--------------------|----------------------|
| Beam Shape         | Line                 |
| Laser Class        | 1                    |
| Divergence         | 0.5mrad              |
| Fan Angle          | 45°                  |
| Line Thickness     | <1.5mm@3m            |
| Operating Distance | 5m                   |
| Optics             | glass lens AR coated |
| Laser technology   | Single Mode Diode    |
| Focus              | fixed (3000mm)       |

### Technical Parameters

|          |        |
|----------|--------|
| Lifetime | >5000h |
| RoHS     | yes    |

### Electrical Parameters

|                      |          |
|----------------------|----------|
| Potential of Housing | isolated |
| Power Supply         | LFNT-3   |

### Mechanical Parameters

|                   |                         |
|-------------------|-------------------------|
| Size              | Ø12x32mm                |
| Material          | aluminium               |
| Cable length      | 100mm                   |
| Wire type         | Belden, Typ 1007, 26AWG |
| Output Aperture   | 5.5mm                   |
| Housing Color     | black                   |
| Weight            | 17.6g                   |
| Stripping of wire | 5mm                     |

(\*) Over the complete operating temperature range

### Features





- Fan angle 45°
- Laser Class 1
- Operating Voltage 3V DC
- Uniform illumination
- Glass lenses anti reflex coated

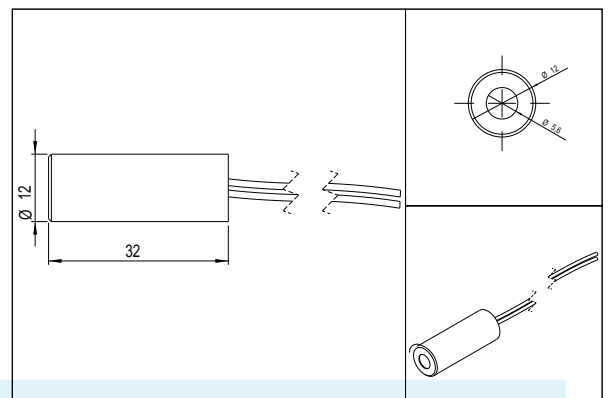
### Picture



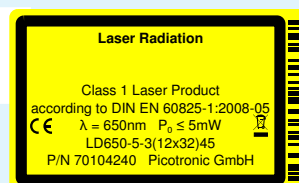
### Cable Colors

|          |   |       |                      |
|----------|---|-------|----------------------|
| Ground   |  | black | GND                  |
| Positive |  | red   | 2.7 - 3.3, typ 3V DC |

### Drawing



### Safety Label



### Revision

REV 3 | 30-JUL-2014